

Tools Required - 3/8" Socket Wrench

All illustrations show installation of right side assembly as viewed from back of wheelchair

1. Install U-Bolts and Stand-offs (Diagram A) When mounting on adjustable height chair, assemblies must be installed at axle in use.

Install one U-bolt above and one below the axle and slide stand-offs onto U-bolts as illustrated.

2. Install Resistance Assembly

Rotate black resistance adjusting knob counterclockwise to the end of the threads on the adjusting bolt as shown in **Diagram B**.

Rotate the Tension Override Lever as shown in **Diagram B**.

Refer to **Diagram C** to select the mounting holes based on tire diameter.

Loop the curved end of the resistance plate around the tire as illustrated in **Diagram D**. Using selected holes, install resistance assembly over U-bolts. Install locknuts as shown in **Diagram D**.

Tighten 4 locknuts while holding assembly in proper alignment with tire.

Release Tension Override Lever. Do not install Protective Cover yet.

Repeat Steps 1 and 2 for opposite side.

Tips for determining resistance setting

Determining the amount of resistance will be based on user specific factors such as strength, size and ability to gain momentum. In general, even a slight amount of drag on the wheels will prevent freewheeling in most environments. If the user tends to achieve unsafe speeds, a higher resistance setting may be desired. Greater resistance will also result in the user tiring after several attempts to propel rapidly. It will most likely require some testing, first with the installer and then with the user, to obtain the optimal settings.

3. Adjust Resistance (Diagram E)

If greater resistance is desired, turn both black adjusting knobs clockwise an equal number of turns. Test at various increments for desired resistance.

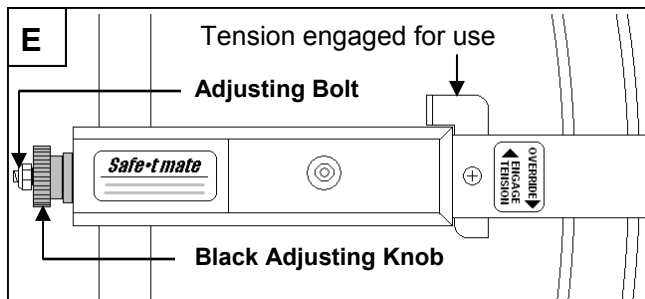
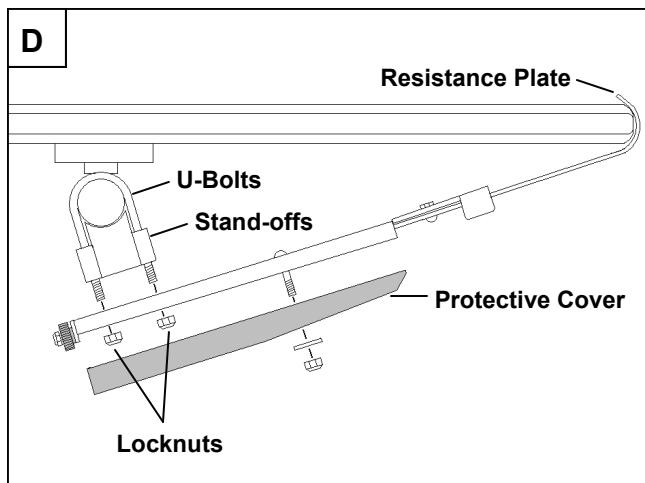
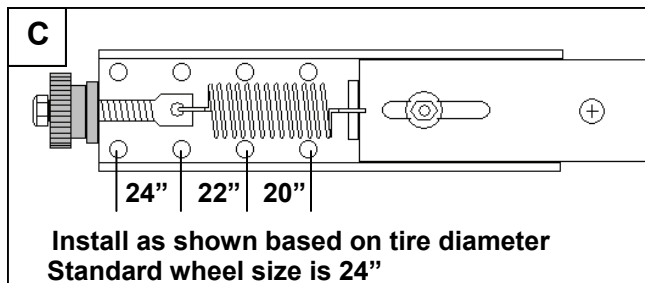
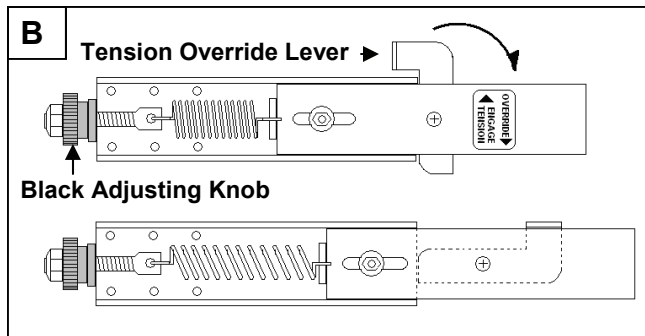
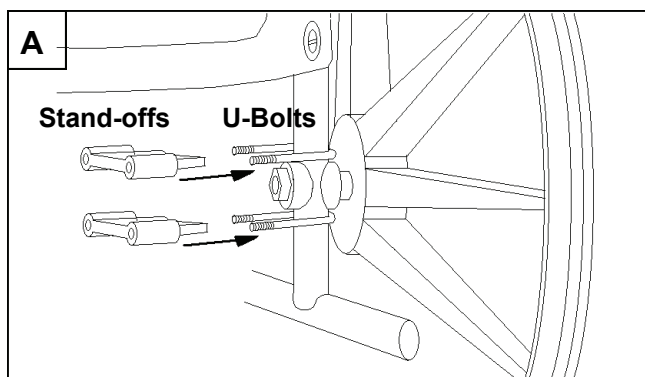
The maximum resistance setting has been reached when the adjusting knob springs back while turning.

4. Install both Protective Covers (Diagram D)

Using Temporary Tension Override Levers

When moving patient or transporting wheelchair, it may be desirable to release the tension on the resistance plates to make it easier to push the chair at a greater speed. Rotate levers down with foot or hand to override tension.

WARNING - Tension override levers MUST be rotated up to engage tension before leaving occupant unattended.



CAUTION

Not a substitute for hand brakes or proper supervision.
Check device periodically for appropriate setting.