

drive™

[www.drivemedical.com](http://www.drivemedical.com)

Aluminum Rehab Shower  
Commode Chair with  
Four Rear-locking Casters

item# NRS185007



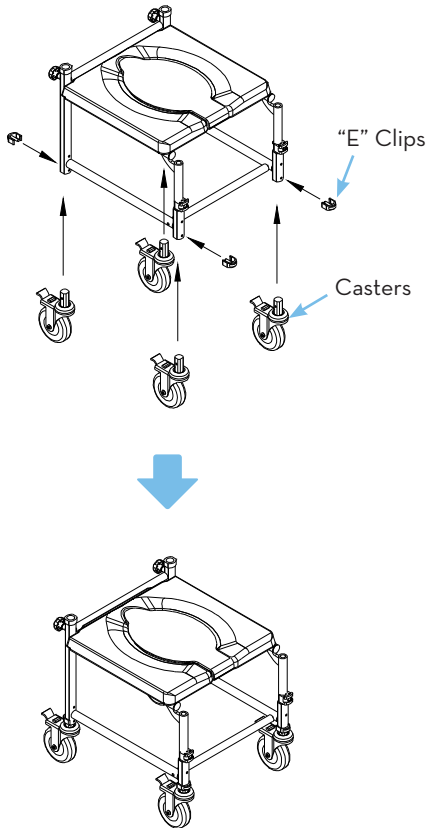
UDEM International  
Mutlukent Mahallesi 2073 Sokak  
(Eski 93 Sokak) No: 10 Cankaya,  
Ankara, Turkey

[www.drivemedical.com](http://www.drivemedical.com)

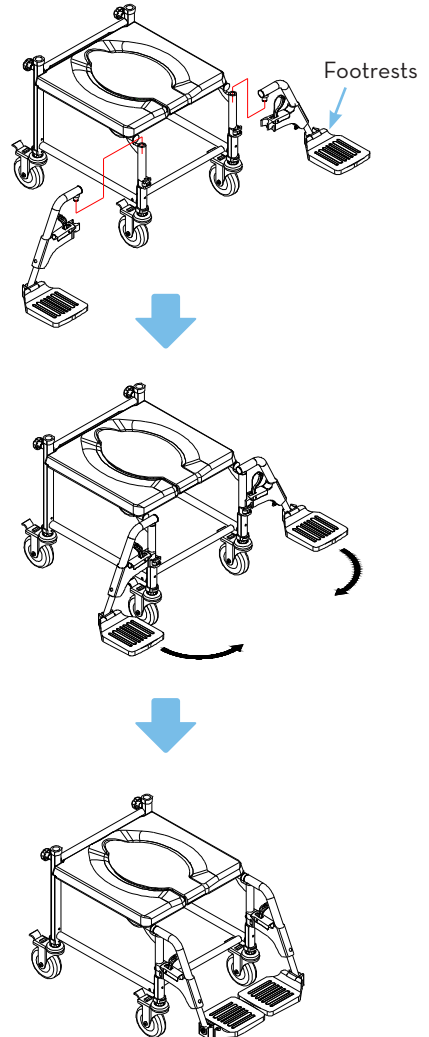
drive™

# Assembly Instructions

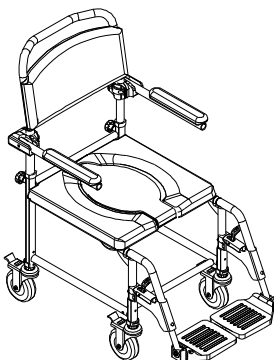
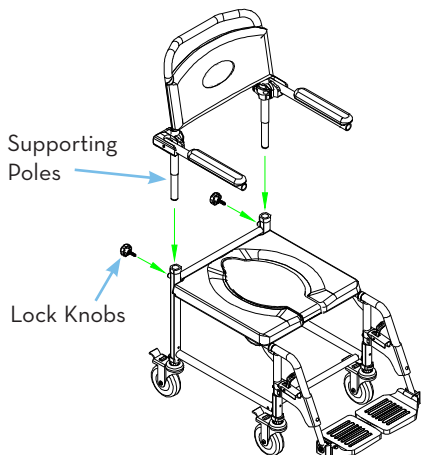
1. Remove the frame, backrest set, and headrest from carton
2. Insert the casters into the frame and use "E" clips to secure them in place.



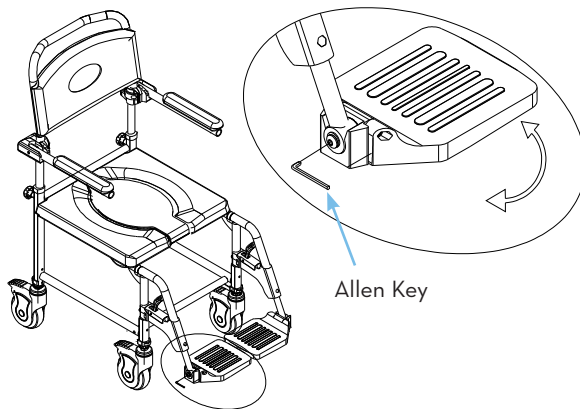
3. Assemble the footrests by inserting the footrests into the top of the front legs from the outside of the frame. Once inserted, turn the footrests inward until they lock in position.



4. Assemble the backrest by inserting the supporting poles into the back of seat frame. Secure in place using the lock knobs provided.



5. The angle of footplate is adjustable to fit the user. Using the allen key, loosen the screws by turning counter-clockwise, adjust the footplate to a suitable angle of footplate and re-tighten.



6. Slide commode bucket underneath seat into receptacle.
7. Remove cover over commode bucket before use.

## additional precautions

1. Toilet seat must be in down position before use. Failure to do so may result in damage to commode and possible injury.
2. Do NOT install commode without first reading and understanding this assembly and instruction sheet. If you can not understand these instructions, contact a healthcare provider or technical professional before attempting to install.
3. Inspect all parts for shipping damage before assembly. If there is shipping damage - DO NOT USE. Contact provider/carrier for further instructions.
4. Make certain that the “E” Clips protrude through the hole of each leg extension. This will ensure that the leg extensions are securely locked in position.
5. Ensure ALL screws, nuts and/or bolts are tightened.
6. Footrests can be folded up when not in use by folding the footplate upward, releasing the locking mechanism, and folding inward to the front of the chair.
7. Users with limited physical strength should be supervised or assisted while using commode.
8. Use the arm supports only for assistance. DO NOT attempt to use the arms to support full body weight.
9. Arms should be pushed back to assist in transfer onto/off the device.

**WEIGHT CAPACITY 275 LBS**

## maintenance

Drive recommends periodic visual inspection of this product by the user, to ensure that all parts and hardware are secure, that components are in good working order and not worn, torn, frayed, loose, or rusted and that there are no obstructions or impediments to normal, safe operation. If any part or mechanism appears to be unsafe or compromised, do not use the product. If you experience problems, please contact the provider that sold you the product or visit [www.drivemedical.com/help](http://www.drivemedical.com/help) for more info.

## lifetime limited warranty

Your Drive brand product is warranted to be free of defects in materials and workmanship for the lifetime of the original consumer purchaser.

This device was built to exacting standards and carefully inspected prior to shipment. This Lifetime Limited Warranty is an expression of our confidence in the materials and workmanship of our products and our assurance to the consumer of years of dependable service.

This warranty does not cover device failure due to owner misuse or negligence, or normal wear and tear. The warranty does not extend to non-durable components, such as rubber accessories, casters, and grips, which are subject to normal wear and need periodic replacement.

If you have a question about your Drive device or this warranty, please contact an authorized Drive dealer.



© 2022 Medical Depot, Inc. All rights reserved.  
Drive is a trademark of Medical Depot, Inc.  
Port Washington N.Y. 11050 USA Made in China