



Re-Order #	Description	Size	Unit
911546	Folding Mat	2" x 24" x 68"	Each
911536	Folding Mat	4" x 24" x 68"	Each
911545	Folding Mat	2" x 36" x 68"	Each
911535	Folding Mat	4" x 36" x 68"	Each
911540	Non-Folding Mat	2" x 36" x 68"	Each
911530	Non-Folding Mat	4" x 36" x 68"	Each

Purpose

Placed alongside a bed, the Soft-Fall Bedside Mat is intended to reduce the impact of a fall from bed. According to HCFA, bed rails are restraints if used "to keep a resident from voluntarily getting out of bed as opposed to enhancing mobility while in bed." When bed rails cannot be used, HCFA suggests, "Placing the bed lower to the floor and surrounding the bed with a soft mat."

Easy to Use

Place the Soft-Fall Bedside Mat on the floor next to the bed. Two mats will be required if both rail are in the lowered position.

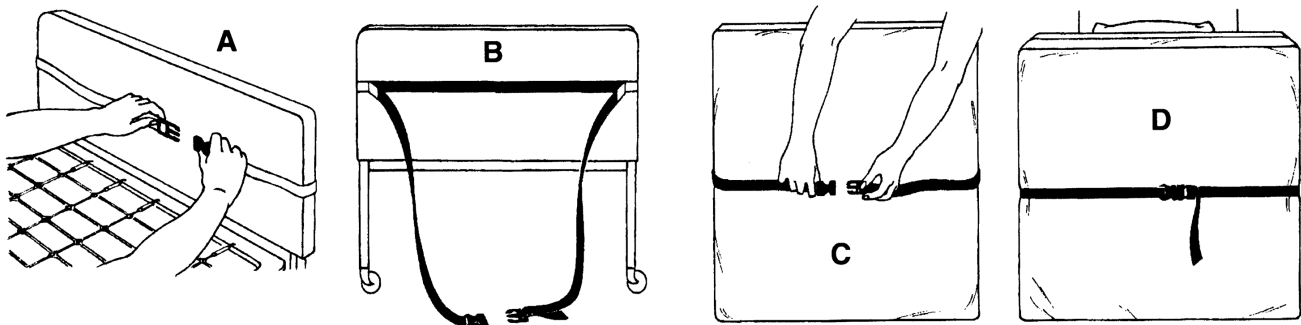
Important notice: When using the Folding SoftFall Mat, make certain to place it on the floor with the label reading THIS SIDE UP facing up.

Storage

The one-piece mat is sized to fit under the bed for storage. The folding mat may be stored by securing it to the bed's headboard or footboard, hanging it from a hook, or placing it in a closet.

To secure folding mat to bed:

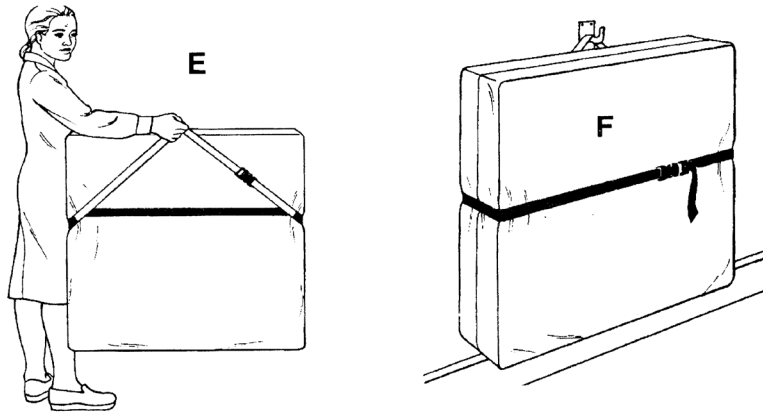
1. Secure buckle of WHITE strap behind headboard or footboard. (Illustration A) BLACK strap should be positioned in front of headboard or footboard. (Illustration B)
2. Place folded mat in front of headboard or footboard and secure buckle. (Illustration C)
3. Tighten strap. Be certain that folded mat does not block access to bed controls. (Illustration D)
4. Once the straps are secured to bed, they may be left in place when mat is in use.



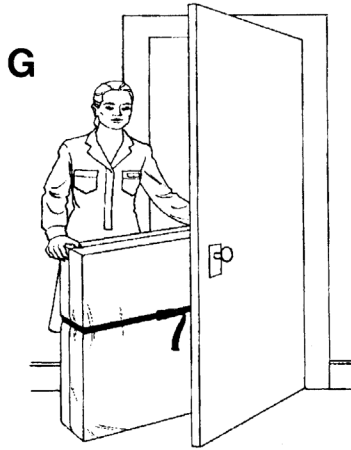
Turn over for more information

Storage (cont.)

For hanging storage: Secure and tighten BLACK strap around mat. Secure buckle on WHITE strap. (Illustration E) Place white strap over hook. The white strap must face wall for mat to hang flat. (Illustration F)



For closet storage: Secure and tighten BLACK strap around mat. Tighten WHITE strap to take up any slack. (Illustration G)



Important Notice

1. It is the responsibility of each facility's appropriate medical professionals to determine if the Soft-Fall Mat is suitable as an injury-prevention device for a specific resident.
2. To prevent staff members from stumbling, make certain that all staff members, especially those working at night, are informed that Soft-Fall Mat has been placed alongside a bed.

Easy Care

The Soft Fall Mat could be wiped clean with a spray and wipe cleanser. If disinfected, avoid using chlorine (bleach) chemicals.

Inspection

Inspect the cover before use. Do not use if the cover has cuts, rips cracks, or tears.