

ULTRA-CUSHION

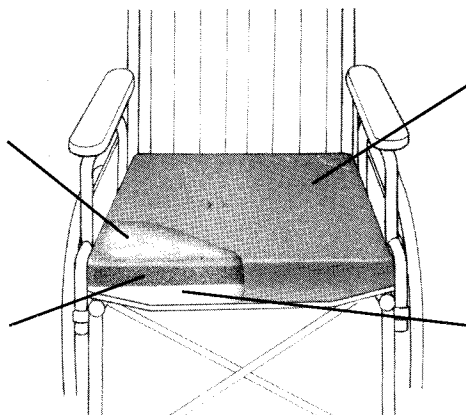
| Description | Cover | Size (inches) | Reorder # | Size (inches) | Reorder # | Size (inches) | Reorder # |
|------------------|---------------|---------------|-----------|---------------|-----------|---------------|-----------|
| Foam Cushion | Vinyl Only | 16 x 16 x 3½ | 754312 ☐ | 16 x 18 x 3½ | 754310 ☐ | 16 x 20 x 3½ | 754314 ☐ |
| Foam Cushion | Vinyl w/Cloth | 16 x 16 x 3½ | 754322 ☐ | 16 x 18 x 3½ | 754320 ☐ | 16 x 20 x 3½ | 754324 ☐ |
| Gel-Foam Cushion | Vinyl w/Cloth | 16 x 16 x 4 | 754332 ☐ | 16 x 18 x 4 | 754330 ☐ | 16 x 20 x 4 | 754334 ☐ |

PURPOSE

The Ultra-Cushion is recommended for wheelchair-bound individuals who require a firm-foundation cushion. Available in both foam-only and gel-foam versions.

• **GEL DECREASES PRESSURE AND INCREASES COMFORT** For maximum pressure relief, Ultra-Cushions are available with a self-contained chamber of heat-dissipating gel that evenly distributes resident's weight.

• **PROVIDES COMFORT** An ample layer of pliant high-density foam offers maximum cushioning for resident comfort.



• **URINE CAN'T PENETRATE COVER** The Ultra-Cushion is protected by a factory-sealed, incontinent-proof vinyl cover.

• **ELIMINATES WHEELCHAIR SEAT HAMMOCKING** Noncompressing firm foam foundation eliminates the sling-seat hammocking that causes spinal pressure. The contoured foundation rests below wheelchair seat frame—your resident sits lower in the chair.

IMPORTANT SAFETY FEATURE

All Ultra-Cushion covers—vinyl or cloth—have tie cords that prevent the cushion from slipping off the wheelchair seat. For user safety, these cords must be secured to the wheelchair frame.

COVER CARE INSTRUCTIONS

Vinyl covers may be cleaned with a mild spray-type cleaner and damp cloth or sponge. Cloth covers can be removed for laundering. Do not launder or dry cloth covers at temperatures in excess of 180°F (82°C). Bleaching is not recommended.