

Rice Lake Mechanical Chair Scale

Unpacking Instructions

PN 172098, 172099

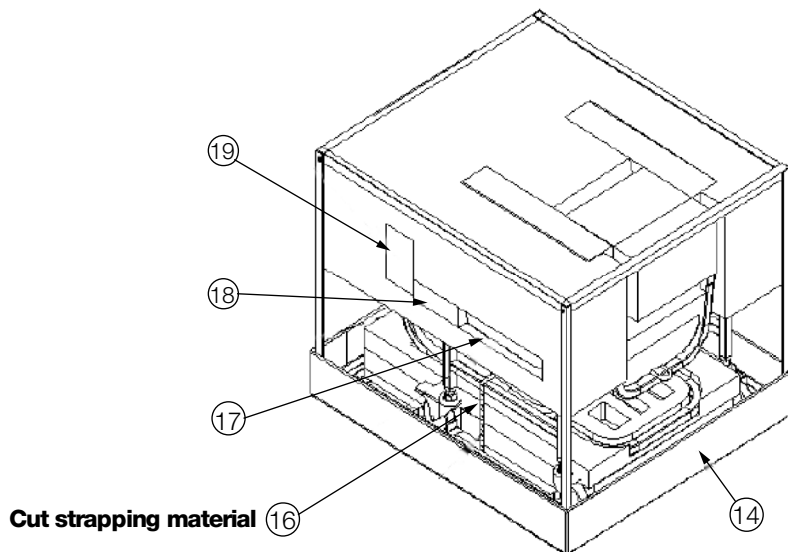
Please use the following instructions to unpack the Rice Lake Mechanical Chair Scale.

Equipment needed to unpack the scale includes:

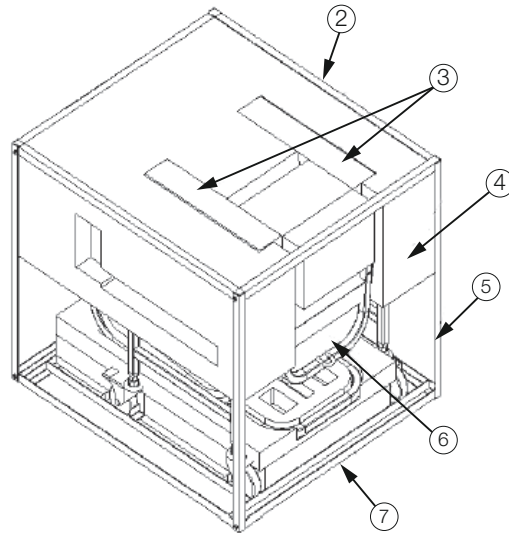
- Wire or box cutter to cut the strapping material
- Phillips head screw driver

There are various steps involved with removing the packaging material.

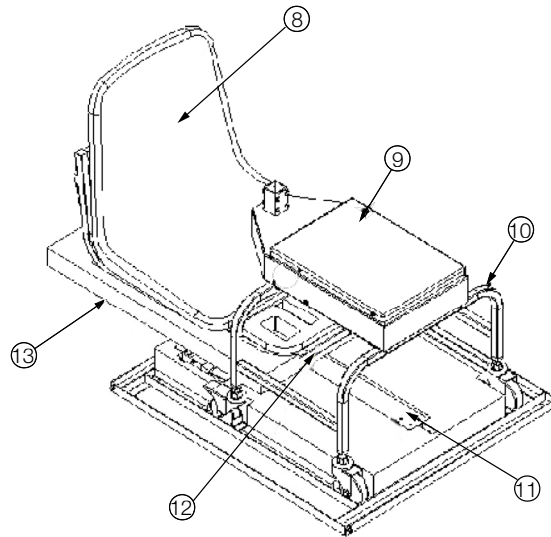
1. Visually inspect the packaging for any damage. If the packaging has been damaged in shipment, notify Rice Lake Weighing Systems and the shipper immediately.
2. Once the cardboard cover has been removed, take out the cardboard inserts (#18 and #19 - shown below), located at the two sides of the top cover.
3. Remove the arm rests (#17 - second armrest is located on opposite side of carton).
4. Cut the strapping material which holds the chair in place (#16).
5. Remove the bottom base cardboard packaging (#14).



6. Remove screws holding the four supporting upright iron frames (#5) and the connecting bottom metal frame (#7).
7. Unscrew and remove the upper iron support frame (#2) and lift off the four connecting iron supports (#5) that hold it together.
8. Remove the upper cover strip (#3).



9. Remove the footrest (#6).
10. Remove the upper cover packaging (#4).
11. All together, tilt the inside cardboard (#13), transport handle (#12) and molded chair (#8) upward. Then, remove from the assembly.



12. Remove the molded chair (#8) and then remove the transport handle (#12).
13. Remove the scale platform (#9) and the scale frame (#10) at the same time.
14. Remove the pillar (#13).
15. Retain the packaging material.



© Rice Lake Weighing Systems Specifications subject to change without notice.
Rice Lake Weighing Systems is an ISO 9001 registered company.

230 W. Coleman St. • Rice Lake, WI 54868 • USA
U.S. 800-472-6703 • Canada/Mexico 800-321-6703 • International 715-234-9171 • Europe +31 (0)26 472 1319

www.ricelake.com www.ricelake.mx www.ricelake.eu www.ricelake.co.in m.ricelake.com