



# Trilogi accessory guide

**PHILIPS**  
**RESPIRONICS**  
sense and simplicity



Light, versatile, and easy to use, Trilogy portable life-support ventilators are designed for use in the home and alternative care sites and provide noninvasive and invasive ventilator support with added sensitivity for a wide range of adult and pediatric patients (≥ 5 kg). Combining Trilogy's array of accessories, including a host of disposable circuits, with its advanced technology and reporting software, help to enhance patient ventilation synchrony as well as identify adjustments necessary to maintain effective treatment and improve patient care.

# Index

<b>Power options</b>	4
<b>Carry case and stand</b>	6
<b>DirectView</b>	8
<b>Circuit adapters</b>	10
<b>Disposable circuits</b>	12
Adult passive circuits	12
Adult passive circuit with water trap	13
Adult passive circuit, heated wire	14
Adult active circuit, no water trap	15
Adult active circuit, heated wire	16
Pediatric passive circuit	17
Pediatric passive circuit with water trap	18
Pediatric passive circuit, heated wire	19
Pediatric active circuit with water trap	20
Pediatric active circuit, heated wire	21
<b>Monitoring and alarms</b>	22
<b>Miscellaneous</b>	24
<b>Notes</b>	26

# Power options

Trilogy ventilators give patients a new level of freedom and mobility with a wide array of power options.

**Freedom and mobility**  
As a clinician, you want to make it possible for your patients to go to school, attend a ballgame, or just visit at grandma's house. Weighing only 11 pounds, and featuring a unique battery system of internal and easy-to-swap detachable batteries, Trilogy gives patients and their families a new level of freedom and mobility.



**1072182**

Detachable battery charger



**1067424**

Automotive DC power adapter



**1047295**

External battery cable



**1044760**

Powercord — 8'

**1069219**

Powercord — 14'



**1043570**

Detachable battery pack



# Carry case and stand

Portability is easy with Trilogy's in-use bag and mount stand for use at the bedside.

## Easy to use and maintain

The innovative technology of Trilogy sets it apart from the rest. The support, service and upkeep behind all of it keep it there. These include:

- a 24/7 call center staffed with clinical and technical support specialists to answer questions
- in-depth ventilation workshops
- educational training resources for both you and your patients
- patient-friendly displays
- Respironics service and support programs



**1040420**

Carry bag, in use



**1033709**

Carrying case



**1047410**

Small products roll stand



**1094043**

Circuit support arm kit

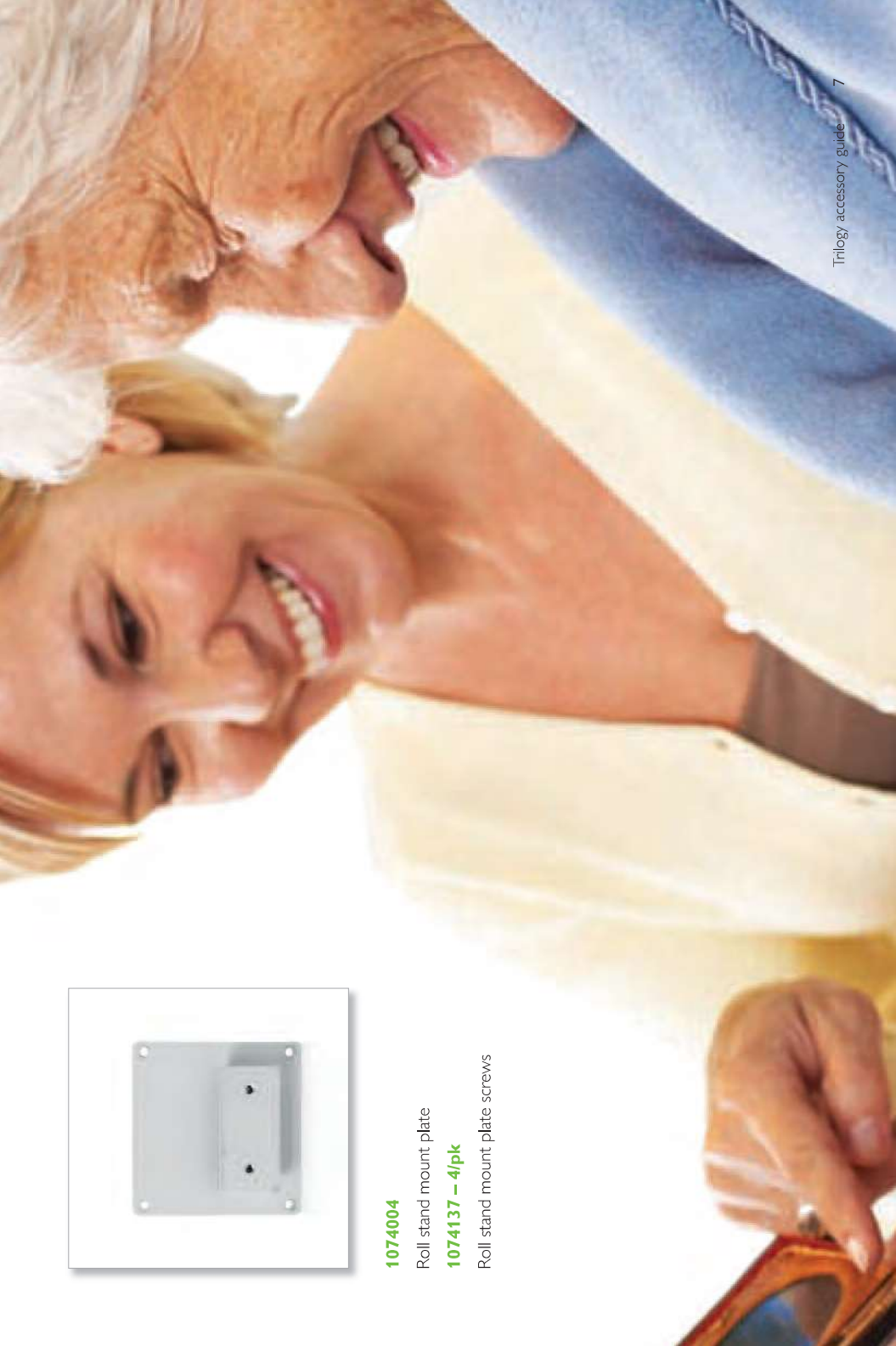


**1074004**

Roll stand mount plate

**1074137 – 4/pk**

Roll stand mount plate screws



# DirectView

DirectView reporting software offers a detailed view of ventilation data that can help you improve patient care.

## Patient monitoring

There are times when patients require changes in therapy.

Trilogy DirectView reporting software streamlines reporting to help you identify adjustments necessary to maintain effective treatment and allows prescription management through the use of an SD memory card.

DirectView offers:

- breath-by-breath waveforms
- short- and long-term trends
- statistics and patterns of usage
- fully customizable and easily exportable reports



**1051801**

SD card and case

**1041151 – 10/pk**

SD card mailer



**1005297**

Software package (includes DirectView

CD, SD card and SD card mailer)

**1055635**

Software package (online download

only at [myresprionics.com](http://myresprionics.com))





**1047300**

SD card reader



Trilogy accessory guide

# Circuit adapters

The ability to use either an active or passive exhalation port gives you the flexibility to choose the best available circuit and interface for your patient. Trilogy's unique passive exhalation port eliminates extra tubing connections resulting in fewer disconnections.



**Flexible trach adapter with 22 mm cuff**

Connects to Whisper Swivel II and swivel and fixed disposable exhalation ports

**Part numbers**

Box of 10: 1073902

Box of 20: 1073904

**Flexible trach adapter with 15 mm cuff**

Connects to the flow sensor or the active exhalation valve

**Part numbers**

Box of 10: 1073863

Box of 20: 1073903



**1065659**

Active exhalation valve with PAP assembly



**1050408 – 1/pk**

**1050534 – 10/pk**

Proximal flow sensor (Trilogy 200)



**332113**

Whisper swivel II



**312149**

Disposable  
fixed  
exhalation  
port



**1084428 – 10/pk**

**1084429 – 20/pk**

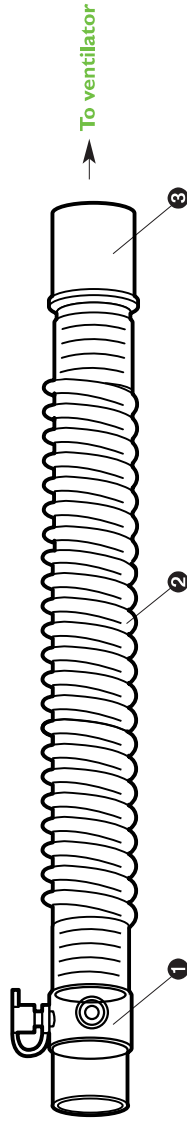
Disposable swivel passive exhalation port



# Disposable circuits

## Adult passive circuits

Adult passive circuit with fixed exhalation port

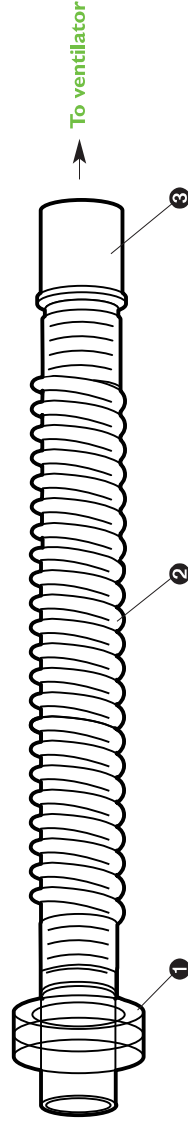


**Part numbers**

Box of 10: 1069467

Box of 20: 1069468

Adult passive circuit with swivel design exhalation port



**Part numbers**

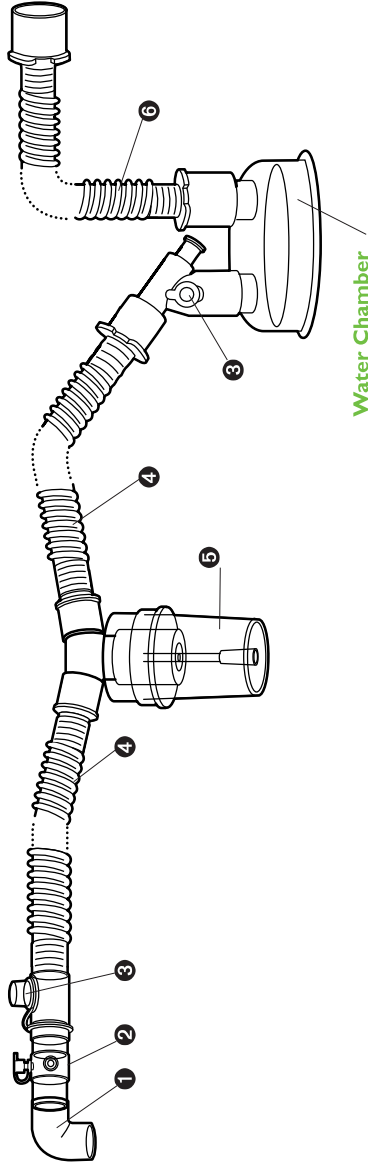
Box of 10: 1073228

Box of 20: 1073236

### Components

- 1 Passive exhalation port
- 2 Patient tube, 6' length, 22 mm diameter
- 3 22 mm cuff

# Adult passive circuit with water trap



**Water Chamber**  
(not included)

## Components

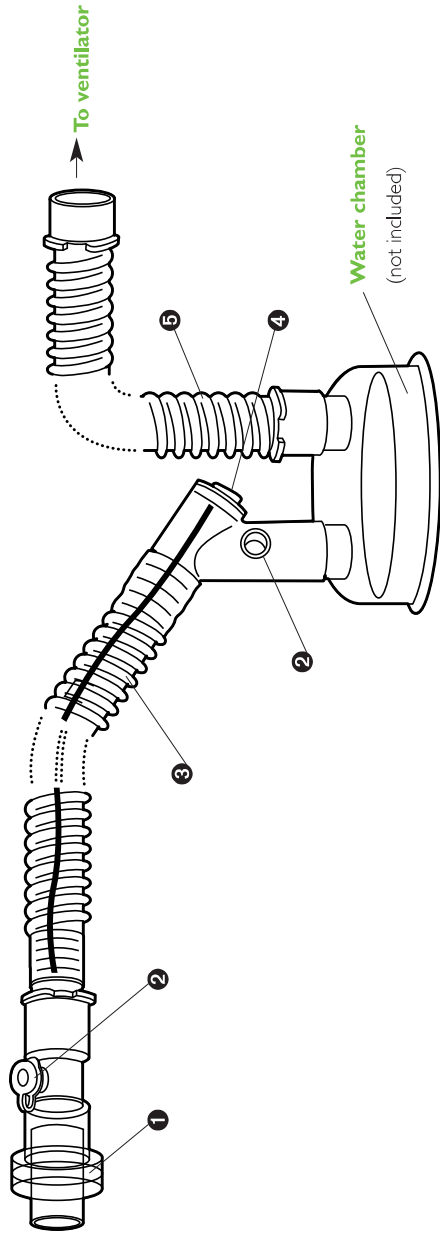
- 1 Standard 90° degree elbow adapter
- 2 Passive fixed exhalation port
- 3 Temperature probe port
- 4 Patient tube, 2' length, 22 mm diameter with 22 mm cuff
- 5 Water trap
- 6 Humidifier connection tube, 2' length, 22 mm diameter with 22 mm cuff

## Part numbers

Box of 10: 1069443

Box of 20: 1069444

# Adult passive circuit, heated wire



## Components

- 1 Passive swivel exhalation port
- 2 Temperature probe port
- 3 Heated wire patient tube, 5' length, 22 mm diameter with 22 mm cuff

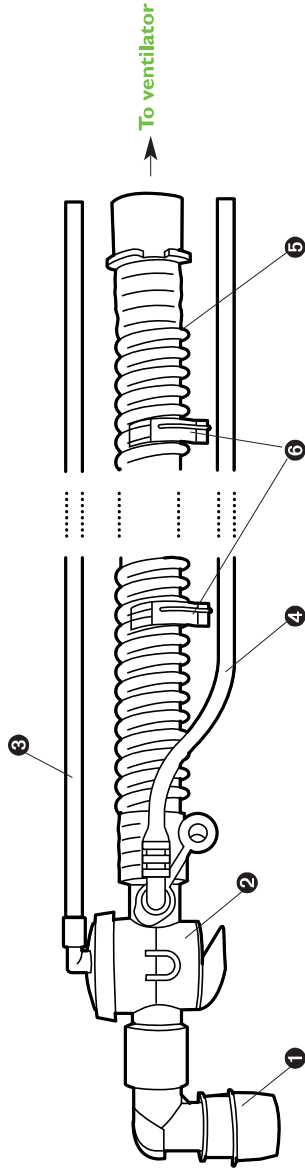
- 4 Heated wire adapter
- 5 Humidifier connection tube, 2' length, 22 mm in diameter with 22 mm cuff

## Part numbers

Box of 10: 1073227

Box of 20: 1073235

# Adult active circuit, no water trap



## Components

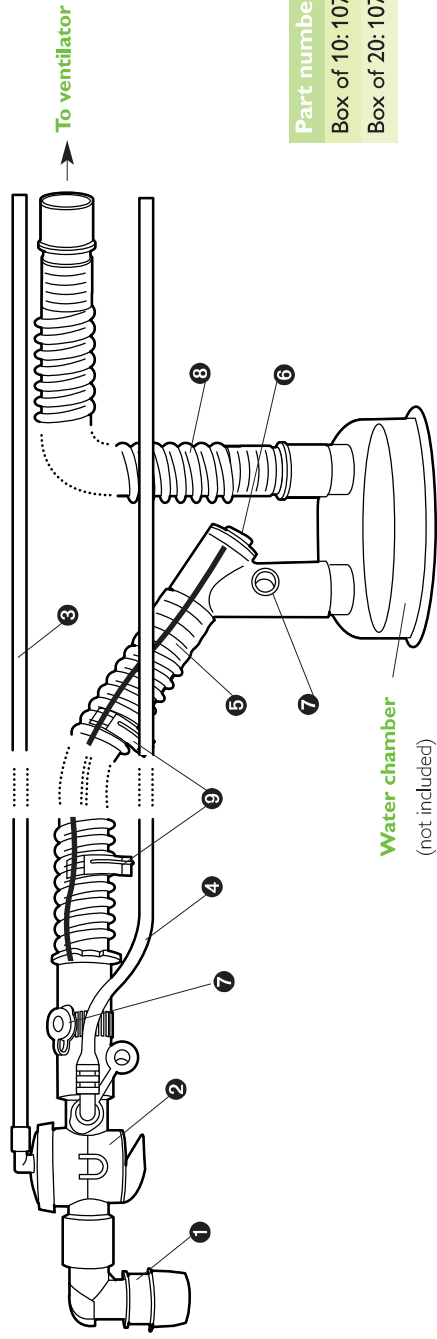
- 1 Standard 90° elbow trach adapter
- 2 Active exhalation valve
- 3 Exhalation tubing
- 4 Proximal pressure tubing
- 5 Patient tube, 6' length, 22 mm diameter with 22 mm cuff
- 6 Tube management clips

## Part numbers

Box of 10: 1073223

Box of 20: 1073232

# Adult active circuit, heated wire



## Part numbers

Box of 10: 1073222

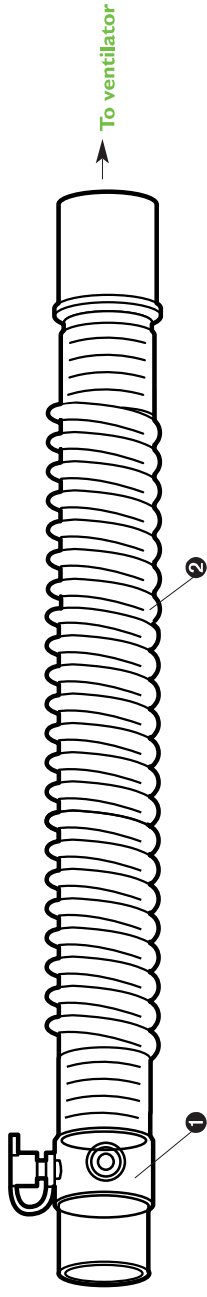
Box of 20: 1073231

## Components

- 1 Standard 90° elbow trach adapter
- 2 Active exhalation valve
- 3 Exhalation tubing
- 4 Proximal pressure tubing
- 5 Heated wire patient tube, 5' length, 22 mm diameter with 22 mm cuff, with heated wire connector
- 6 Heated wire adapter
- 7 Temperature probe port
- 8 Humidifier connection tube, 2' length, 15 mm diameter with 22 mm cuff
- 9 Tube management clips



# Pediatric passive circuit



## Components

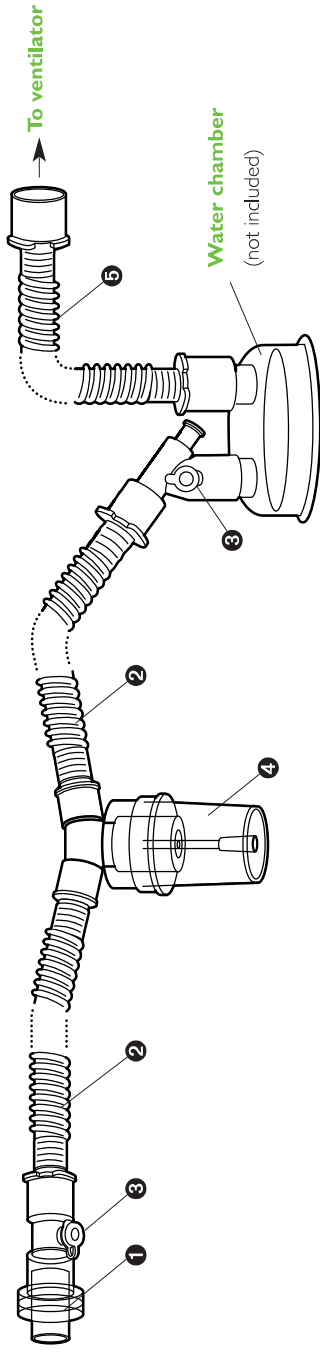
- 1 Passive fixed exhalation port
- 2 Patient tube, 6' length, 15 mm diameter with 22 mm cuff

## Part numbers

Box of 10: 1069445

Box of 20: 1069446

# Pediatric passive circuit with water trap



## Components

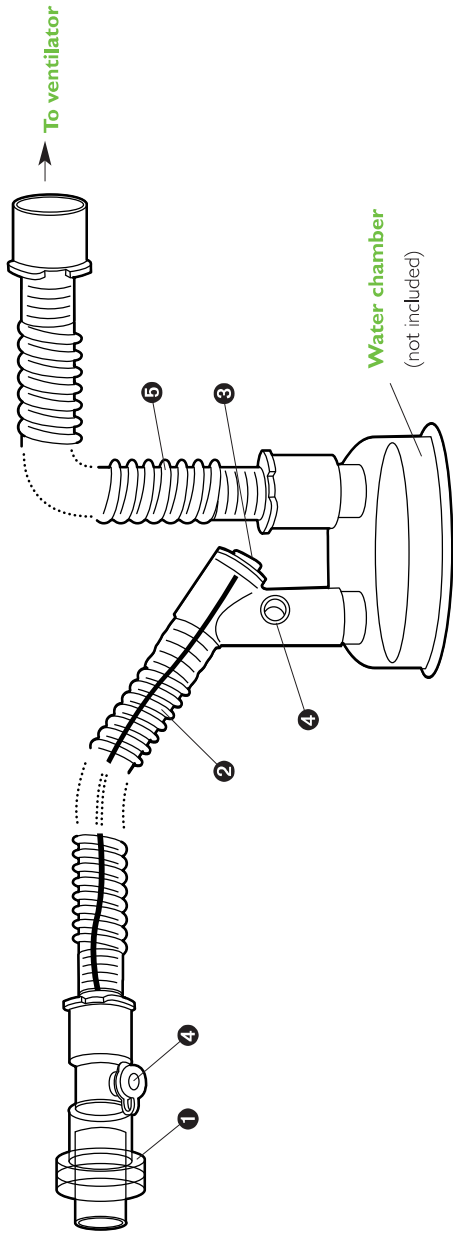
- ① Passive swivel exhalation port
- ② Patient tube, 2.5' length, 15 mm diameter with 22 mm cuff
- ③ Temperature probe port
- ④ Water trap
- ⑤ Humidifier connection tube, 2' length, 15 mm diameter with 22 mm cuff

## Part numbers

Box of 10: 1073224

Box of 20: 1073233

# Pediatric passive circuit, heated wire



## Components

- 1 Passive swivel exhalation port
- 2 Heated wire patient tube, 5' length, 15 mm diameter with 22 mm cuff, with heated wire connector

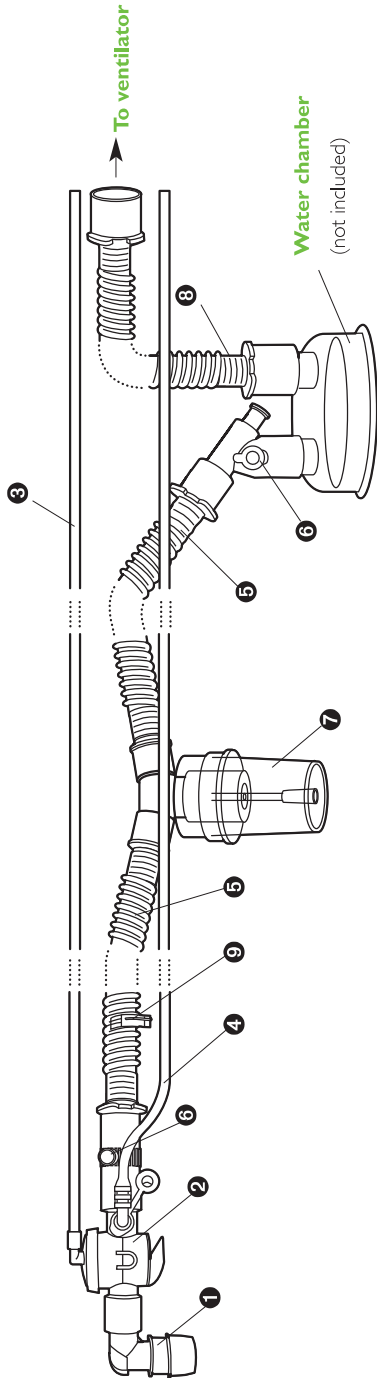
- 3 Heated wire adapter
- 4 Temperature probe port
- 5 Humidifier connection tube, 2' length, 15 mm diameter with 22 mm cuff

## Part numbers

Box of 10: 1073225

Box of 20: 1073234

# Pediatric active circuit with water trap



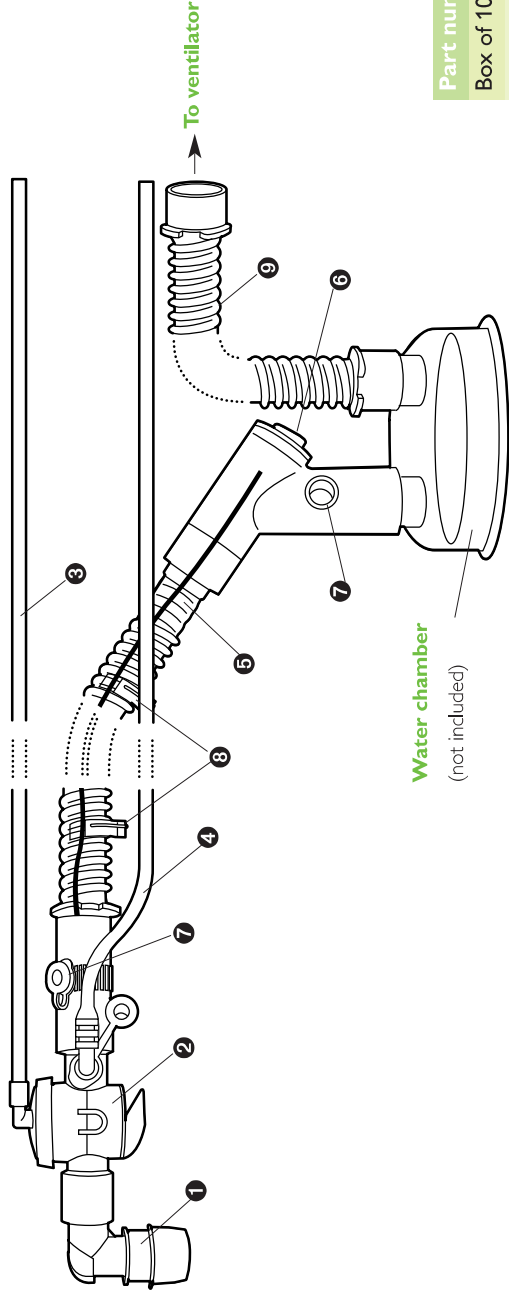
Water chamber  
(not included)

Part numbers  
Box of 10: 1073220  
Box of 20: 1073229

## Components

- 1 Standard 90° elbow trach adapter
- 2 Active exhalation valve
- 3 Exhalation tubing
- 4 Proximal pressure tubing
- 5 Patient tube, 2.5' length, 15 mm diameter with 22 mm cuff
- 6 Temperature probe port
- 7 Water trap
- 8 Humidifier connection tube, 2' length, 15 mm diameter with 22 mm cuff
- 9 Tube management clips (one shown)

# Pediatric active circuit, heated wire



**Water chamber**  
(not included)

## Part numbers

Box of 10: 1073221

Box of 20: 1073230

## Components

- 1 Standard 90° elbow trach adapter
- 2 Active exhalation valve
- 3 Exhalation tubing
- 4 Proximal pressure tubing
- 5 Heated wire patient tube, 5' length, 15 mm diameter with 22 mm cuff, with heated wire connector
- 6 Heated wire adapter
- 7 Temperature probe port
- 8 Tube management clips
- 9 Humidifier connection tube, 2' length, 15 mm diameter with 22 mm cuff

# Monitoring and alarms



**1075383**

Masimo high performance/low power pulse oximeter

**1080964**

Trilogy oximetry interface kit: interface adapter, SD card and mailer carrying case



**23001**

Pressure alarm

Oximeter sensors	Part number
LNC5ADTX adhesive sensor, Resp, adult disposable adhesive sensor (>30 kg) 20/box	1081517
LNC5PDTX adhesive sensor, Resp, pediatric disposable adhesive sensor (10-50 kg) 10/box	1081518
LNC5INF adhesive sensor, Resp, infant disposable adhesive sensor (3-20 kg) 20/box	1081519
LNC5DCI, adult reusable sensor (>30 kg) 1/box	1081984
LNC5DCIP, pediatric reusable sensor (10-50 kg) 1/box	1081515
LNC5DBI, adult soft reusable sensor; 1/box	1081516
LNC5Y1, reusable Y1 multisite sensor (>1 kg) 1/box	1081985
LNC5, patient cable, LNC 4 ft. ext.	1082474



**1080247**

RJ9 to 1/4" nurse call cable, closed

**1080248**

RJ9 to 1/4" nurse call cable, open

**1080249**

Nurse call RJ9 cable, open ends



**34003**

Remote alarm

**34915**

100' extension cable



**1079886**

Remote alarm adapter cable



**1046972**

Alice PDX connector cable

# Miscellaneous



**1045587**

Oxygen inlet adapter



**1040372**

Passive porting block





**1054670**

Active porting block



**1040370**

Universal porting block



**1029330 – 2/pk**

Filter

# Notes

---

---

---

---

---

---

---

---

---

---

---

---

---

---

---

# Notes

---

---

---

---

---

---

---

---

---

---

---

---

---

---

---

---

---

---

---

---

---

---

Trilogy, DirectView and Respirationics are trademarks of Koninklijke Philips Electronics N.V. and its affiliates. All rights reserved. Masimo, LNCS and SET are registered trademarks of Masimo Corporation.

Please visit [www.philips.com/trilogy100](http://www.philips.com/trilogy100)



©2011 Koninklijke Philips Electronics N.V. All rights are reserved.

Philips Healthcare reserves the right to make changes in specifications and/or to discontinue any product at any time without notice or obligation and will not be liable for any consequences resulting from the use of this publication.

CAUTION: US federal law restricts these devices to sale by or on the order of a physician.

Geyer JH 08/18/11 MCI 4104172 PN 1084580

Philips Healthcare is part of Royal Philips Electronics

Respirationics Asia Pacific  
+65 6298 1088  
Respirationics Australia  
+61 (2) 9666 4444

Respirationics Europe, Middle East, Africa  
+33 1 47 52 30 00  
Respirationics United Kingdom  
+44 800 1300 845

Philips Respirationics  
1010 Murry Ridge Lane  
Murrysville, PA 15668

Customer Service  
+1 724 387 4000  
+1 800 345 6443 (toll free, US only)  
[www.philips.com/respirationics](http://www.philips.com/respirationics)