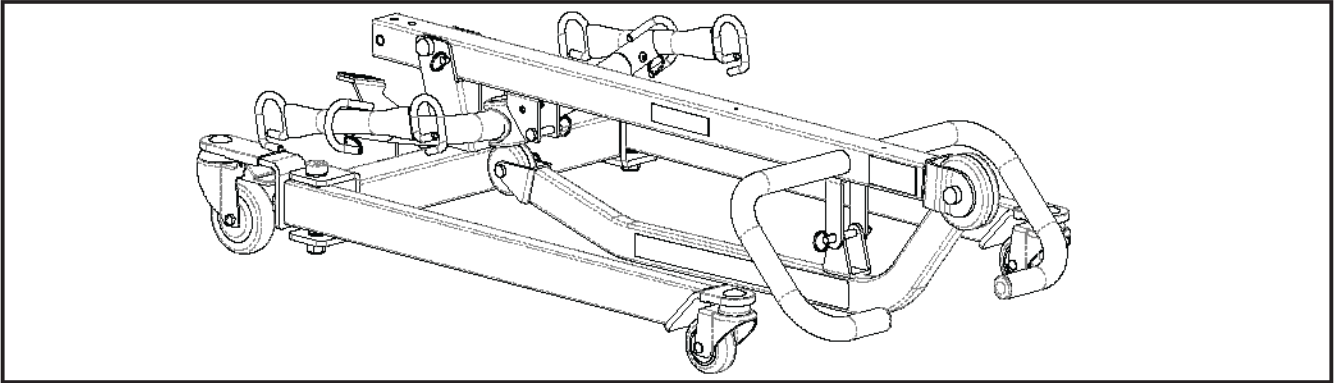
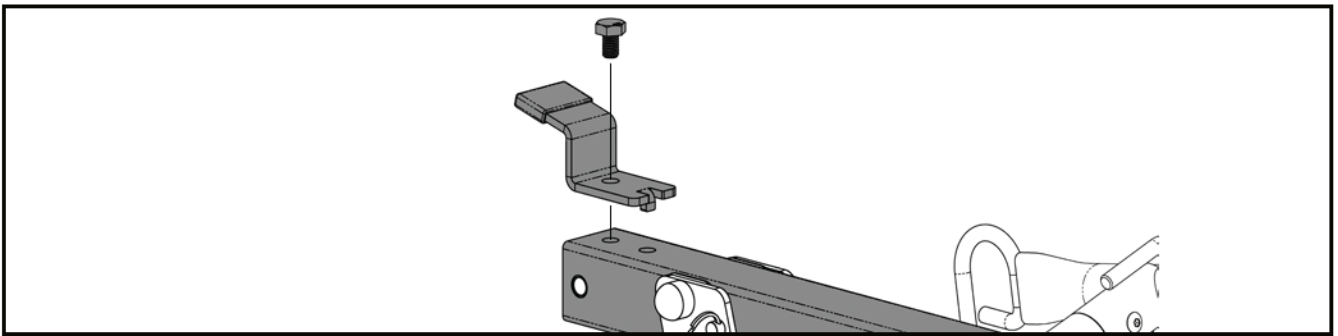


Assemble PL400EF for The First Time

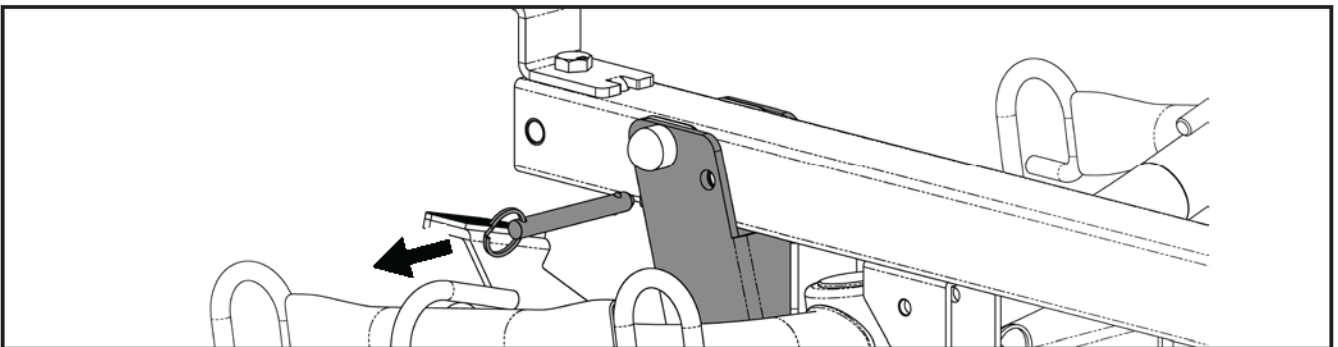
Step 1: Remove folded lift from box



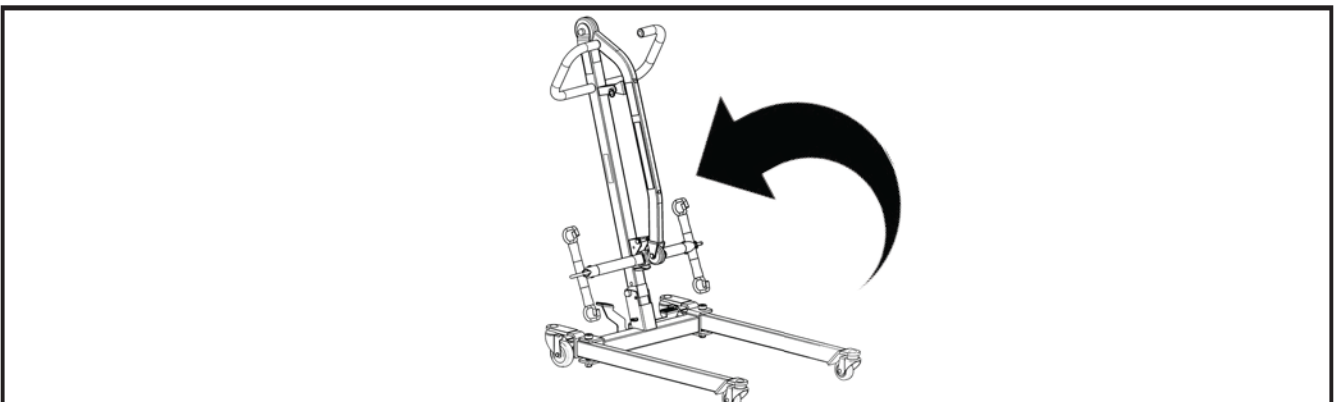
Step 2: Secure the stand to the mast. Make sure the tab on the standing bracket sit in the top hole on the mast, and insert the screw to the lower hole as follows.



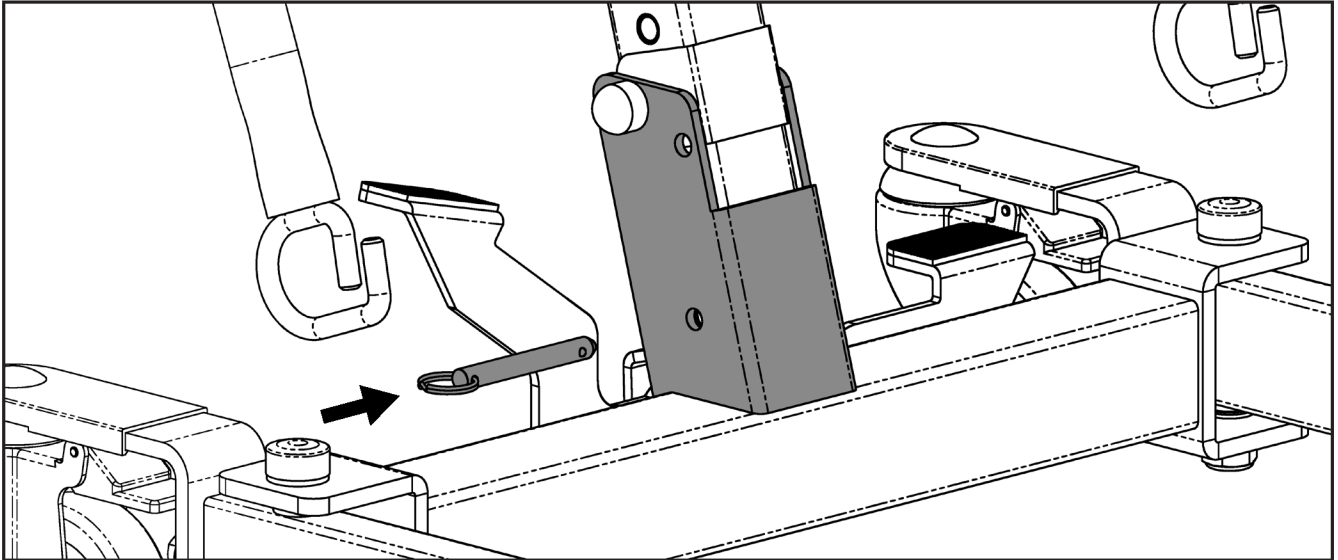
Step 3: Remove the quick release pin that is securing the mast



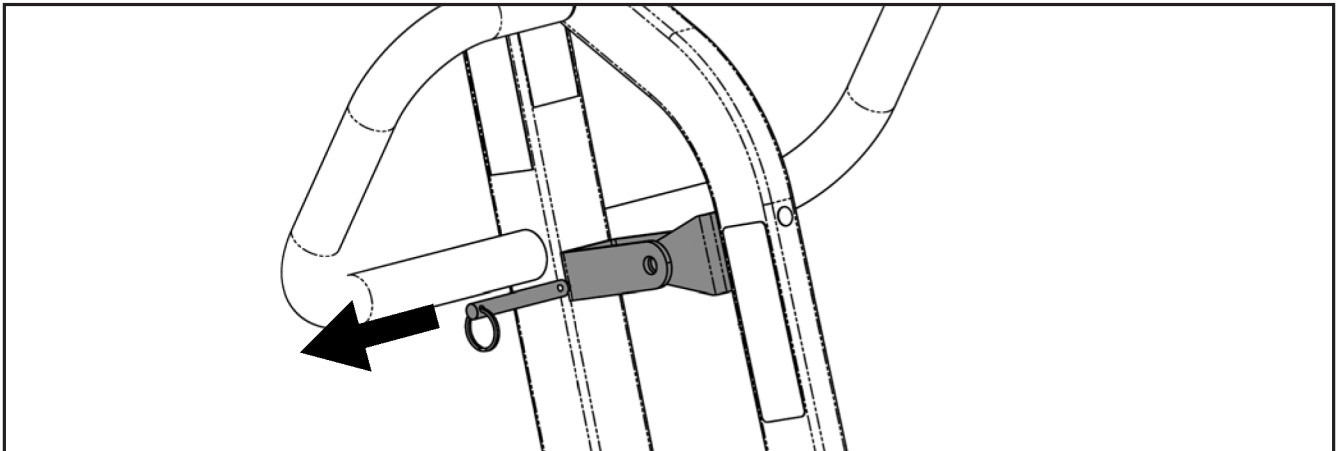
Step 4: Lift the mast upright. Lock the rear casters first, then lift the mast upright by grabbing onto the handle bars



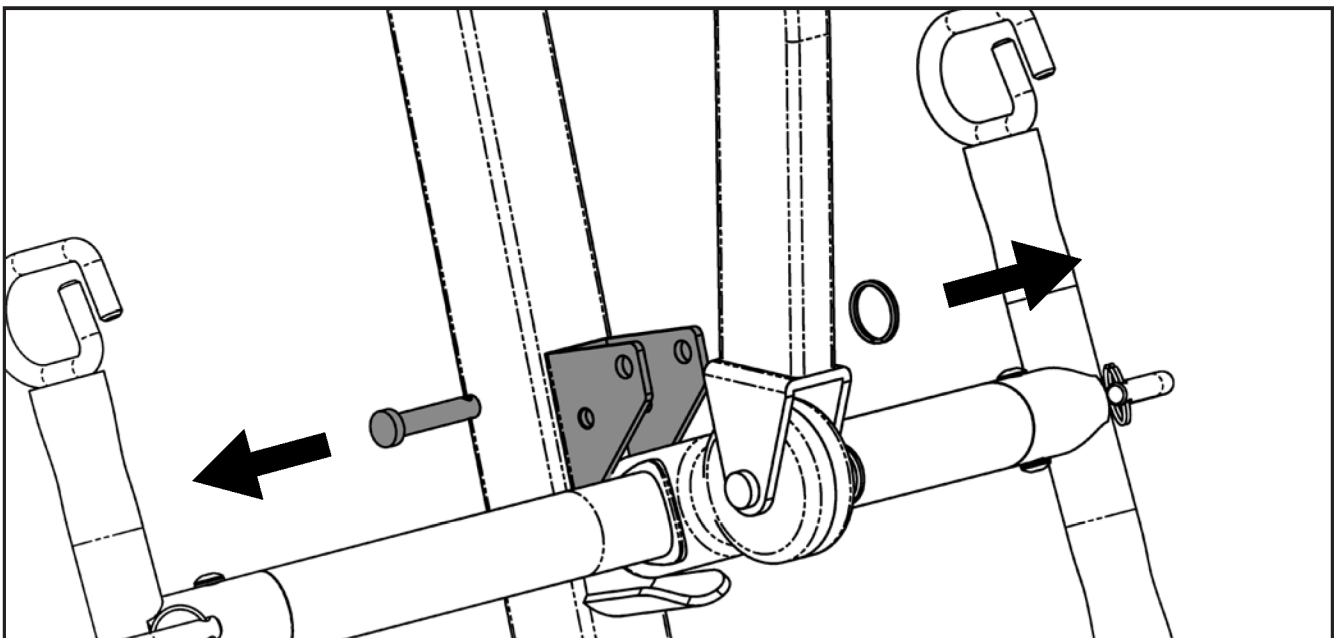
Step 5: Insert the pin to the bottom hole to secure the mast in upright position



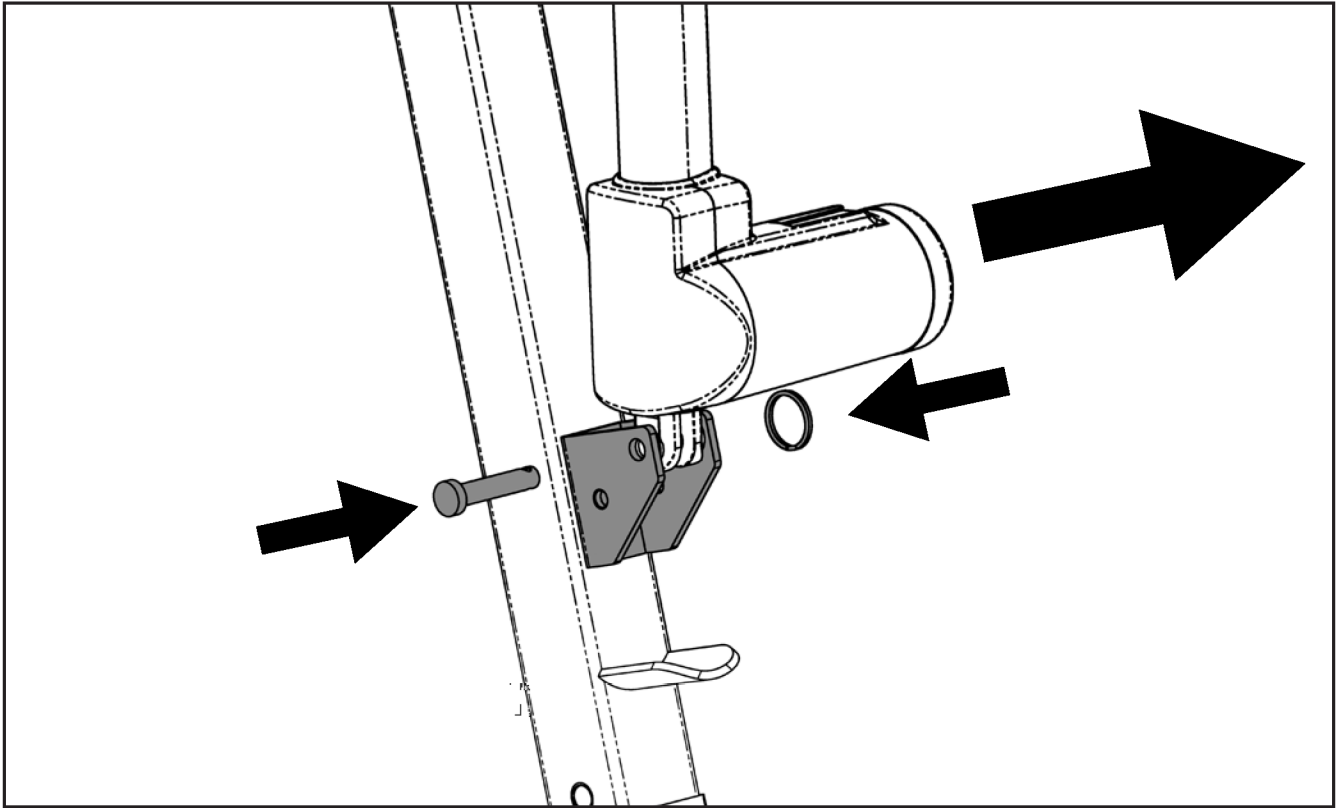
Step 6: Remove the pin that is securing the boom



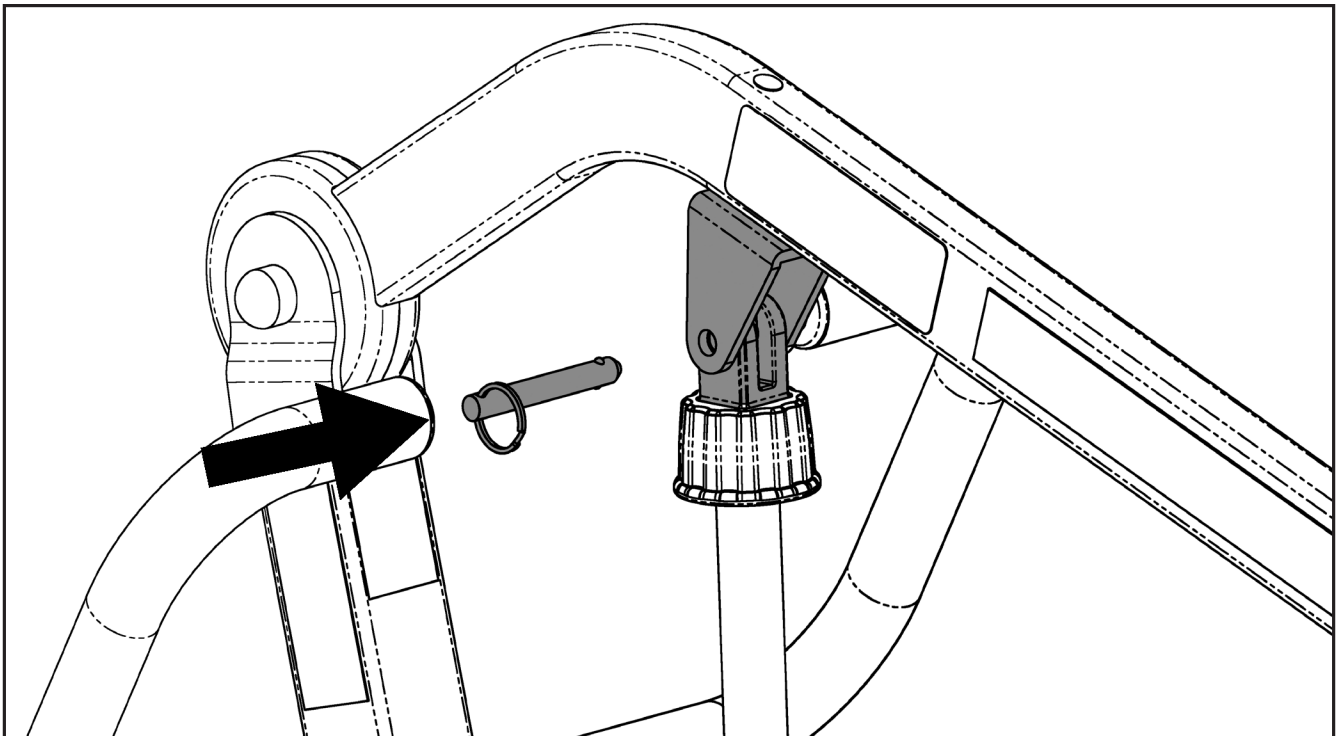
Step 7: Remove lower actuator pin



Step 8: Move the boom out of the way, and install the lower end of the actuator as follows. It is critical to have the motor part of the actuator to face the same direction as the big arrow as follows.

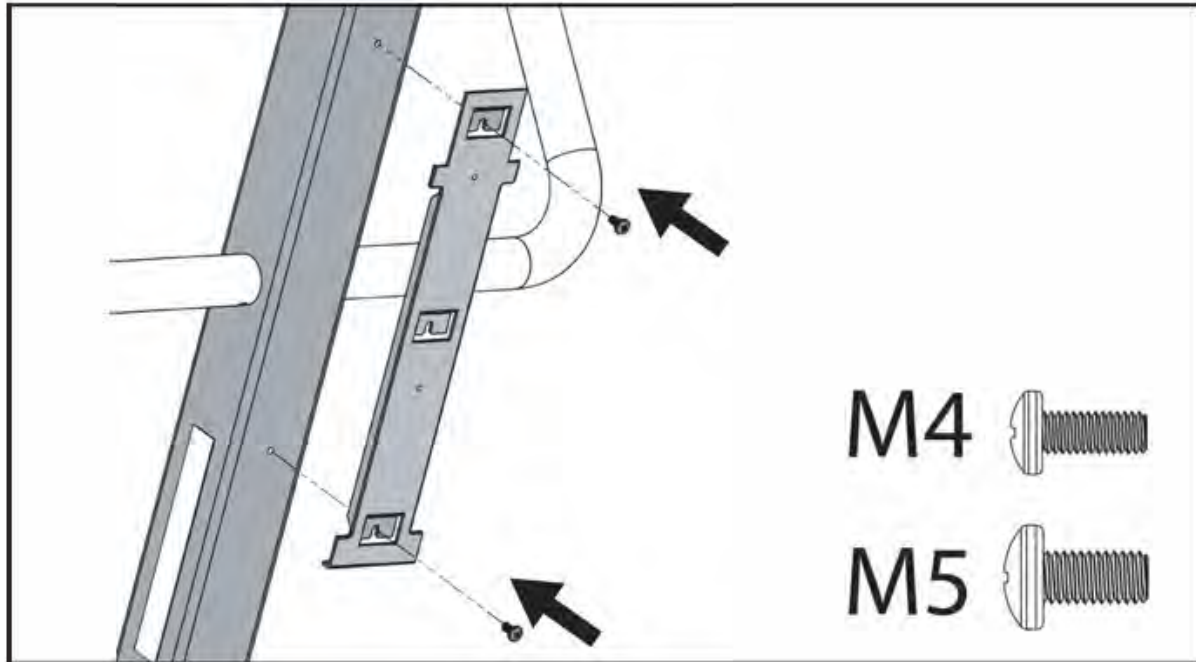


Step 9: Install the upper end of actuator and reinsert the quick release pin to secure it.

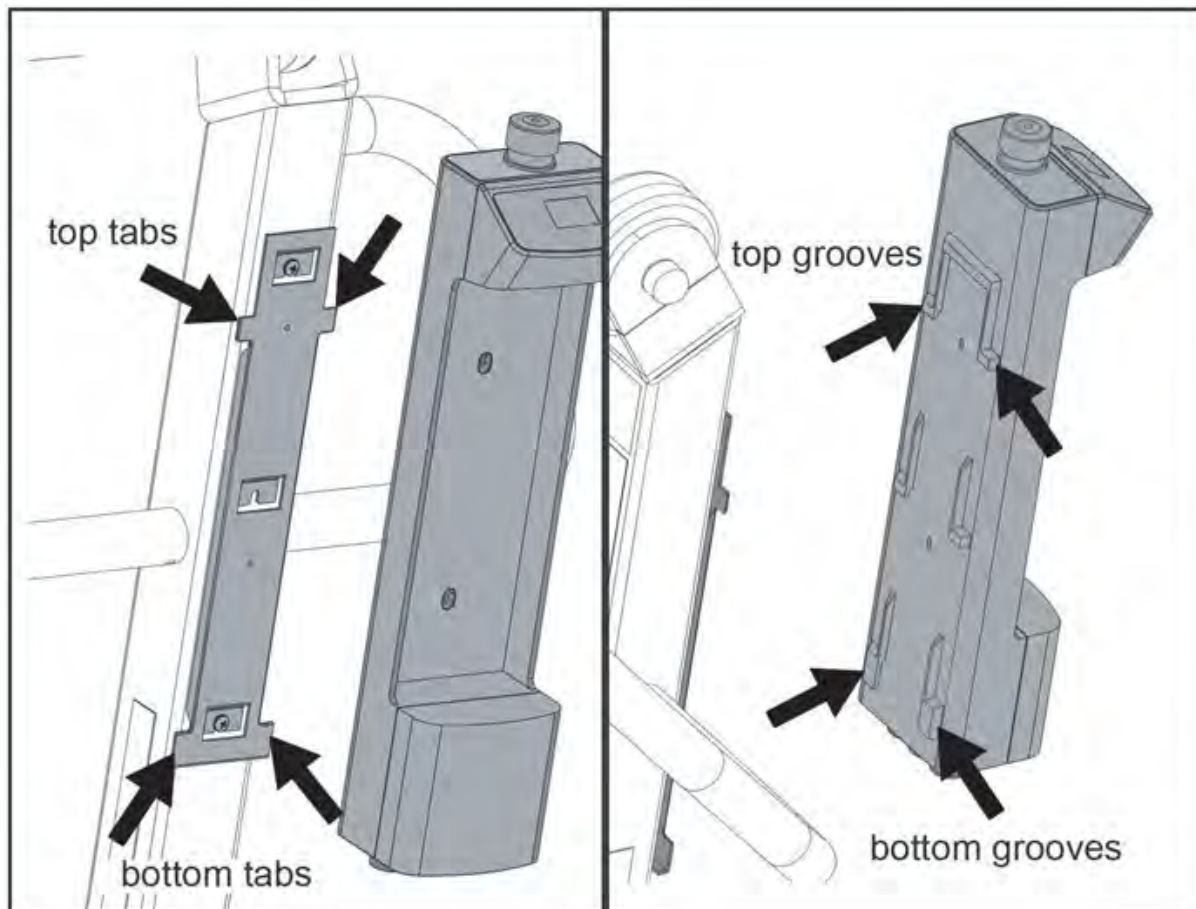


Installing the Control Box

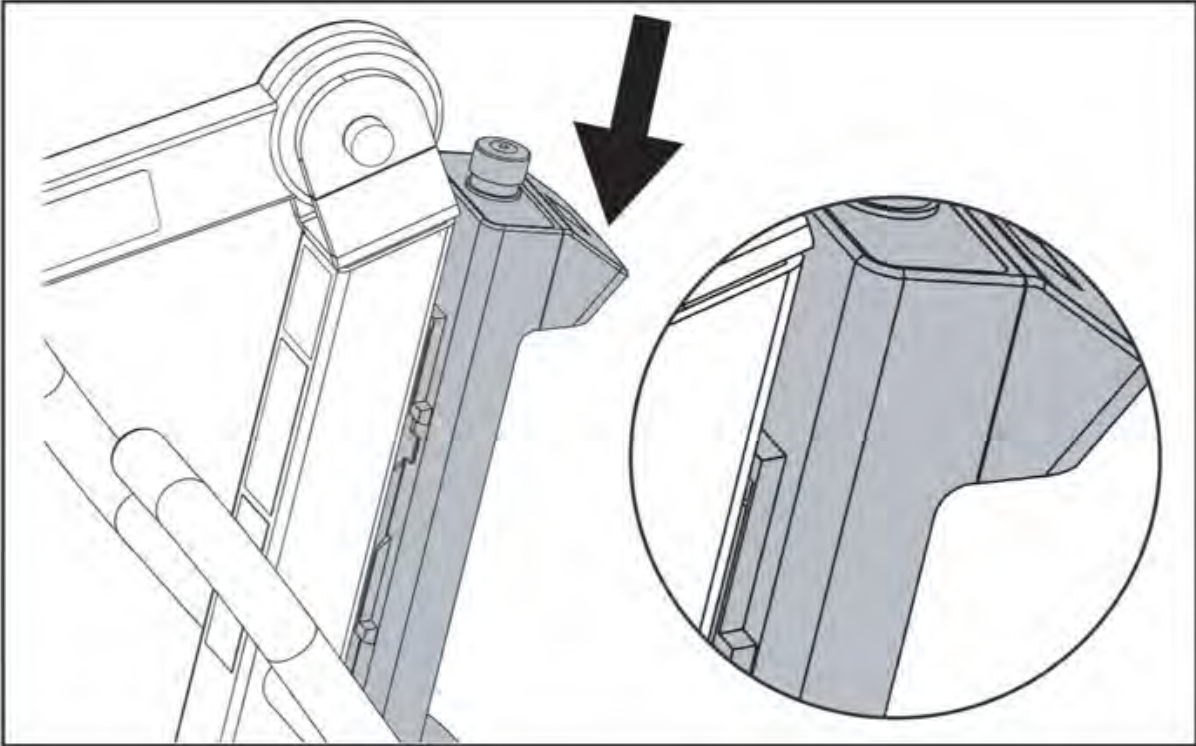
Step 1: Have the flat side of the bracket facing away from the lift, and position the bracket as follows. Secure the metal bracket to the holes on the mast using two M5 screws as follows.



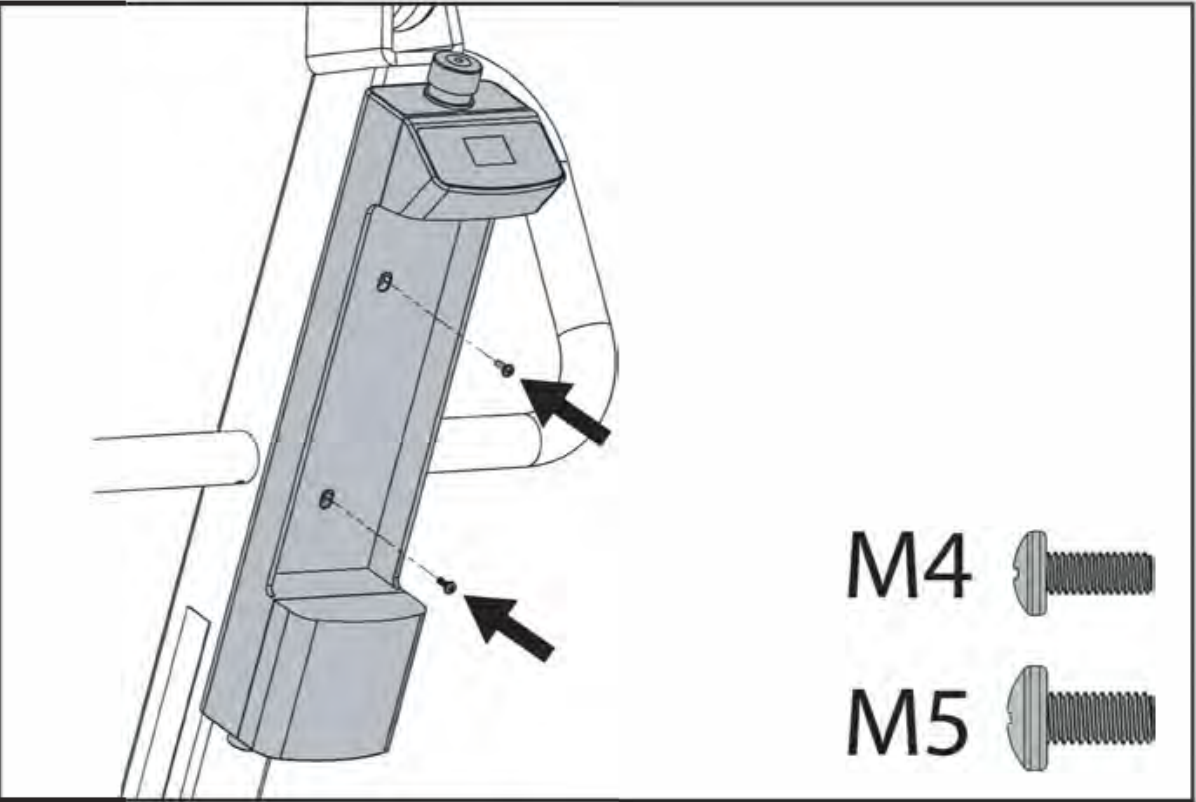
Step 2: Align the top and bottom grooves on the back of the control box with the top and bottom tabs of the metal bracket as follows.



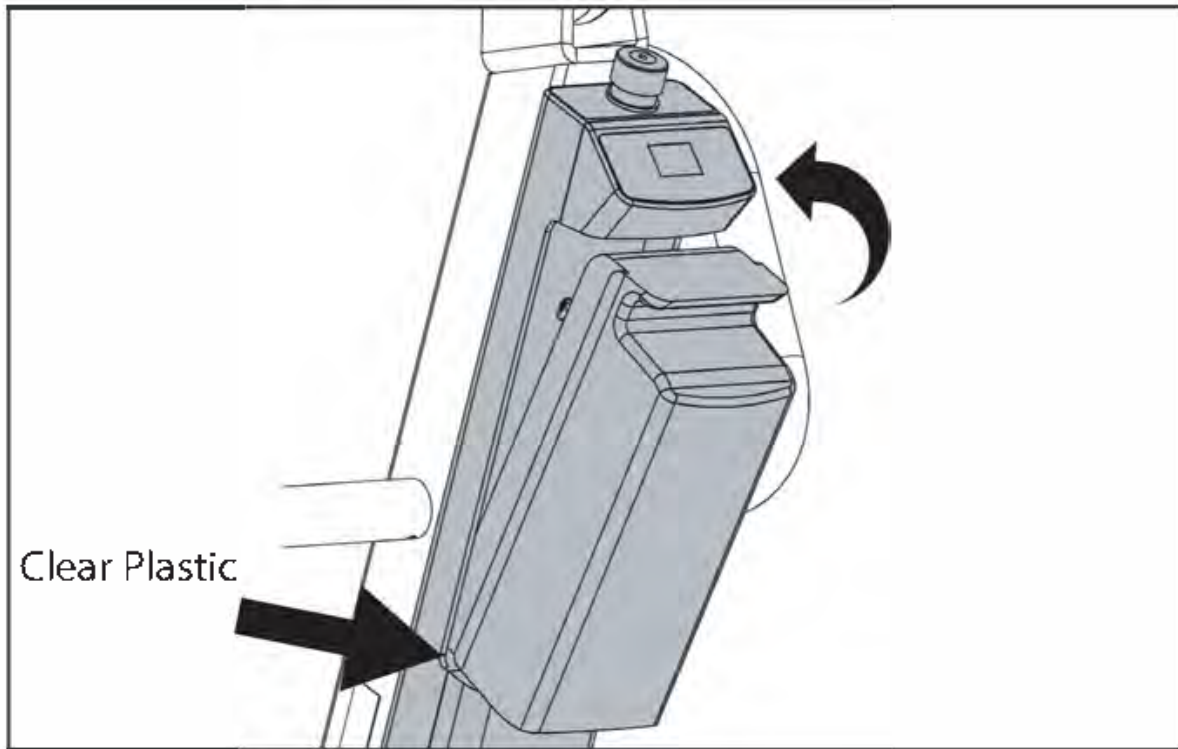
Step 3: Insert the tabs into the grooves on the control box by pressing the control box against the bracket and sliding downward. Make sure the top and bottom tabs are secured inside the grooves.



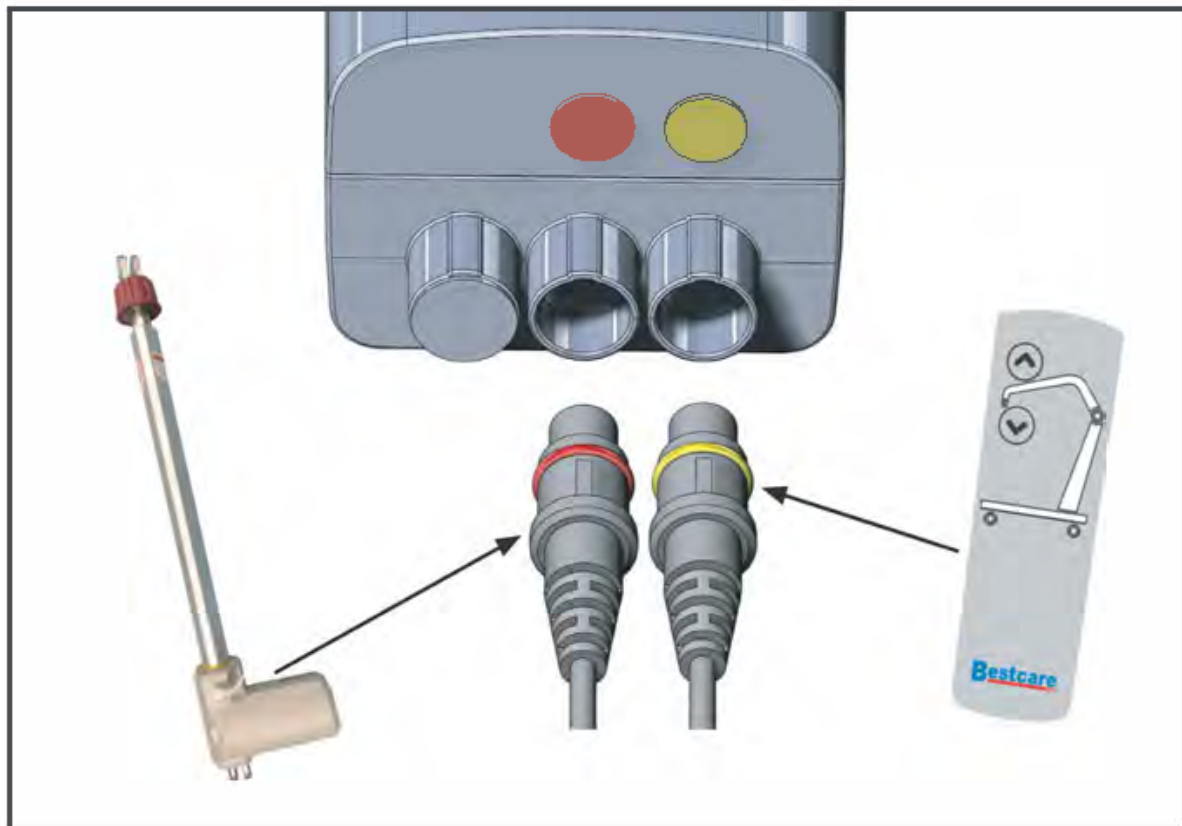
Step 4: Secure the control box to the metal bracket with two M4 screws as follows. Remove the battery pack to see the two holes on the control box if needed.



Step 5: Insert the tab at the bottom of the battery pack into the slot on the control box, and then push the battery pack into the control box. Should hear the battery pack snap into place. Make sure to remove the clear plastic at the battery contact.

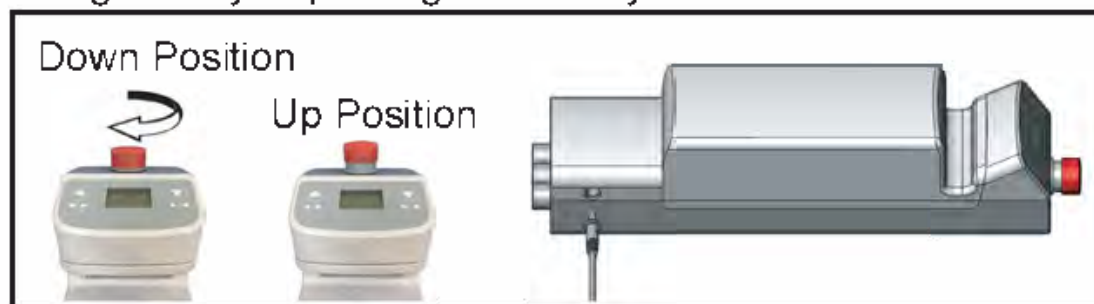


Step 6: Plug the actuator jack to the middle port under the control box, and plug the hand control jack to the right-most port under the control box. Make sure to align the notch on the jack to the groove on the port.



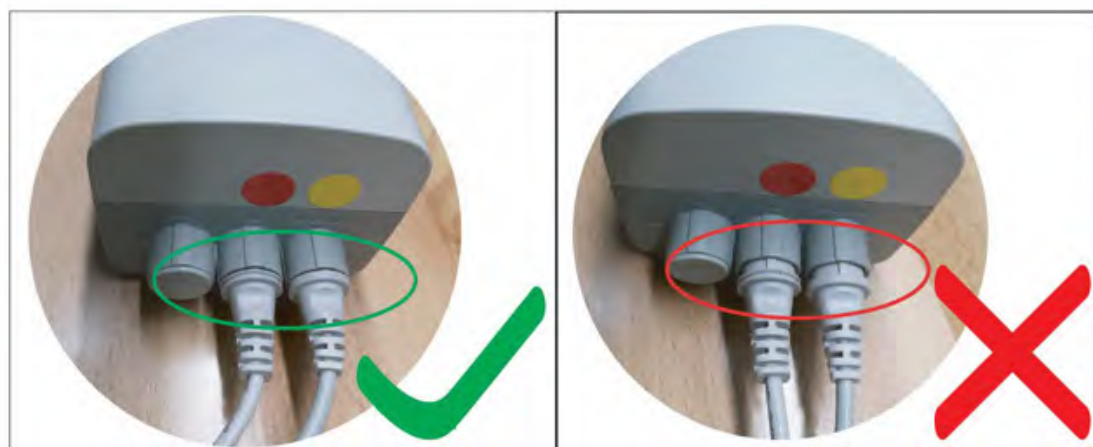
Fully charge the battery before first use.

To charge the battery, the red button needs to be in the up position, and plug the charger jack into the charging port that is on the side of the control box. The battery should be charged daily to prolong the battery life.



Fully plugged in

Not plugged in properly



Different Display Indications



A thunderbolt next to a battery icon indicates the battery is currently charging.



This display indicates the load is over the lift capacity.



This display indicates the battery is depleted.



Indicator Light

When charging the battery, the indicator light will turn amber. When the battery fully charged, the indicator light will turn green.