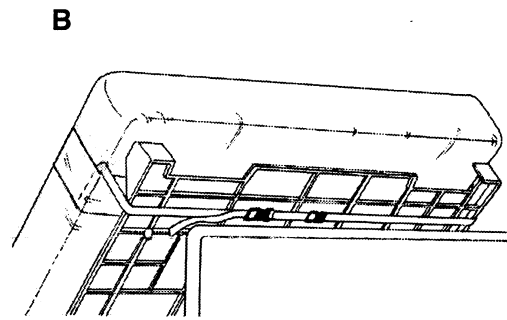
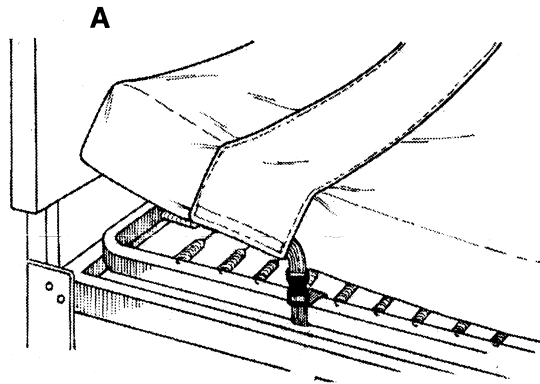


MATTRESS SAFETY STRAPS

Reorder #	Description	Size	Unit
558070	Fits 35"-42"W Mattress	36"L x 8"W	Pair
558071	Fits 43"-48"W Mattress	42"L x 8"W	Pair
558072	Fits 49"-60"W Mattress	48"L x 8"W	Pair



Purpose

Skil-Care's Mattress Safety Straps prevent mattresses from slipping off spring-frame and hardpan beds. They are designed to be used with all standard healthcare mattresses except those with defined-perimeter barriers.

Application

1. Remove bed sheet and place nylon straps around mattress with elastic bands beneath mattress. Straps should be positioned approximately six inches from the head and foot of the mattress.
2. For a spring-frame bed, secure each side strap to the spring frame (Illustration A). Take up slack by pulling the loose end of strap through the buckle. Do not secure straps to the bed frame. Doing so will make it impossible to elevate the head and/or foot of the bed.
3. For a hardpan bed, lift the pan and secure strap around it (Illustration B). Take up slack by pulling the loose end of strap through the buckle.

Important

- Both straps (one at the head one at the foot of the bed) must be used to prevent mattress from sliding of the bed.
- Do not place straps over the bed sheet.
- Make certain to take up any slack in the straps.

Easy Care

The Mattress Safety Straps are made from durable nylon. They may be wiped clean with spray-type cleanser and a damp cloth, or they may be laundered and dried at temperatures that do not exceed 180°F (82°C). The use of bleach is not recommended. Do not put Mattress Safety Straps in a water extractor. Doing so will crush the buckles.