

Note: The most current version of these instructions can be found online at www.grahamfield.com

⚠ WARNING: Important! Read and understand these instructions before installing or using the GF6650A-1 Homecare Clamp-On Half Rail. If you do not understand any part of these warnings, cautions or instructions, contact a healthcare professional for direction in the use of this product. If the Homecare Clamp-On Half Rail is not properly installed and adjusted, personal injury and damage to the half rail could result.

For information on Bed Rail safety, please see the following brochure: "A Guide to Bed Safety: Bed Rails in Hospitals, Nursing Homes and Home Health Care: The Facts" on the FDA website, at <http://www.fda.gov/cdrh/beds/>

⚠ WARNING: The Homecare Clamp-On Half Rail is designed for use in the homecare setting. The Homecare Clamp-On Half Rail is not intended for institutional use.

⚠ WARNING: If components are damaged or missing, contact your dealer immediately. DO NOT use substitute parts. Use only Lumex replacement parts. Non-Lumex replacement parts could cause entrapment, personal injury, and damage to the half rail.

⚠ WARNING: The Homecare Clamp-On Half Rail is intended to define the edge of the sleep surface and to help prevent an individual from inadvertently rolling out of bed. DO NOT use the half rail as a restraint.

⚠ WARNING: Although it has no specific weight limitation, the Homecare Clamp-On Half Rail may deform or break when subjected to excessive side pressure. DO NOT exert side pressure on the half rail. DO NOT use it as a handle for getting into or out of bed. DO NOT use it as a push handle for moving the bed. DO NOT use it as an aid in transfer.

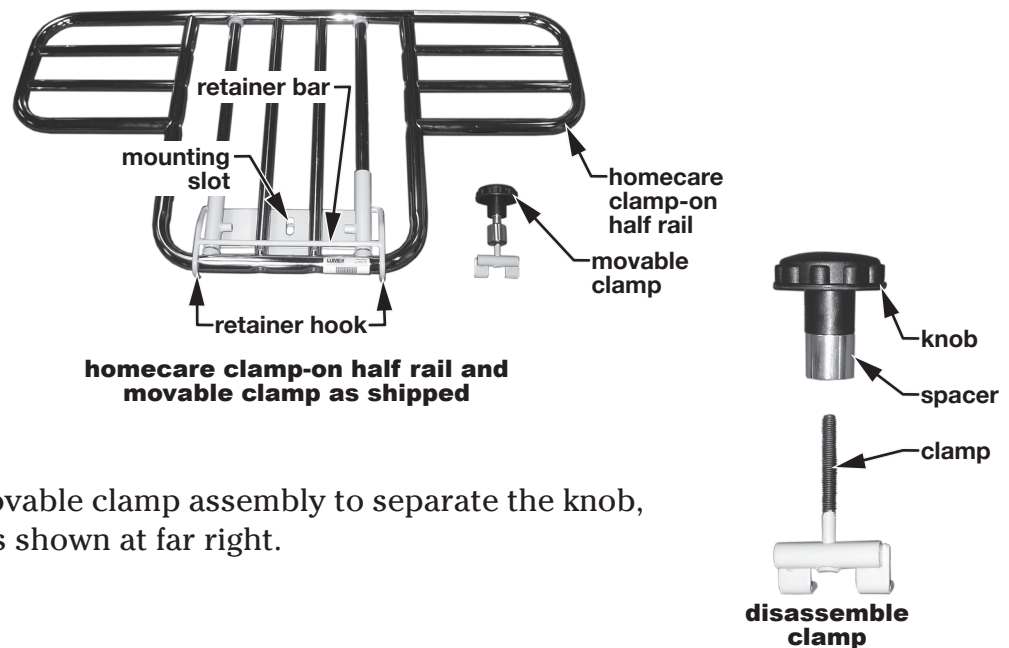
These activities could result in personal injury and damage to the half rail.

⚠ WARNING: GF Health Products, Inc. assumes no responsibility for any damage or injury caused by improper installation or use of this product.

INSTALLATION

Movable clamp disassembly

The Homecare Clamp-On Half Rail, as shipped, is shown at near right. Before installation, you must disassemble the movable clamp.

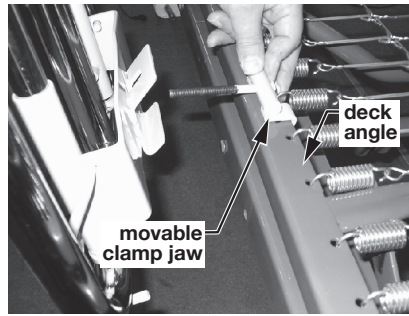


Unscrew the knob from the movable clamp assembly to separate the knob, spacer, and threaded clamp, as shown at far right.

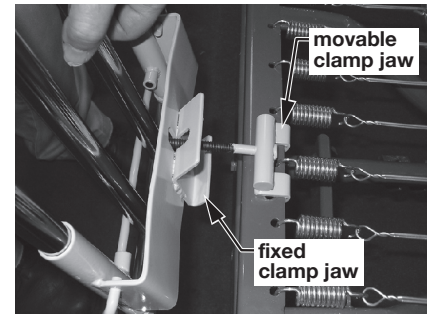
Homecare Clamp-On Half Rail installation

Note: The Homecare Clamp-On Half Rail may be installed on either head deck angle or foot deck angle. The Homecare Clamp-On Half Rail CAN NOT be installed on pan deck.

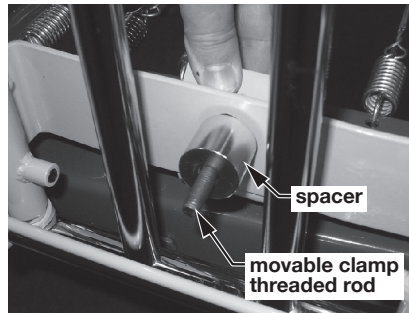
1. Attach movable clamp jaw over deck angle, with threaded rod facing outward, as shown at near right.
2. Position half rail with fixed clamp jaw toward bed and rails facing outward, as shown at far right. Position half rail mounting slot over movable clamp threaded rod and slide until fixed clamp jaw is installed under deck angle.
3. Install spacer over end of movable clamp threaded rod and slide it against half rail flat surface, as shown at near right.
4. Install knob on end of movable clamp threaded rod, as shown at far right. Screw on until the clamp that secures the half rail to the bed frame is tight.



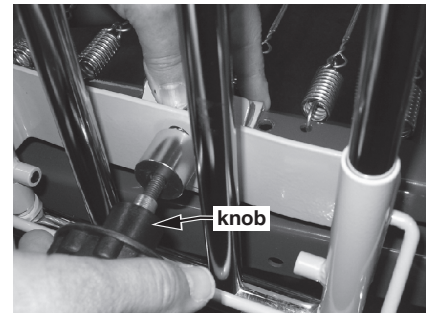
install movable clamp jaw over deck angle



install fixed clamp jaw under deck angle



replace spacer on movable clamp



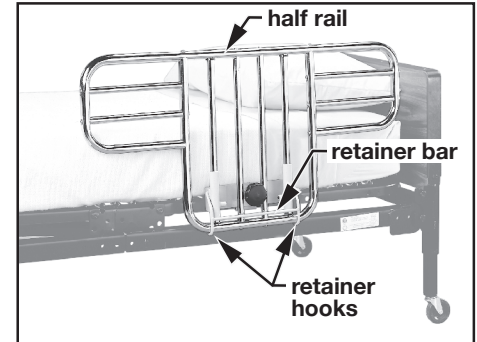
replace knob on movable clamp

RAISE AND LOWER HOMECARE CLAMP-ON HALF RAIL

See Homecare Clamp-On Half Rail picture at right. **To raise half rail:** Pull out retainer bar, raise rail to highest position, and release retainer bar, ensuring that rail is securely trapped by retainer hooks. **To lower half rail:** Raise rail slightly to release retainer hooks, pull out retainer bar, lower rail, and release retainer bar.

⚠ WARNING: Before use, ensure that the Homecare Clamp-On Half Rail is assembled and installed as described, that all attaching hardware is securely tightened, and that the Homecare Clamp-On Half Rail is securely in place.

⚠ WARNING: During use, inspect frequently to ensure that all attaching hardware is securely tightened and the Homecare Clamp-On Half Rail is securely in place.



raise and lower half rail



GRAHAM-FIELD

GF Health Products, Inc. is not responsible for typographical errors. Packaging, warranties, products and specifications are subject to change without notice. Graham-Field and Lumex are registered trademarks of GF Health Products, Inc.

©GF Health Products, Inc. • 2935 Northeast Parkway • Atlanta, GA 30360 • tel 800-347-5678 • fax 800-721-0601 • www.grahamfield.com