



EZ Split Key Cup Drug Screen

Product Benefits

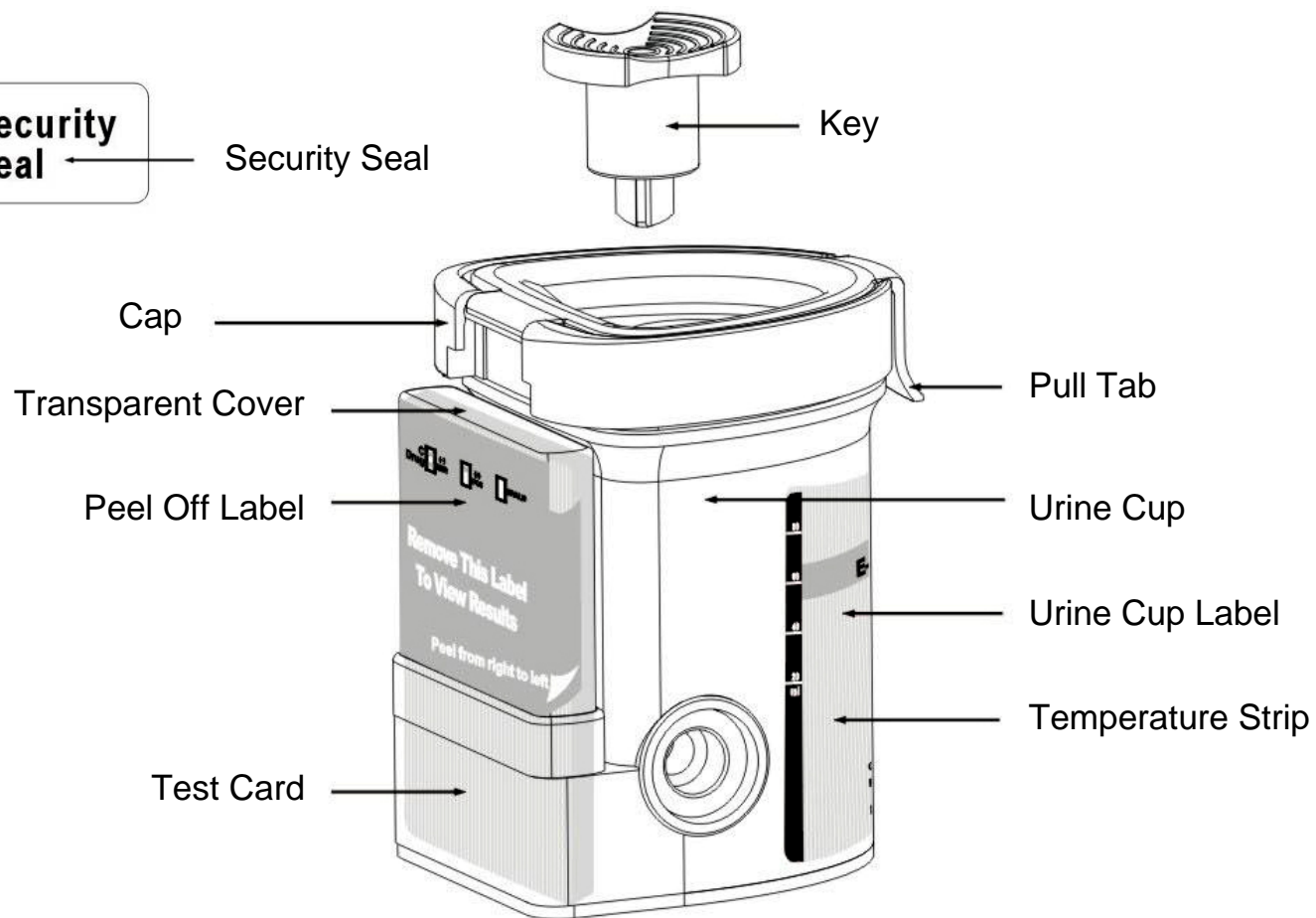
- Secure “Key” Activation
- 3-12 Drug Configurations
- Zero Exposure
- New Lid Design



The EZ Split Key Cup Drug Screen is only a preliminary screen and all positive screens must be confirmed using more definitive form of testing such as GC/MS (Gas Chromatography / Mass Spectrometry). Confirmation programs are available upon request.

Description of Items

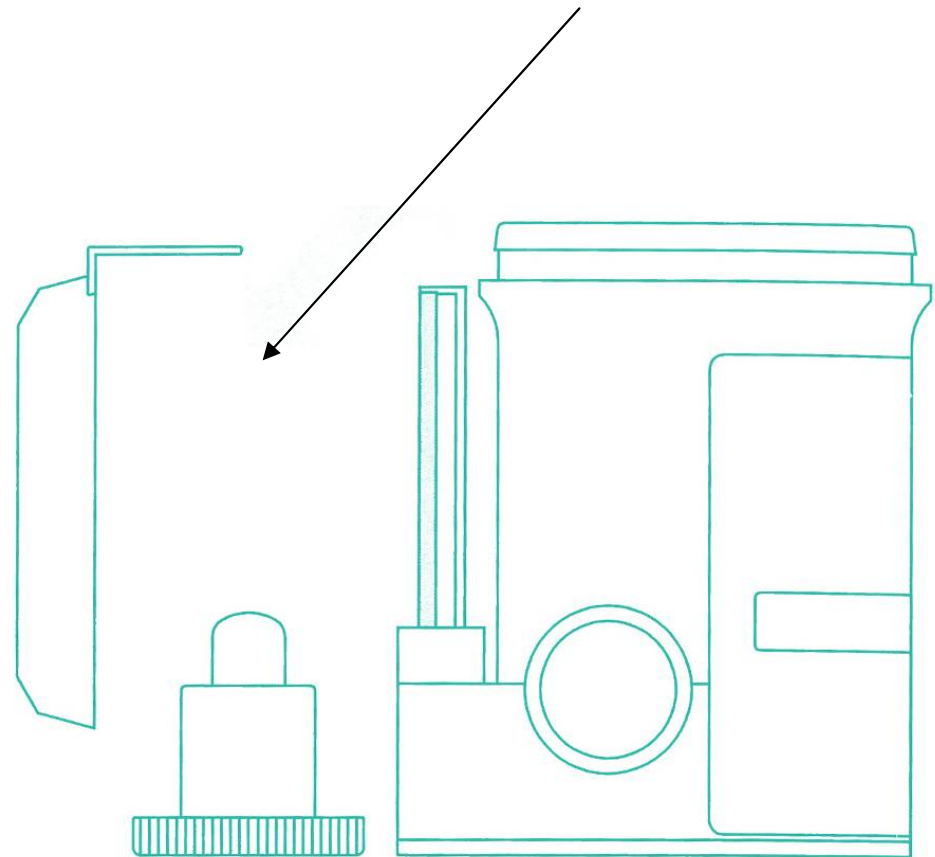
Date _____ Initials _____ **Security Seal**



Procedure

Step 1

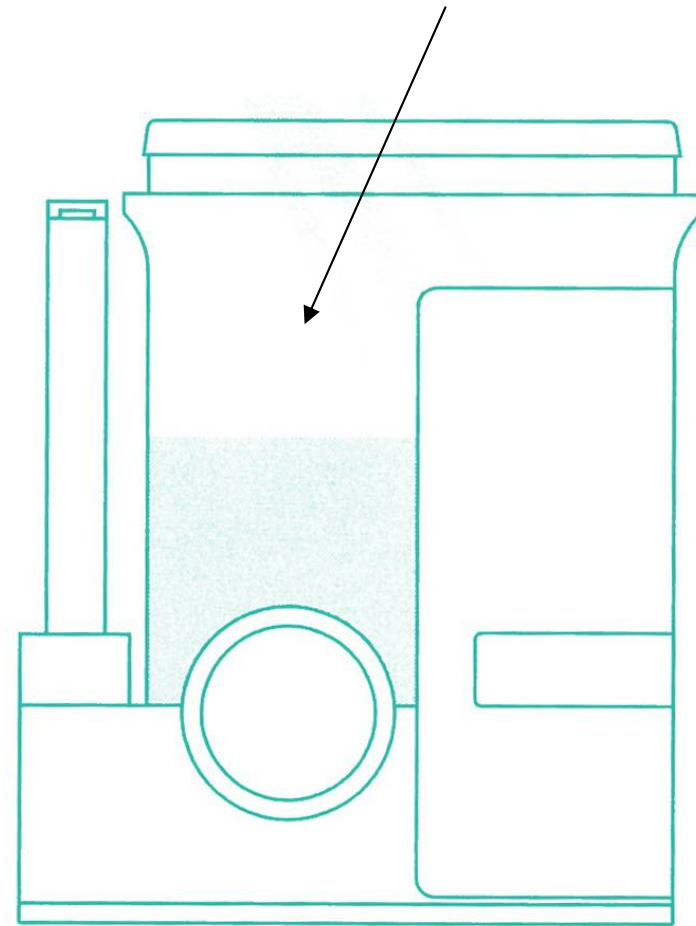
Remove the key by twisting it from the center of the cap. Open cap with the Pull Tab.(Key is held by technician.)



Procedure

Step 2

Donor provides specimen and secures cap. Note: Secure cap by pressing down on the Pull Tab until an audible click is heard.



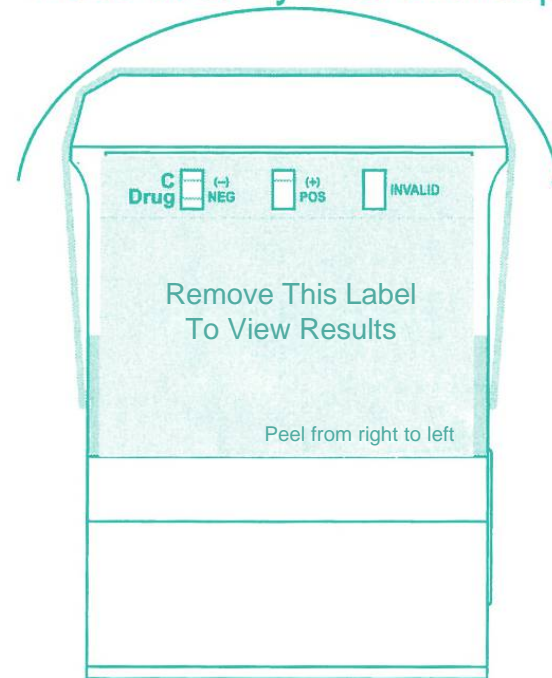
Procedure

Step 3

Check cap for tight seal. Technician dates and initials the security seal and places security seal over cap.

Date _____	Initials _____	Security Seal
------------	----------------	----------------------

Place security seal over cup

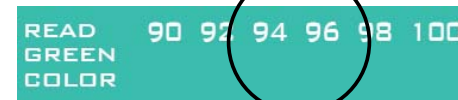


Procedure

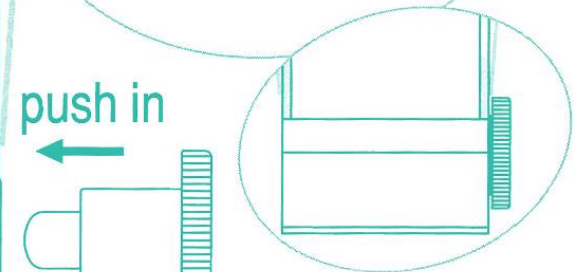
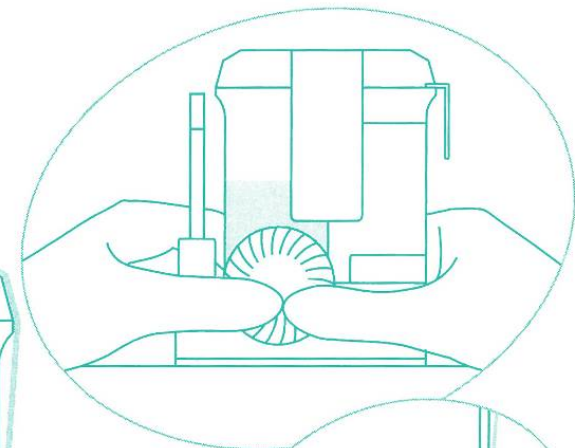
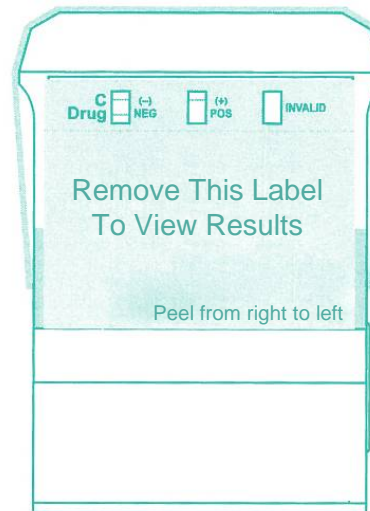
Step 4

Check temperature strip for adequate range.

On a flat surface, technician inserts key and pushes in.



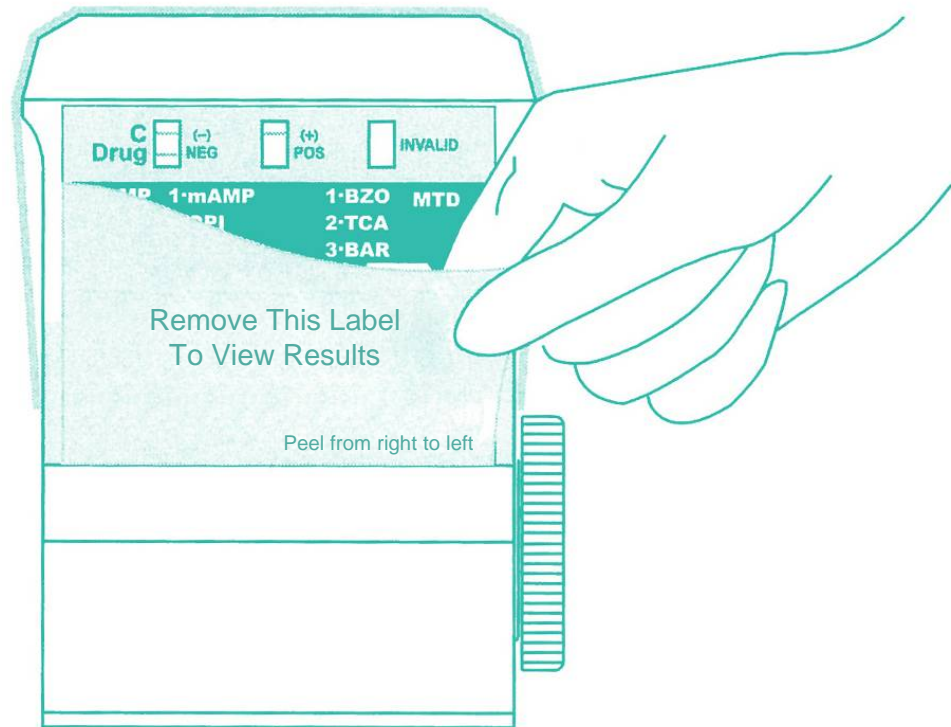
← Temperature Strip



Procedure

Step 5

Peel off the label to view results.



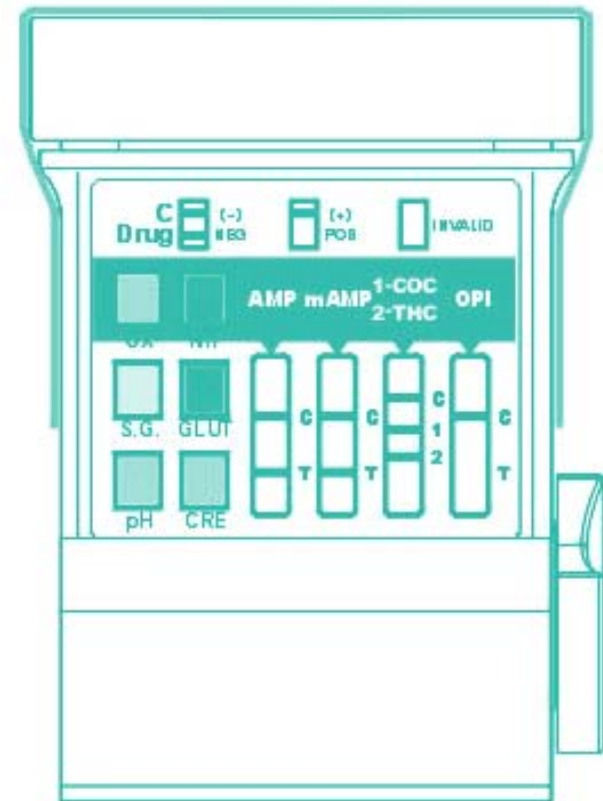
Procedure

Step 6

If the test cup includes S.V.T., read adulteration test results between 3 - 5 minutes.



3 - 5
Minutes



 Adulteration Strips

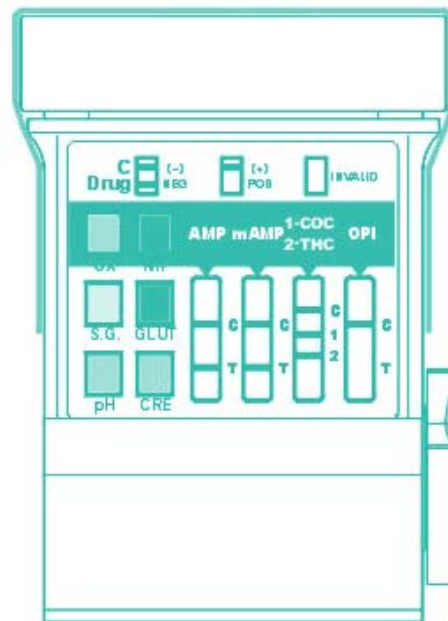
See color chart and package insert for interpretation.

Procedure

Step 7

Read drug test results at 5 minutes.

Example: Test shows positive for OPI.



Read results at 5 minutes.



All positive results are presumptive and should be confirmed by an alternative method. (e.g. GC/MS)

Procedure

Step 8

A photocopy of the drug test results can be made by placing the entire cup with the card face down on the copier.

