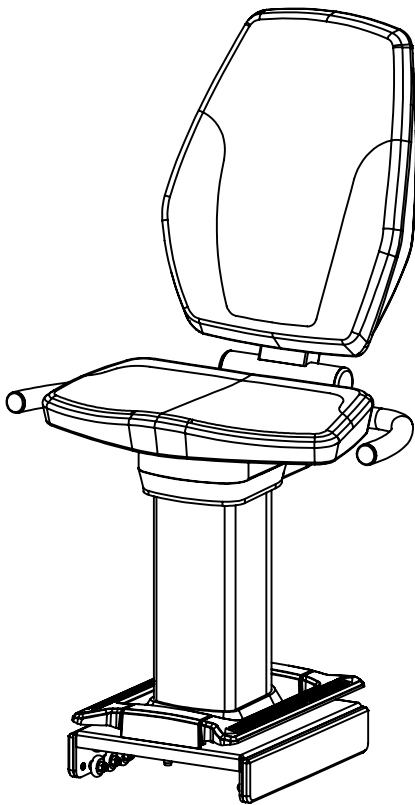


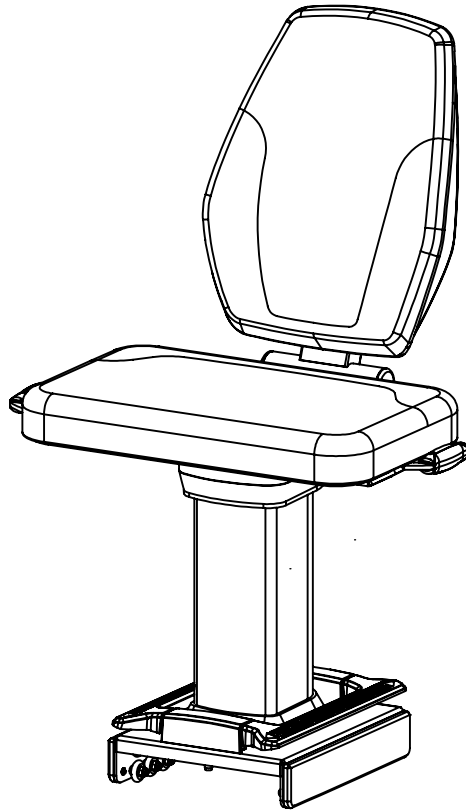


Prescribed for Progress™

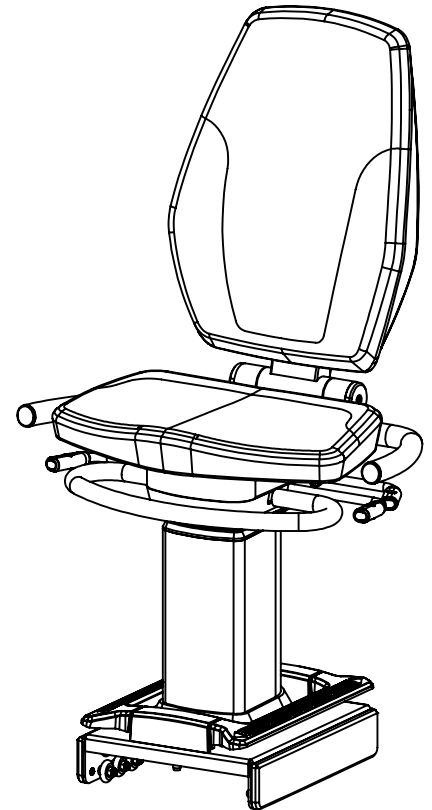
SCIFIT Seat System Owner's Operation Manual



STANDARD



BARIATRIC



PREMIUM



Before using this product, read this manual and follow all safety rules and operating instructions.



PAGE LEFT BLANK

TABLE OF CONTENTS

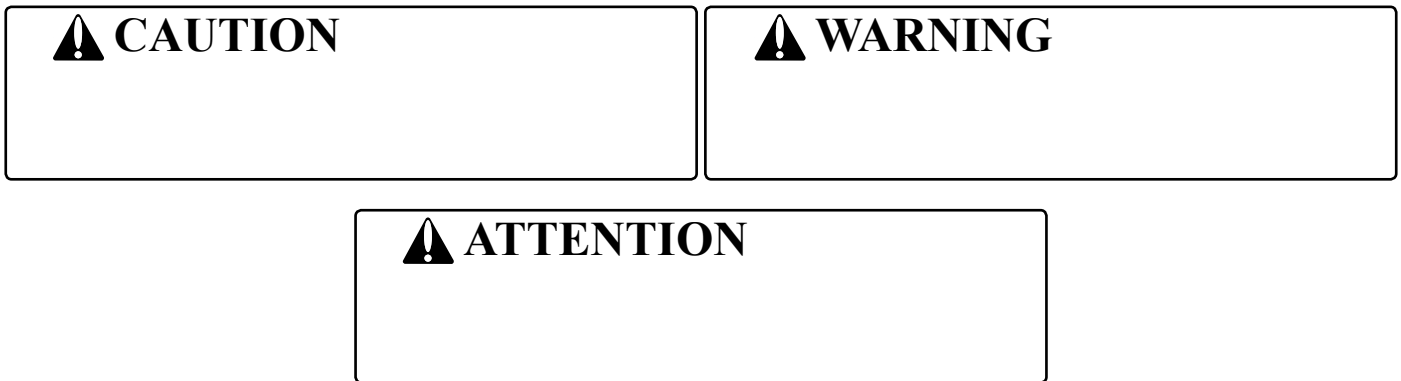
SAFETY INFORMATION	1
SPECIFICATIONS	2-4
INSTALLATION AND ADJUSTMENTS	5-10
SERVICE	11

Order on line 24/7 at www.SCIFIT.com

SAFETY INFORMATION

The purpose of the symbols seen below are to attract your attention to possible dangers. The “Caution”, “Warning” and “Attention” symbols with their associated explanations deserve your careful consideration. The warnings do not by themselves, eliminate any danger. The instructions or warnings they give are not substitutes for proper accident prevention measures.

Look for these symbols that will point out safety precautions or important information.



Read all of the manual before using your SCIFIT seat system. Save this manual for future reference.

Close supervision is necessary when the SCIFIT seat system is being used by or near children or individuals with disabilities.

Use the SCIFIT seat system only for its intended use as described in this manual. Do not use attachments not recommended by the manufacturer.

Do not use outdoors or in a harsh environment where water is present (i.e. pool or spa areas).

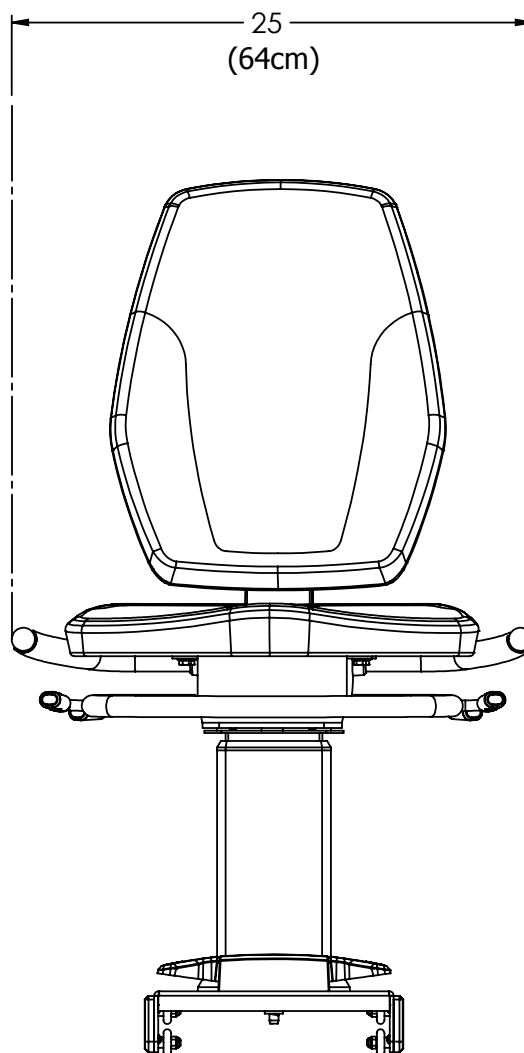
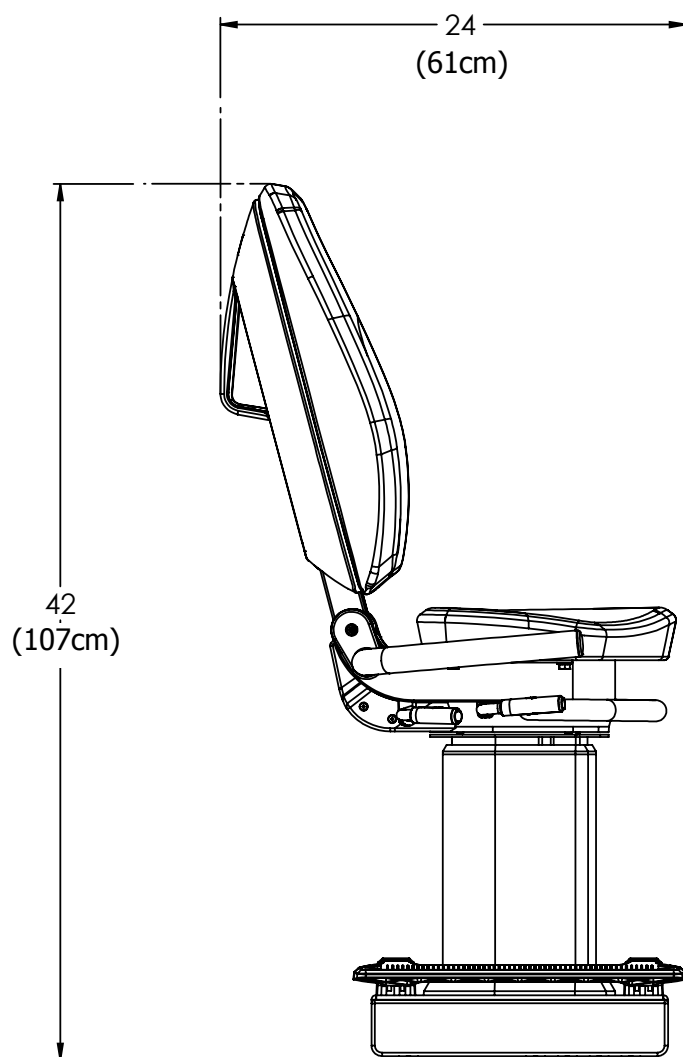
SPECIFICATIONS

PREMIUM SEAT

Max User Weight450 lbs (204 kg)

Seat Functions.....1. Swivel Right and Left
2. Adjustable Seat Height
3. Adjustable Forward and Backward Positioning
4. Adjustable Seat Back Reclining Positioning

Accessories Seat belt



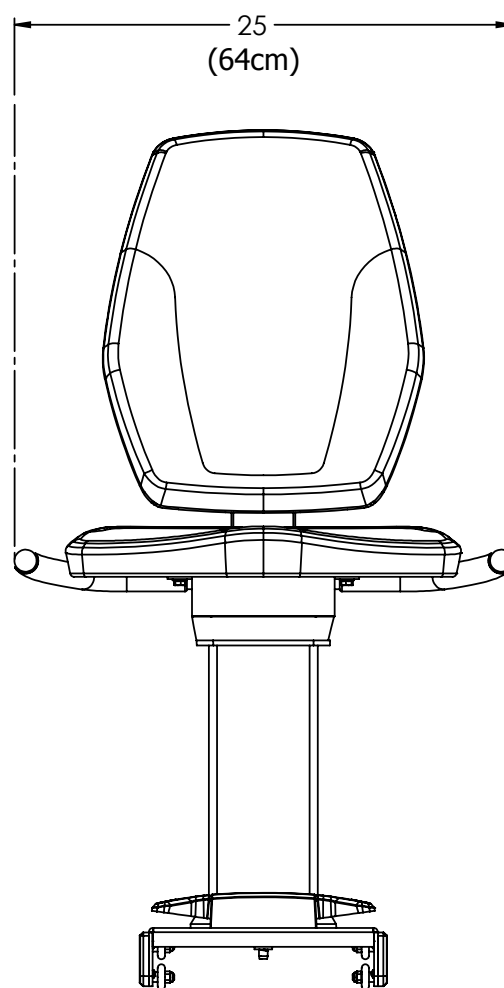
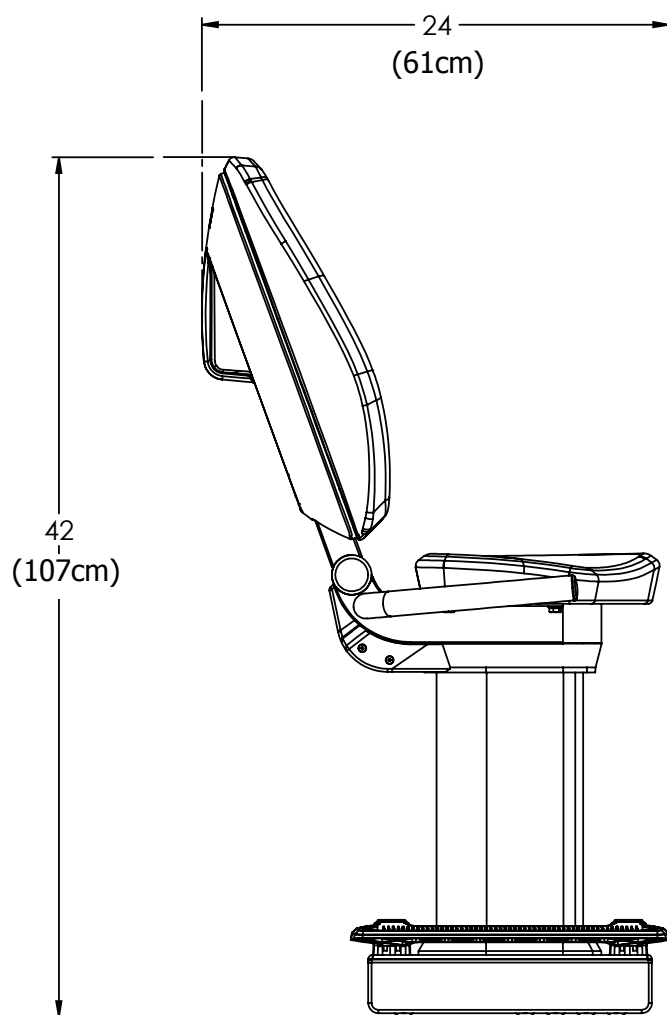
SPECIFICATIONS

STANDARD SEAT

Max User Weight500 lbs (227 kg)

Seat Functions.....1. Adjustable Forward and Backward Positioning

Accessories N/A



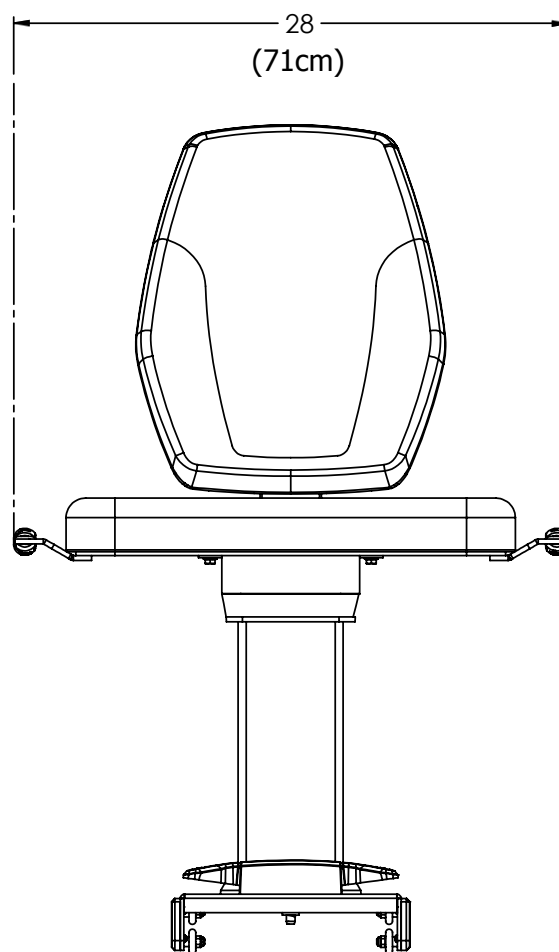
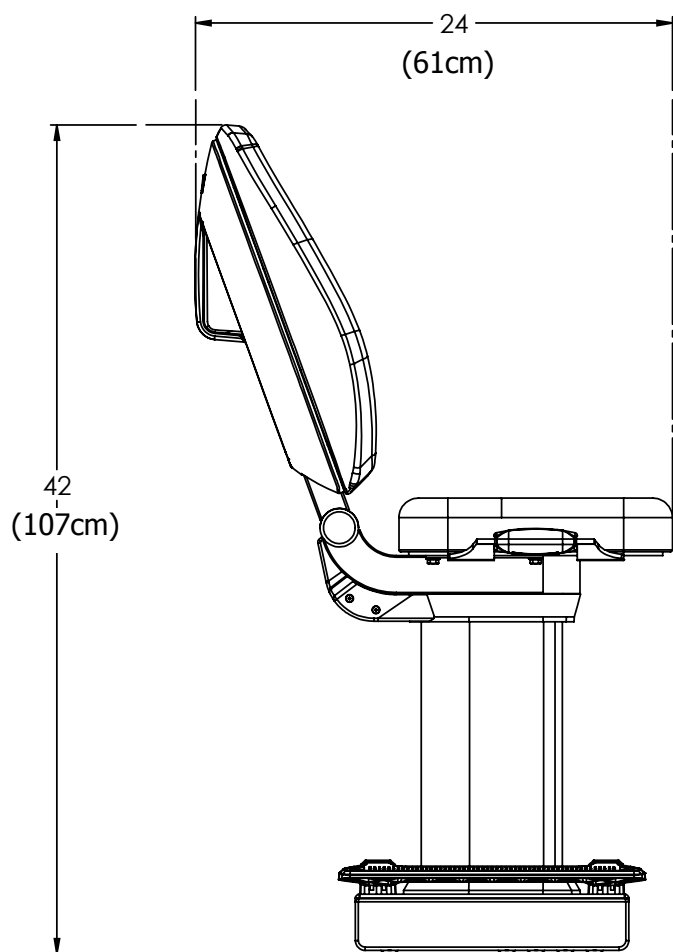
SPECIFICATIONS

BARIATRIC SEAT

Max User Weight600 lbs (272 kg)

Seat Functions.....1. Adjustable Forward and Backward Positioning

AccessoriesN/A



INSTALLATION AND ADJUSTMENTS

INSTALLING THE SEAT ASSEMBLY

WARNING

If the machine has to be moved DO NOT lift using the seat assembly. This may cause damage to the seat and prevent it from functioning properly.

STEP 1:

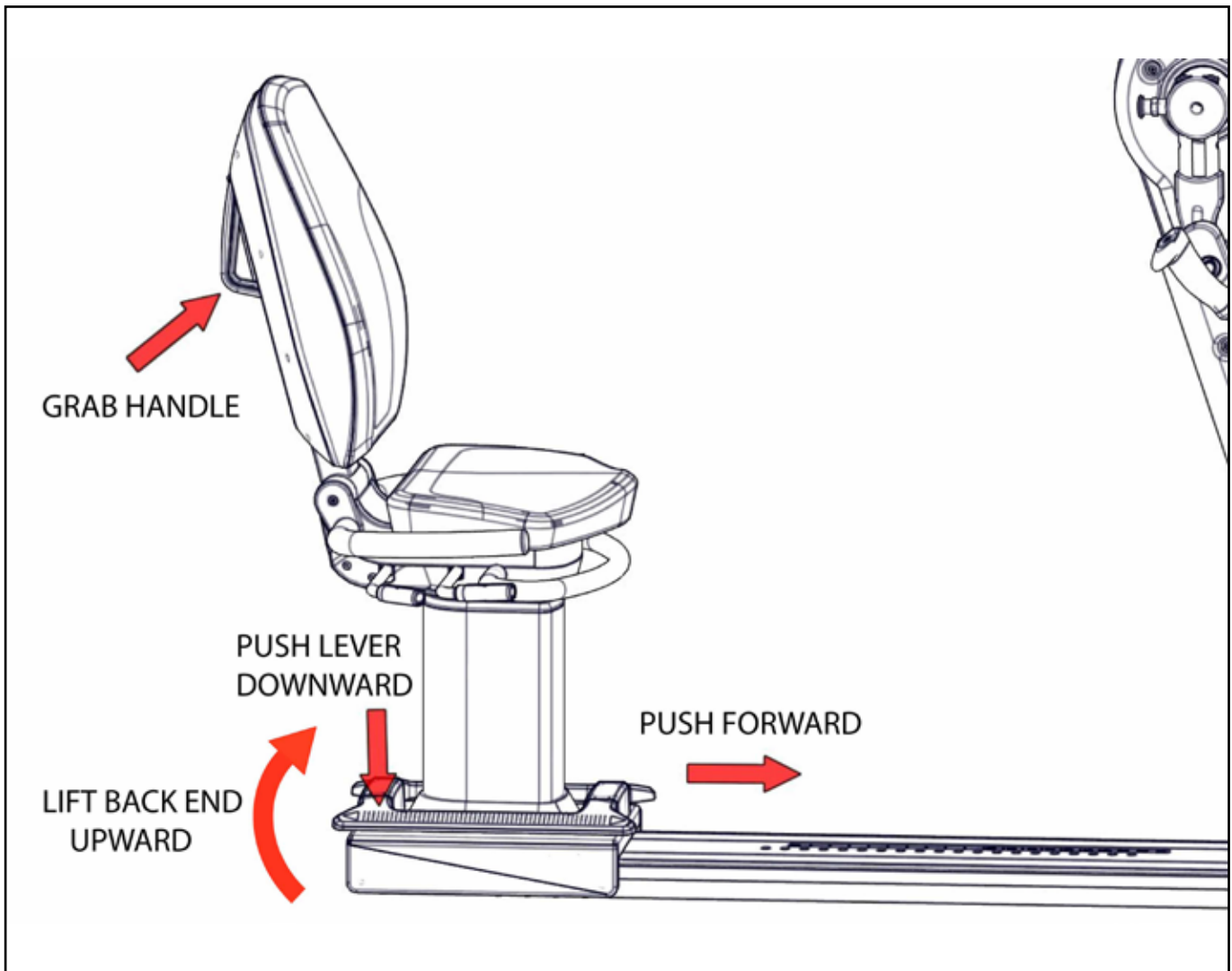
Align the front wheels of the seat base with the wheel guide rails and carefully lift the front end onto the rails.

STEP 2:

Stand behind the seat assembly and grab the handle on the back of the upper seat pad, then place your foot on one of the yellow foot levers pushing downward to raise the spring pin.

STEP 3:

With your foot still on the foot lever, push the seat assembly forward until you reach the desired position, then release the foot lever.

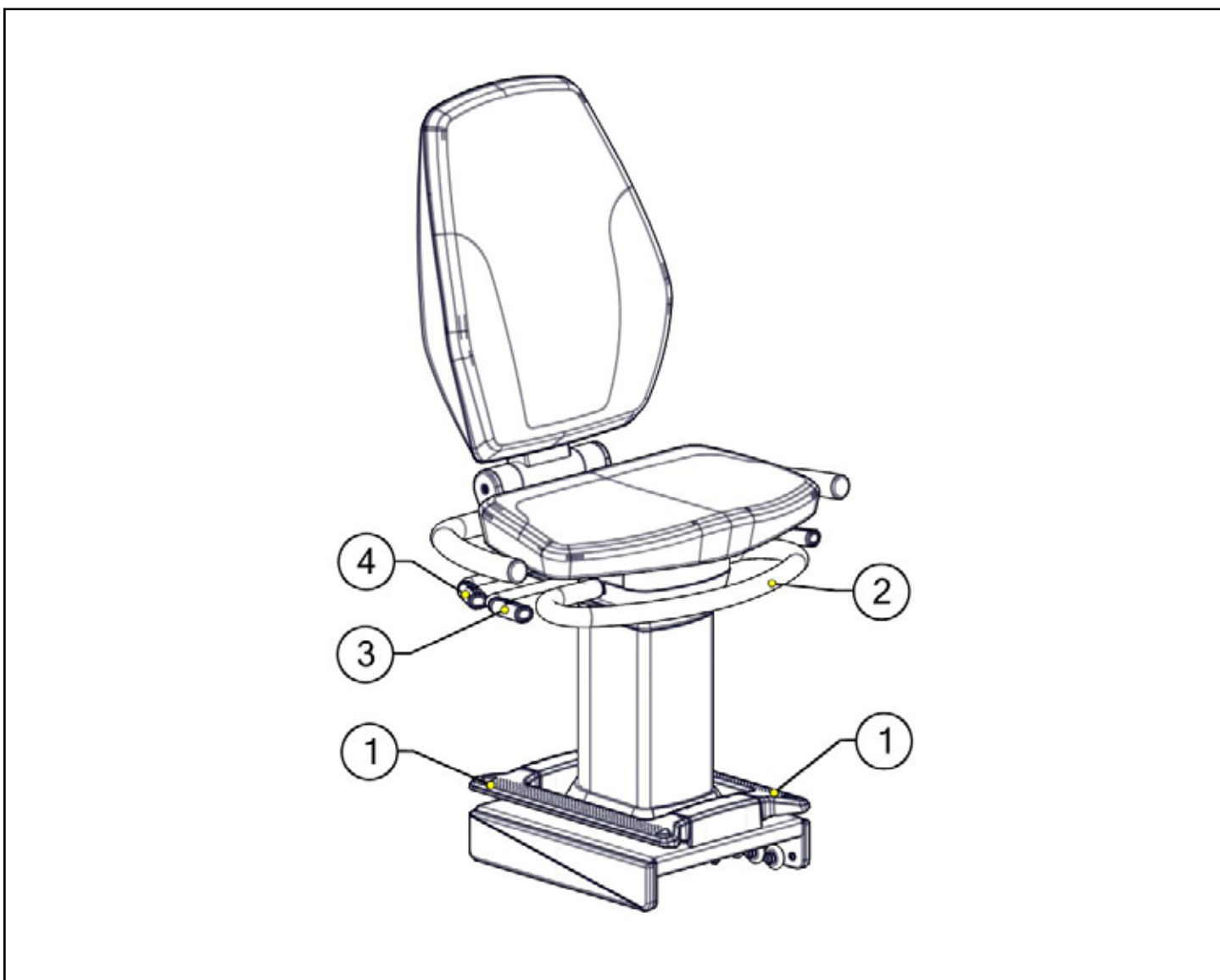


INSTALLATION AND ADJUSTMENTS

ADJUSTMENT HANDLE FUNCTIONS

This section will explain the different seat adjustment options on the SCIFIT seat system. Not all configurations will have the same adjustments available. Below are the locations and the adjustment function.

- ① Forward and backward adjustment foot levers. (Premium, Standard and Bariatric models)
- ② Seat height adjustment handle. (Premium model only)
- ③ Right/left swivel adjustment handle. (Premium model only)
- ④ Adjustable seat back reclining handle. (Premium model only)



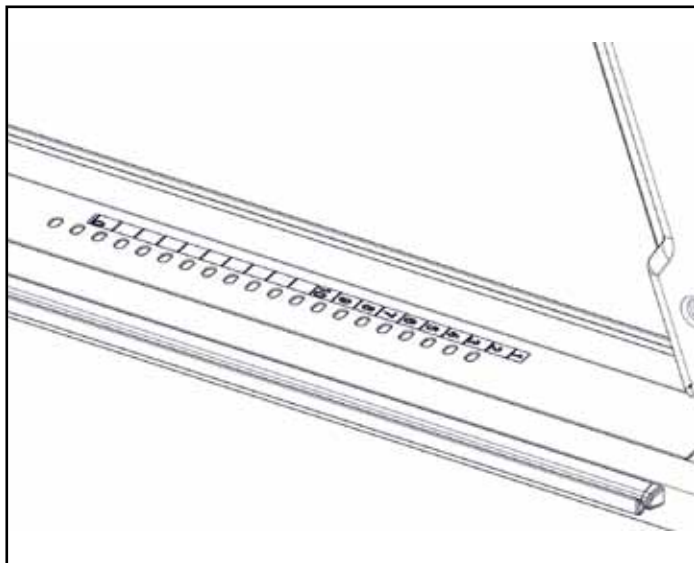
INSTALLATION AND ADJUSTMENTS

FORWARD AND BACKWARD ADJUSTMENT

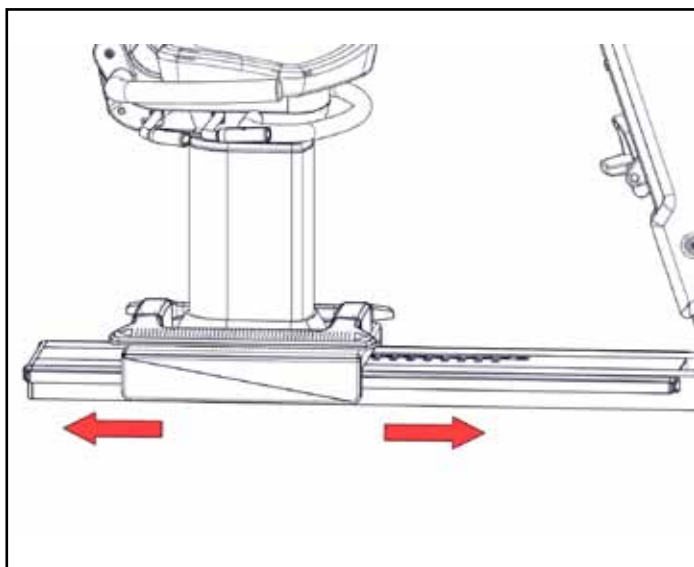
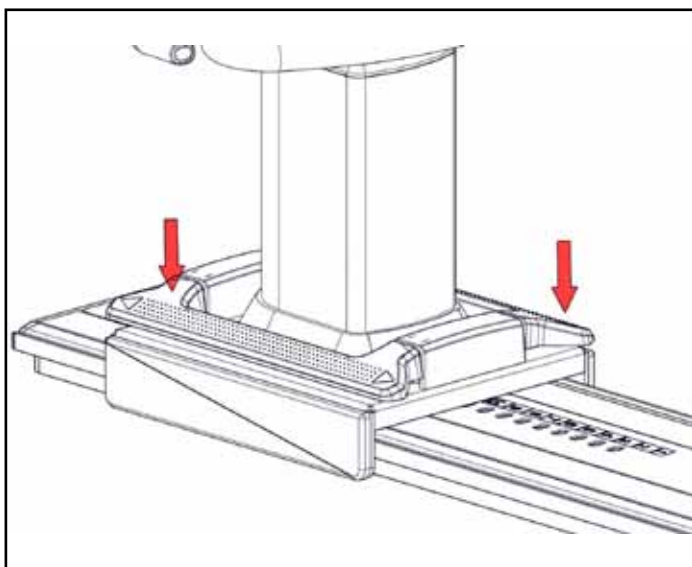
⚠ ATTENTION

Always position the seat to allow for a slight bend of both the arms and knees at their furthest extension during the workout.

All SCIFIT seat system models can be adjusted in 1” (25.4mm) increments along the machines seat pan and is held in place with a spring loaded adjustment pin.



To move the seat assembly push down on either left or right side yellow foot levers and hold, then push the seat assembly forward or backward to the desired position along the adjustment pan.



INSTALLATION AND ADJUSTMENTS

HEIGHT ADJUSTMENT (PREMIUM ONLY)

The seat height can be adjusted for a more comfortable sitting position during a workout by pulling upward on the large yellow handle located in the front of the seat assembly.

RAISING THE SEAT

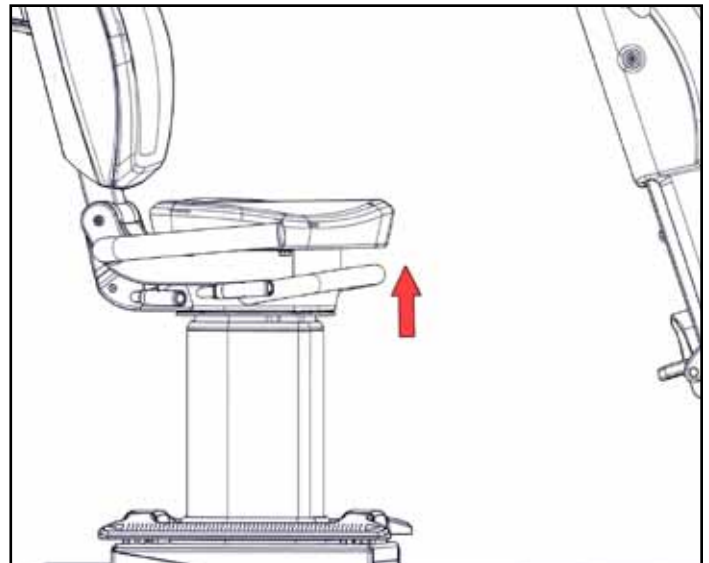
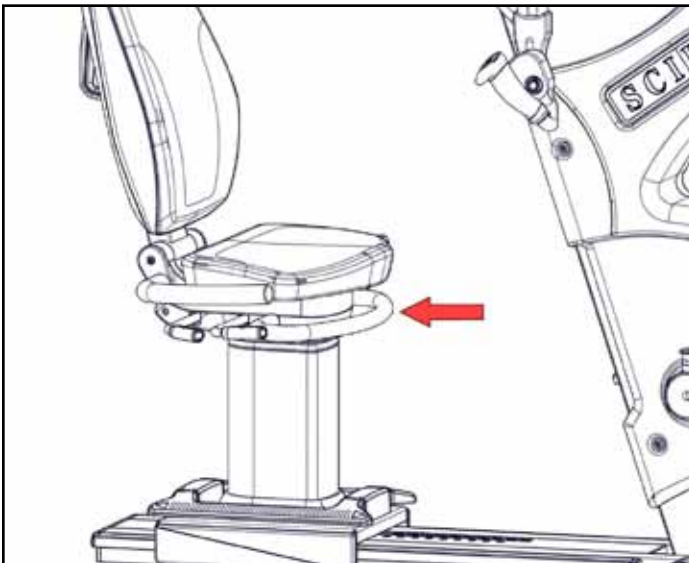
Stand next to the seat assembly, then pull the height adjustment handle upward and raise the seat to the desired height.

ATTENTION

No weight should be on the seat when raising.

LOWERING THE SEAT

Sit on the seat assembly, then grab the height adjustment handle and pull upward. Lower the seat to the desired height.

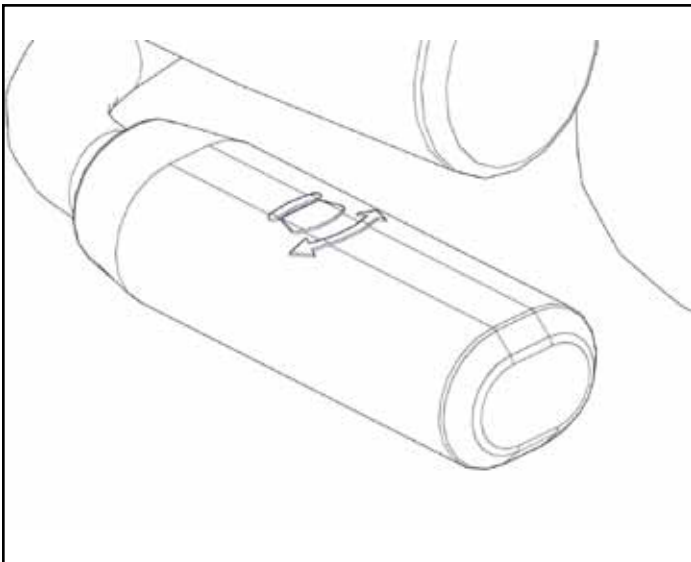


INSTALLATION AND ADJUSTMENTS

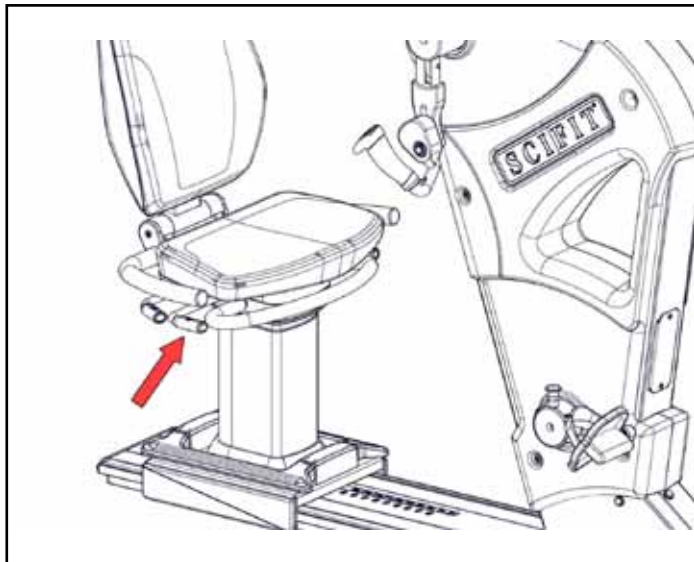
ADJUSTMENT (PREMIUM ONLY)

The seat assembly can swivel to the right or left making it easier for the user to sit into or exit the machine.

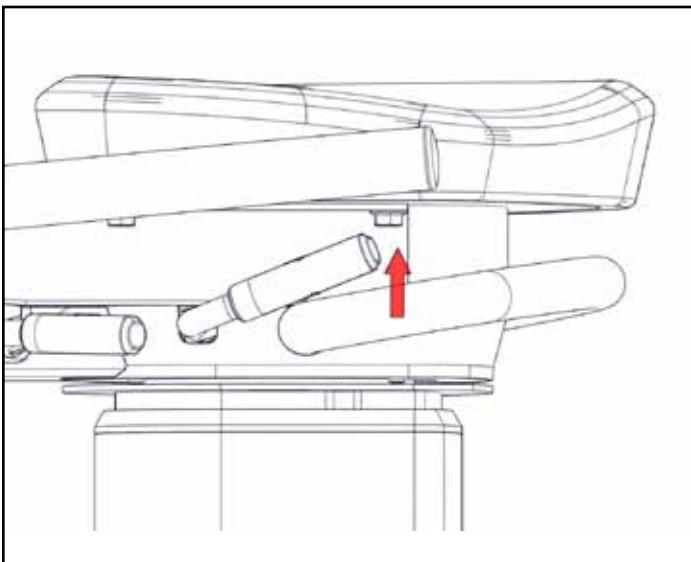
The swivel handles will have an emblem showing the swivel motion as shown.



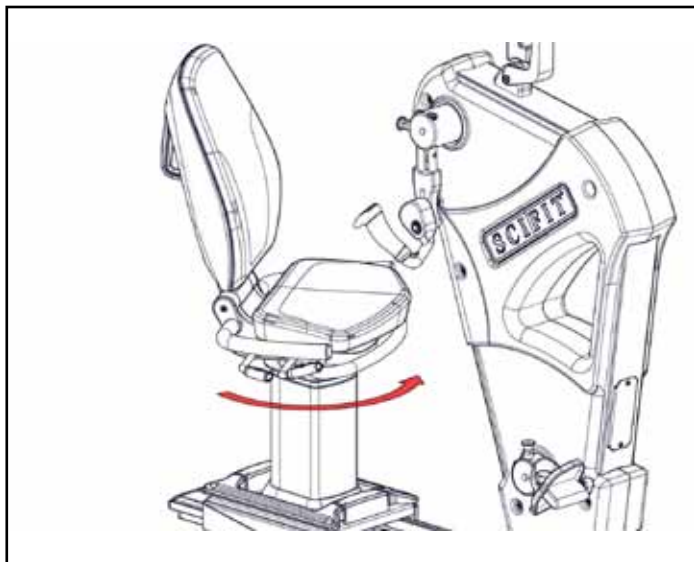
The handles are located on the right and left side of the seat.



Pull upward and hold the swivel handle.



The seat will then rotate right or left and lock into place at each 90 degree position.

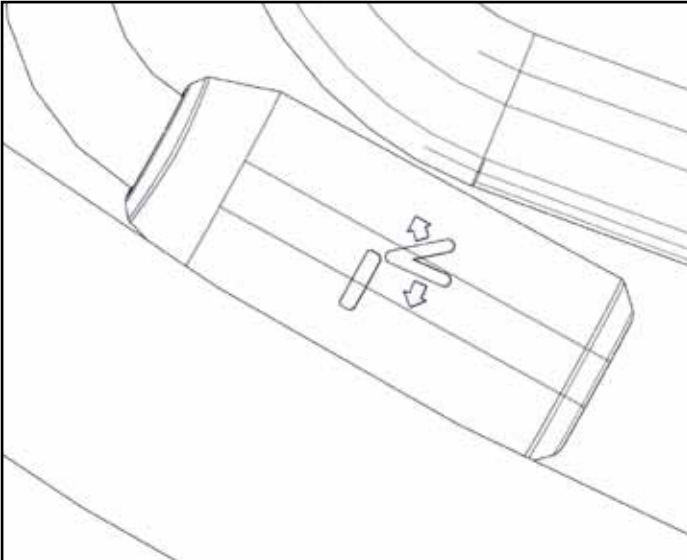


INSTALLATION AND ADJUSTMENTS

RECLINE ADJUSTMENT (PREMIUM ONLY)

The recline adjustment handle allows the user to set the upper seat back to a comfortable angle while working out.

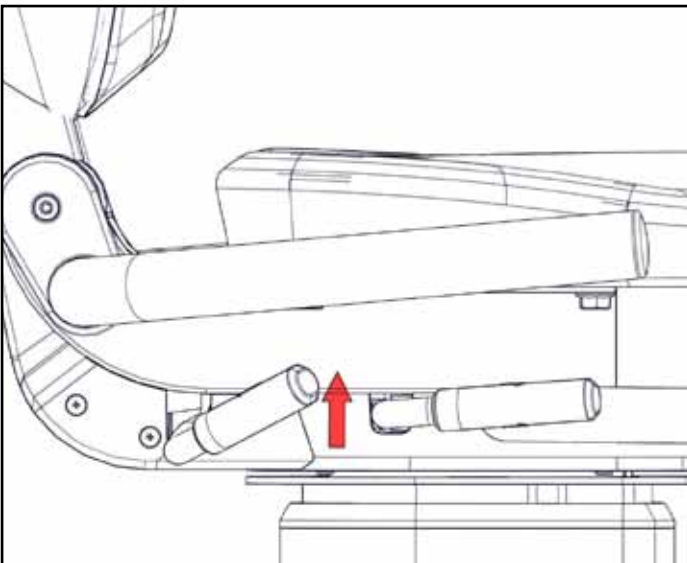
The recline handles will have an emblem showing the reclining motion as shown.



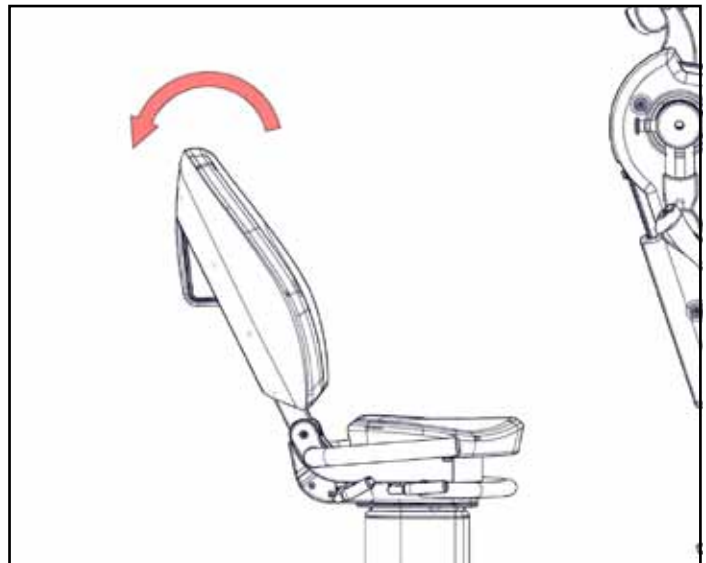
The handles are located on the right and left side of the seat.



To recline back, sit in the seat, then pull upward and hold the handle.



Lean back on the upper back pad until it is positioned at a comfortable angle for your workout.



ATTENTION

To place the upper seat back to its original position, lean forward and pull up on the recline handle. The seat back will then move into an upright position.

MAINTENANCE & SERVICE

UNITED STATES CUSTOMER SERVICE

For assistance in the service of SCIFIT products;

phone : +1 (800) 745-1373
fax : +1 (918) 359-2045
e-mail: service@scifit.com

The Product Support department is available by means of email. A voice mail service is available 24 hours a day for recording messages to request technical support and to order replacement parts. Our mailing address is:

SCIFIT Systems Inc.
5151 S. 110th E. Ave.
Tulsa, OK 74146
USA

UK & EUROPEAN CUSTOMER SERVICE

phone : +44 1344 300022
fax: +44 1344 868838
e-mail: info@scifit.uk.com



SCIFIT LTD (UK)
Lexham House
Forest Road
Binfield
Berkshire, RG42 4HP
UK

Company Number: 5970624 (UK)

***COUNTRIES OUTSIDE OF UK & EUROPE
PLEASE USE USA CONTACT NUMBERS***

Order online 24/ 7 at www.SCIFIT.com

PAGE LEFT BLANK



Prescribed for Progress™

Order online 24/7 at www.SCIFIT.com