



# TRI W-G®

215 - 12th Avenue NE  
Valley City, ND 58072-0905

1-800-437-8011  
triwg@triwg.com  
www.triwg.com

## FOR CUSTOMER ASSISTANCE

As a future reference, we suggest you record the information listed below for quick accessibility.

Model No.: \_\_\_\_\_

Serial No.: \_\_\_\_\_

Purchase Date: \_\_\_\_\_

Purchased From: \_\_\_\_\_

Tri W-G® Service:  
1-800-437-8011  
triwg@triwg.com

# USER MANUAL

P/N: 920-002-026

*For*

## Motorized Parallel Bars

**Standard Model: TWG.10.00.SD Series**

**&**

**Bariatric Model: TWG.10.00.BA Series**

*(with Instructions for Use)*



**Standard Model**



**Bariatric Model**



Read this manual before installing, operating, or maintaining this parallel bar. Failure to follow safety precautions and instructions could cause a system failure and result in serious injury, death or property damage.

LIMITED WARRANTY REGISTRATION CARD ENCLOSED



**TABLE OF CONTENTS**



INTRODUCTION .....2

1.0 RECEIVING INSPECTION .....2

2.0 UNCRATING .....2

3.0 INSTALLATION .....4

4.0 ASSEMBLY/INSTALLATION INSTRUCTIONS--A & B SECTIONS .....5

5.0 ASSEMBLY/INSTALLATION INSTRUCTIONS--A, B & C SECTIONS .....10

6.0 SAFETY/PRECAUTIONARY INSTRUCTIONS .....15

7.0 INTENDED USE .....20

8.0 INTENDED USER PROFILE .....20

9.0 INTENDED CONDITIONS of USE .....20

10.0 OPERATING INSTRUCTIONS .....20

11.0 MAINTENANCE .....21

12.0 SYMBOLS, INDICATORS, and DEGREE OF SAFETY .....22

13.0 WARNINGS and USAGE HINTS .....23

14.0 OTHER HAZARDS .....24

15.0 SPECIFICATIONS .....27

16.0 STARTUP CONDITIONS .....29

17.0 OPERATING CONDITIONS .....29

18.0 STORAGE CONDITIONS .....29

19.0 TRANSPORT CONDITIONS .....29

20.0 NOTICE .....29

21.0 TROUBLESHOOTING .....30

22.0 REPLACEMENT PARTS LOCATION SCHEMATIC .....31

22.1 REPLACEMENT PARTS .....32

23.0 SYSTEM SCHEMATIC .....33

24.0 DISPOSAL .....34

WARRANTY .....34

DISCLAIMER .....35

## **INTRODUCTION**

The purpose of the User Manual is to introduce the authorized user to the operating instructions on how to use and work with this medical device safely, and to conduct routine preventative maintenance procedures on the device. For this goal to be achieved, it is essential that all the authorized users/operators (“user”) read this manual carefully, and understand and practice the precautionary safety measures recommended in it. The owner and/or operating authority determines who the user is. **This User Manual can only be of any use if the operator and/or user has access to it at all times. Therefore, always keep a copy of it accessible to the operator and/or user near this device.**

**ANYONE OPERATING THIS DEVICE MUST READ THIS USER MANUAL.**

### **1.0 RECEIVING INSPECTION**

1.1 Inspect for visible damage of the crate(s). If there is outside damage, note on the shipping documents, and report to commercial carrier. Determine whether or not to accept or refuse the crate(s). Sign if appropriate.

### **2.0 UNCRATING**

2.1 Upon acceptance of the container, inspect for any damage to the device immediately following uncrating. In the event the device is damaged, **DO NOT** use parallel bar if damaged, file a merchandise damage report immediately with the delivering carrier. **DO NOT** return damaged merchandise to Tri W-G® unless instructed to do so. Call for a Return Authorization Number prior to returning any merchandise. **DO NOT** use parallel bar and/or any bar sections if they have been damaged.

2.2 Locate the assembly components/tools in the cardboard box containing the hand rails; you will need them to assemble the parallel bar after uncrating. Remove all packaging material from the parallel bar sections. Once again, inspect device for damage, including, but not limited to, the chain system underneath each of the parallel bar platform sections. In the event of shipping damage, report it to the delivering carrier and Tri W-G, Inc. immediately.

2.3 Refer to the following steps for proper uncrating as shown in Figures 2.3.1 through 2.3.4:

Figure 2.3.1

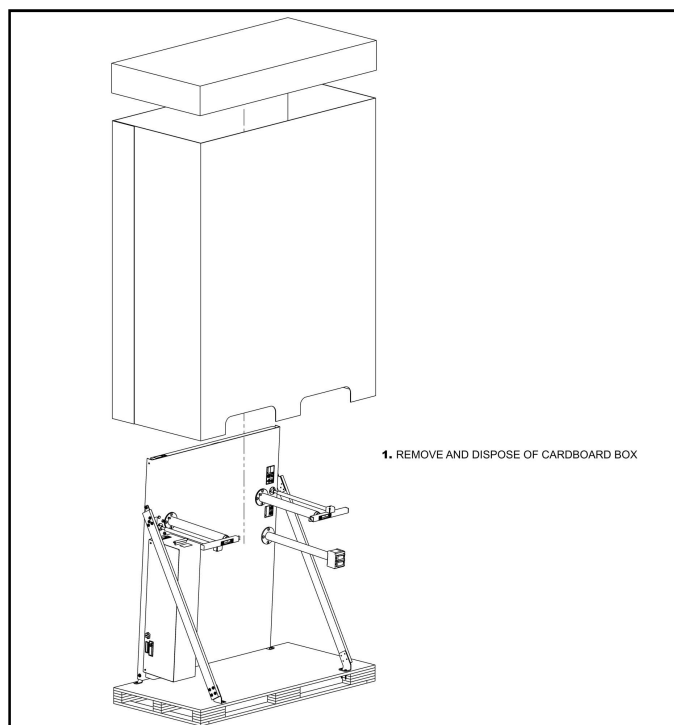


Figure 2.3.2

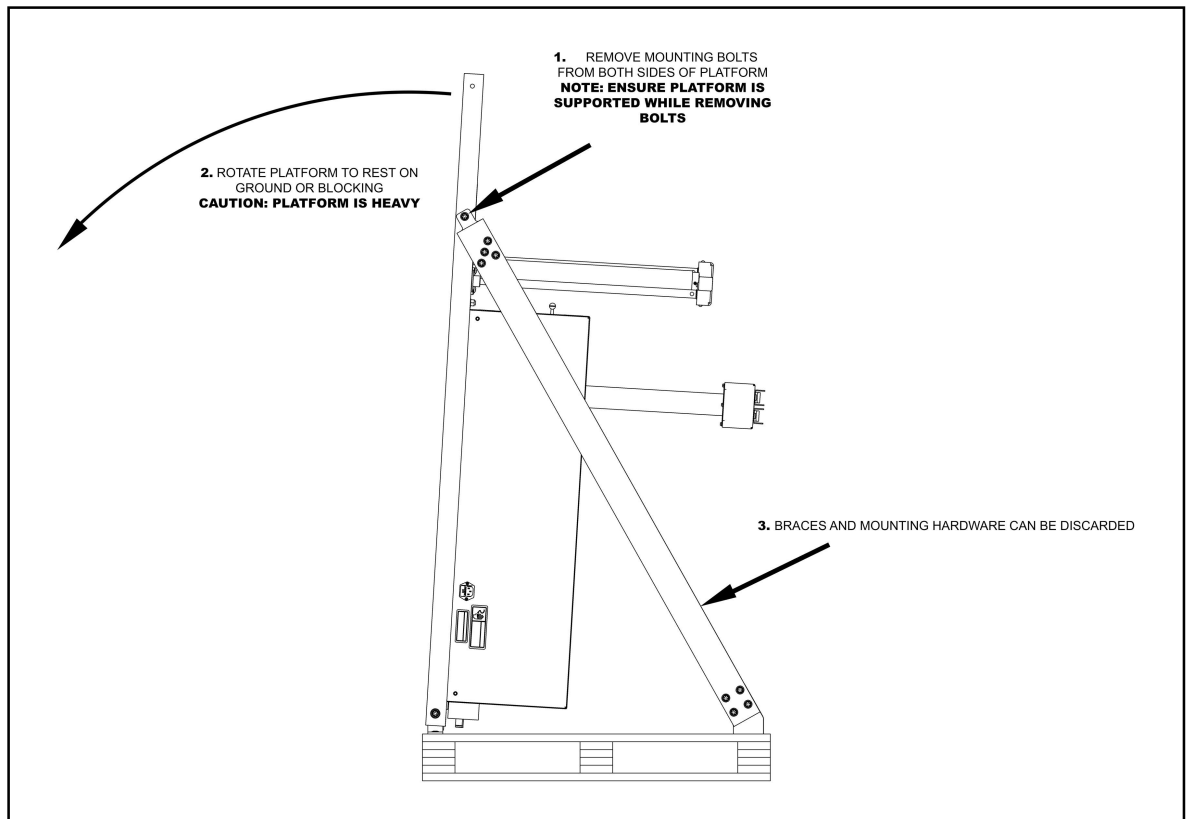


Figure 2.3.3

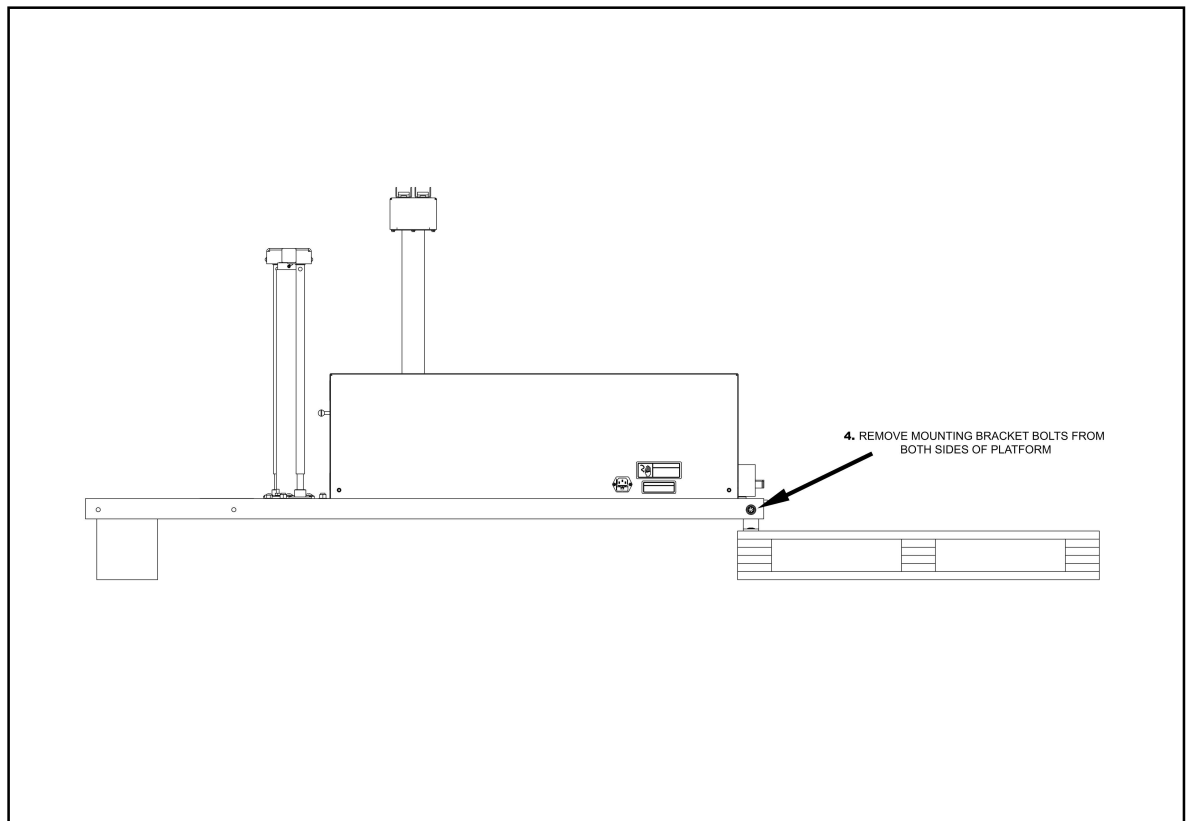
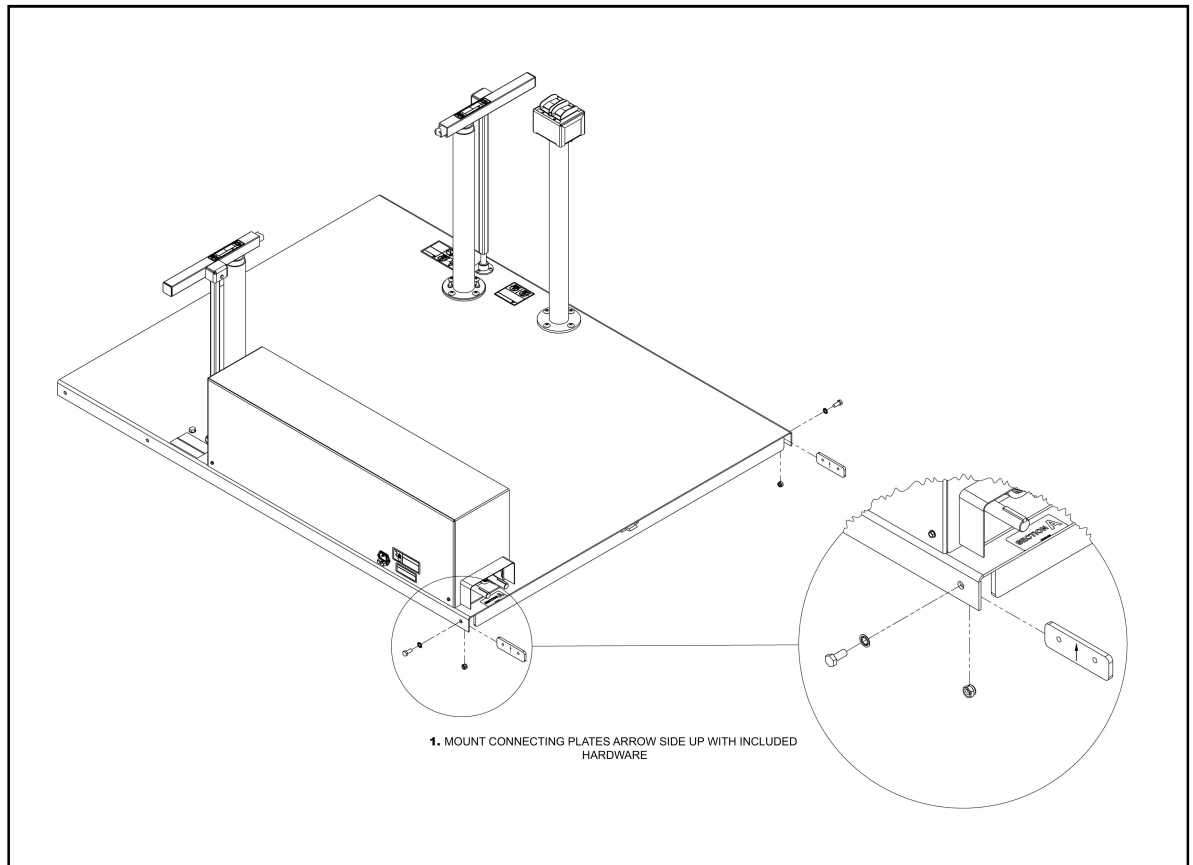


Figure 2.3.4



2.4 Properly dispose of/or recycle all packaging material.

### 3.0 **INSTALLATION**

3.1 **WARNING! Excessive Weight Hazard.** Use appropriate pallet jack(s), lifting devices, and/or equipment, adequate to lift approximately 650 lbs minimum, and we recommend four or more people to move/install the platform sections. Failure to do so may result in personal injury, death, and/or property damage. When moving the parallel bar sections/parallel bar to its desired location, use proper moving/lifting techniques and/or body mechanics per commercial carrier and/or the facility handling protocol or guidelines; this due to its immense weight and overall size.

3.2 **Stationary Device;** the parallel bar is not intended to be moved from one place to another. If applicable state laws require the device to be fastened or otherwise secured at a specific location either permanently or so that it can only be detached by means of a tool, this is an acceptable install. However, prior to affixing the parallel bar temporarily and/or permanently, installer must obtain specifications for doing so from Tri W-G,<sup>®</sup> Inc.; placing fasteners in the wrong location may cause the parallel bar to become inoperable.

3.3 There is some assembly required. (Refer to Assembly Instructions on page 3, Sec. 4.0)

3.4 Complete assembly process described in Sec. 4.0, Assembly Instructions, before powering-up (connecting to a live electrical receptacle or mains power source).

3.5 The power supply cord serves as a disconnect device from the main power source and/or as the on/off switch. Do not unplug by pulling on the cord. To unplug, grasp the plug, not the cord. **DO NOT** handle mains plug with wet hands. The receptacle shall be installed near the parallel bar and shall be easily accessible. The device has an appliance inlet with external accessible fuses in the line and neutral. The replacement fuses must be 5 x 20mm-10 Amp-Time Lag Fuses with High Breaking Capacity with a rated voltage of 250 VAC, 150 VDC. When changing the fuses, one must unplug the power supply cord from the main source of power.

3.6 The parallel bar should be placed in a location based on its intended use. Position the parallel bar in an area having flat/level floors so that the parallel bar is not distorted out of alignment.

3.7 Arrange power supply cord away from the traffic area and where it will not be tripped over.

3.8 **DO NOT** use with an extension cord.

3.9 **STAY ALERT**, watch what you are doing and apply common sense.

#### **4.0 ASSEMBLY/INSTALLATION INSTRUCTIONS -- A & B SECTIONS**

4.1 Instructional Steps:

**Step 1--LOCATION/ORIENTATION.** Recheck the parallel bar location and its orientation: 1) floor must be level; 2) orientation of parallel bar allows for adequate space at each end of the parallel bar for wheelchair maneuverability; 3) a hospital grade electrical receptacle is nearby. Using an extension cord in conjunction with the parallel bar mains power cord does not meet the electrical code; therefore, any use of an extension cord is not acceptable.

**Step 2--ASSEMBLY COMPONENTS.** 1) Power Cord, 1 ea.; 2) Allen Wrenches, 6 ea. (1/16, 3/32, 1/8, 5/32, 3/16 and 1/4); 3) Shaft Line Cover Screws, 4 ea.; 4) Handrail Socket Head Cap Screws, 5/16-18 x 1, 4 ea.; A small rubber mallet and a 1/2 inch socket wrench are required to assemble, but not provided.

**Step 3--CAUTION.** **DO NOT** rotate line shafts extended from the motors on section "A" or those located on the non-motor section "B". The line shafts have been timed and limit control adjustments set at the factory. Any questions you may have during assembly regarding the line shafts, please call the Tri W-G Service Department at 1-800-437-8011.

**Step 4--CONNECT SECTIONS "A" & "B".** Align the motor section "A" with the non-motor section "B" as shown in Figures 4.1.1 and 4.1.2. As previously noted, the line shafts, keyways and couplers are already in alignment from the factory. Gently slide the motor section "A" into the non-motor section "B" and fasten the two together using the 5/16-18 x 3/4 hex head cap screws w/ star washer (*use the hex head cap screws and star washers removed from the shipping crate mounts as the fasteners*). Connecting plates are located on both sides of the section platforms and tapped to receive hex head cap screws.

Figure 4.1.1

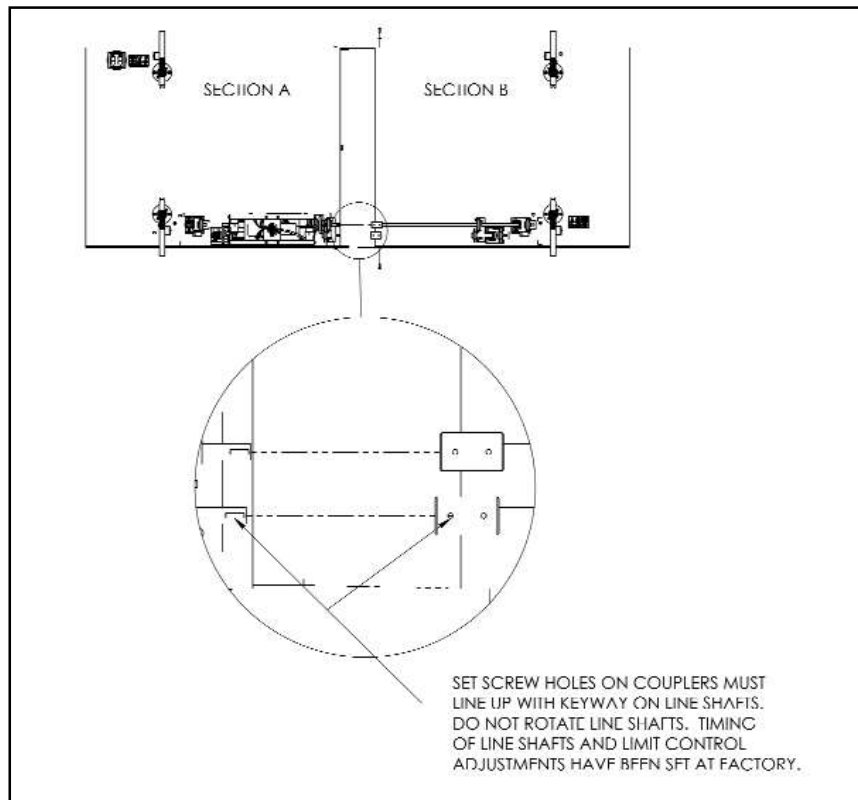
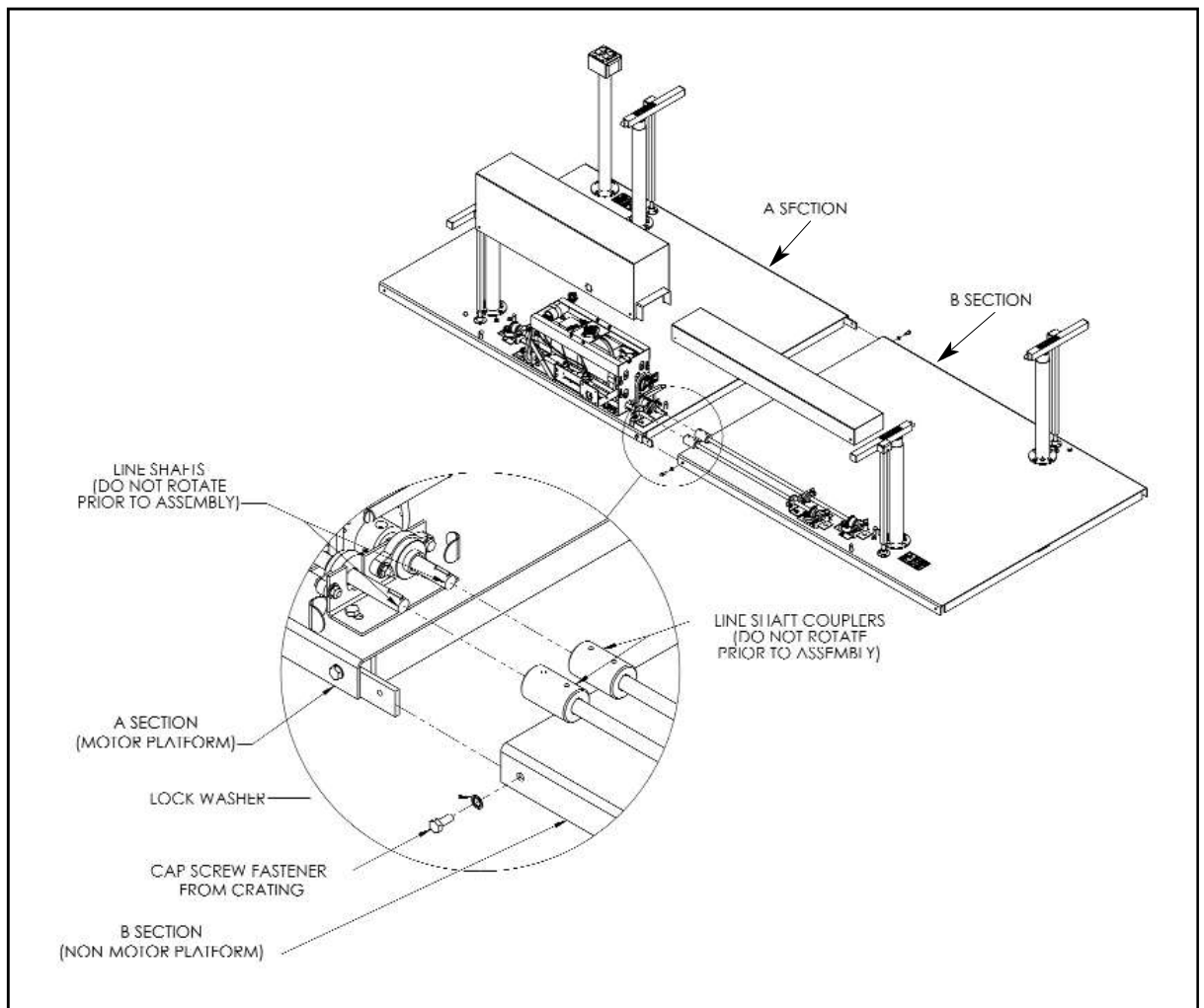


Figure 4.1.2





**Step 5--CONNECT LINE SHAFT COUPLERS.** Slide the line shaft couplers located on section “B” onto the line shafts in section “A”. A gentle tap, using a rubber mallet, on the line shaft couplers on section “B” may be necessary to slide them onto the line shafts on section “A”. Align the line shaft couplers directly across from each other, fully engaging them onto the keyway; then tighten set screws on couplers with allen wrenches provided.

**Step 6--INSTALL LINE SHAFT COVER.** Simply place the line shaft cover over the line shaft mechanism and fasten using the four self-tapping screws provided.

**Step 7--ATTACH HANDRAILS.** Connect the handrail sections as shown in Figure 4.1.3 as follows: Two of the handrails have a handrail sleeve inserted into them at the factory with the set screws tightened. Take the two handrails without sleeve inserts and insert them as per the markings on the handrails. Make sure the tapped holes are aligned with on both handrail tubes. Once joined, tighten the set screws; you now have two handrails ready to install onto the parallel bar stanchions. The countersunk holes on the handrail supports must be facing toward the middle or center of the parallel bar. Then, fasten the handrails to the stanchions of the parallel bar as shown in Figure 4.1.4, using the socket head cap screws, 5/16-18x1 provided.

Figure 4.1.3

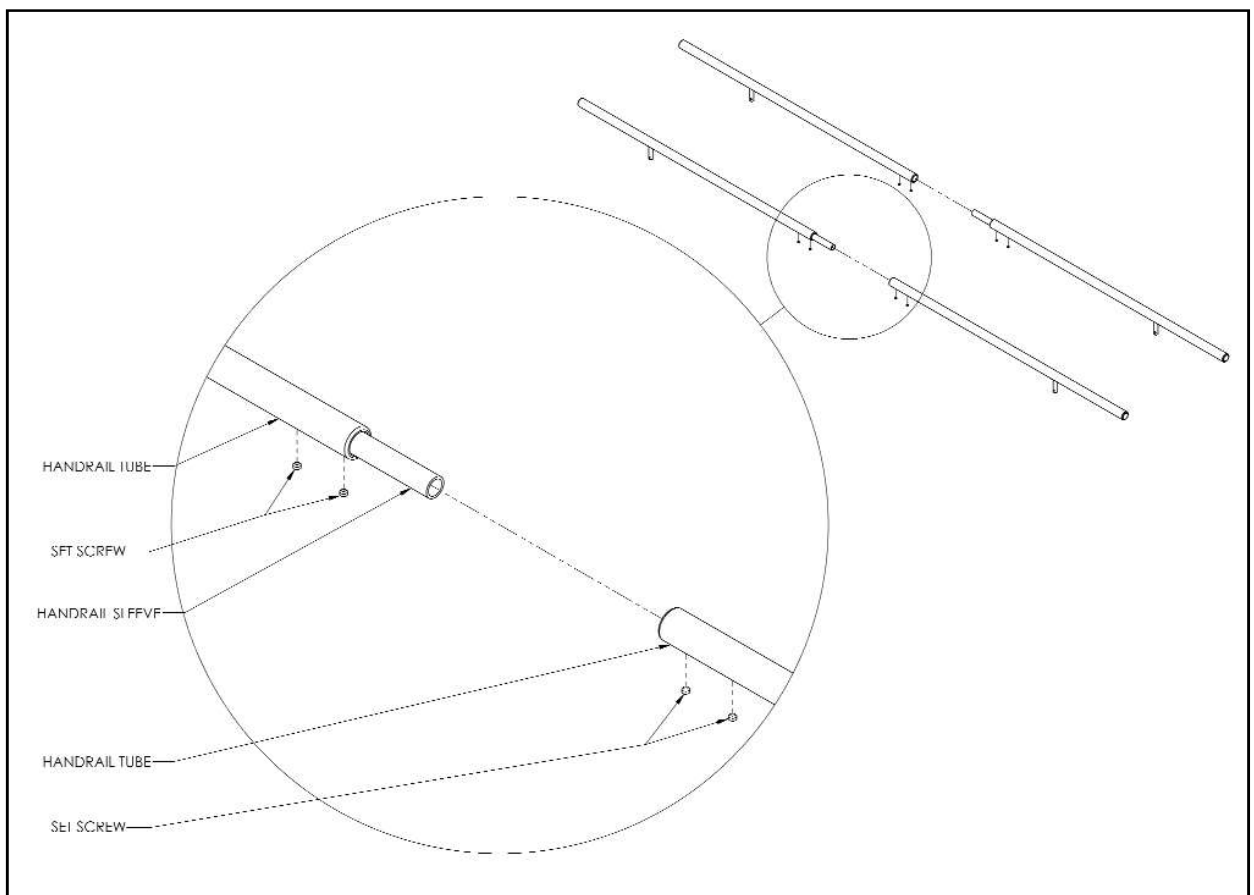
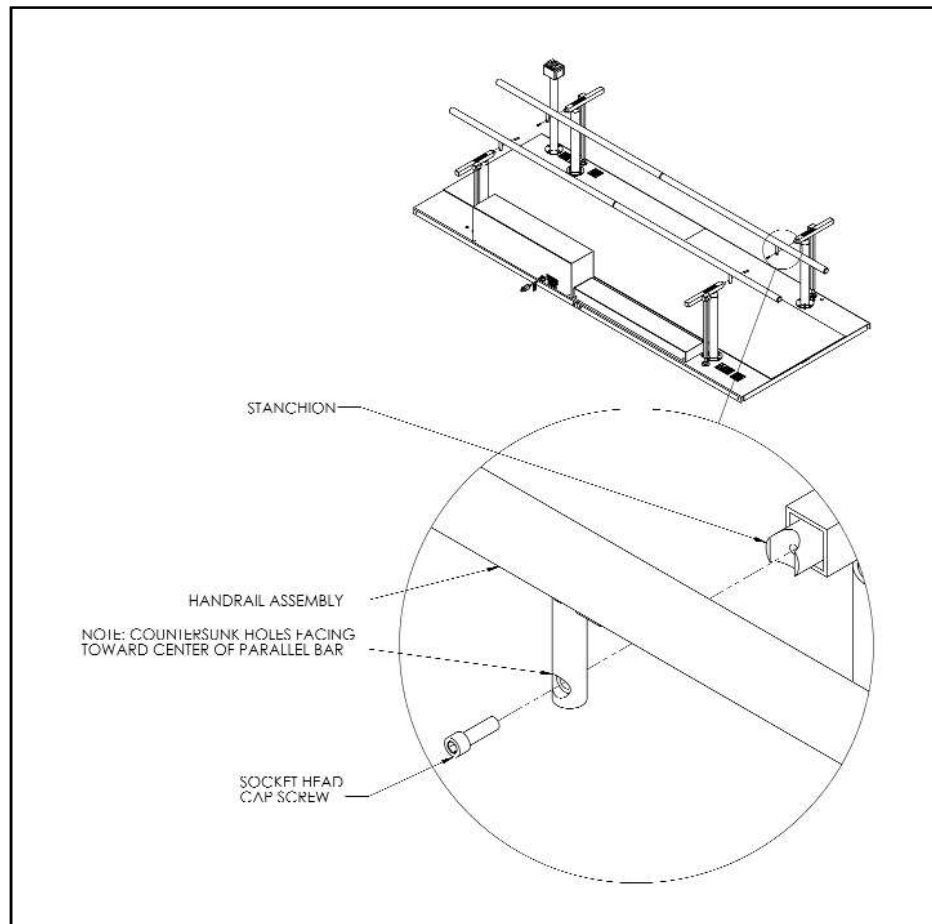


Figure 4.1.4



**Step 8--FINAL INSPECTION PRIOR TO POWERING UP DEVICE.** Visually inspect handrails for horizontal and vertical alignment. If the floor is not level or is irregular, some variation will be apparent. The parallel bar will operate with the handrails slightly distorted; however, there may be excessive noise and due to the possibility of a slight distortion existing, some binding may occur; hence, the life cycle of the parallel bar may be shortened. Every effort should be made to correct any distortion of the parallel bar and/or move the parallel bar to a different location. If need be, give our Tri W-G Service Department a call at 1-800-437-8011

**Step 9--RUNNER MAT PLACEMENT.** A runner mat has been provided to lay on top of the parallel bar platform. It should be placed down the center of the parallel bar as shown in Figure 4.1.5. It is approximately 12 inches longer than the overall length of the parallel bar, including any tapered extension attachments. After runner has been positioned on the parallel bar platform, allow it to lay flat at room temperature allowing any distortions in the runner mat to dissipate. End user may cut runner mat to length desired. With runner mat cut to desired length, cut double sided tape to the correct overall width of the mat. Peel one side off of the tape, place it at the edge of the platform or tapered extension (if one has been added), as shown in Figure 4.1.6. Using one's hand, press the tape down onto the platform or tapered extension. Now, peel the tape protector film off the double backed tape and lay the runner mat down (*make sure it is aligned correctly prior to laying it down*). Using your hand, press runner mat down on top of tape. Upon completion of placement, by observation, make sure there are no issues which would cause someone to trip on the runner mat.

Figure 4.1.5

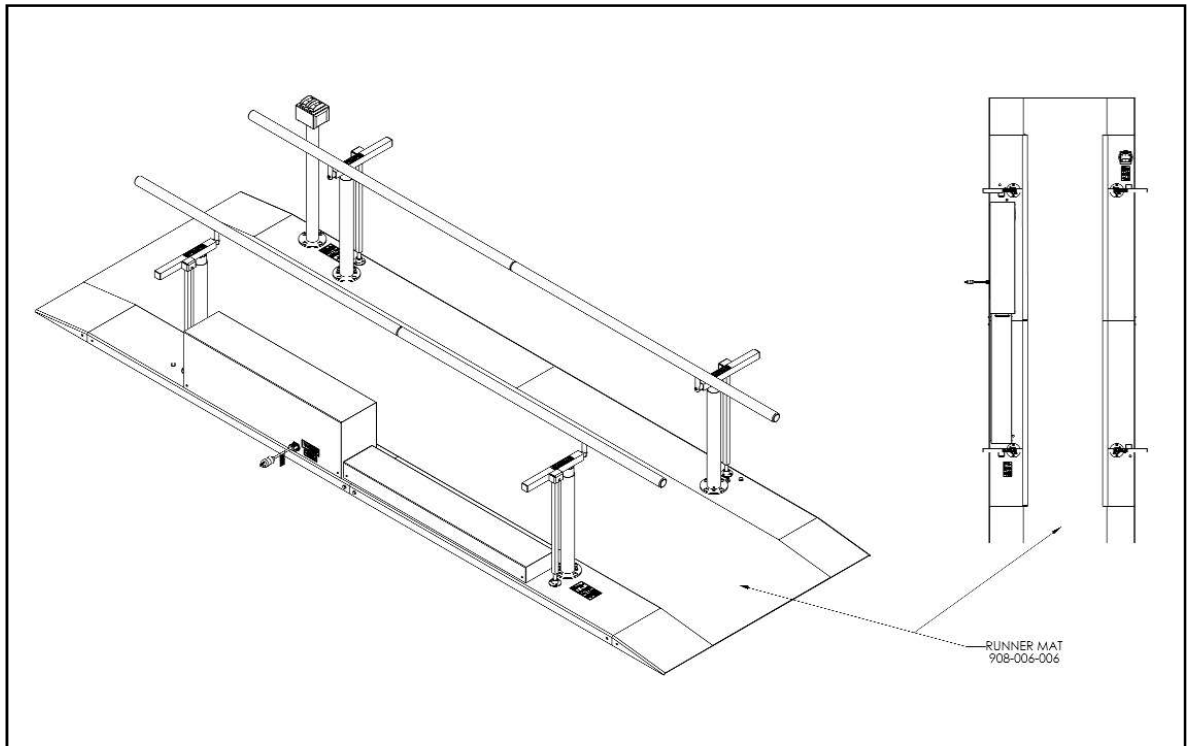
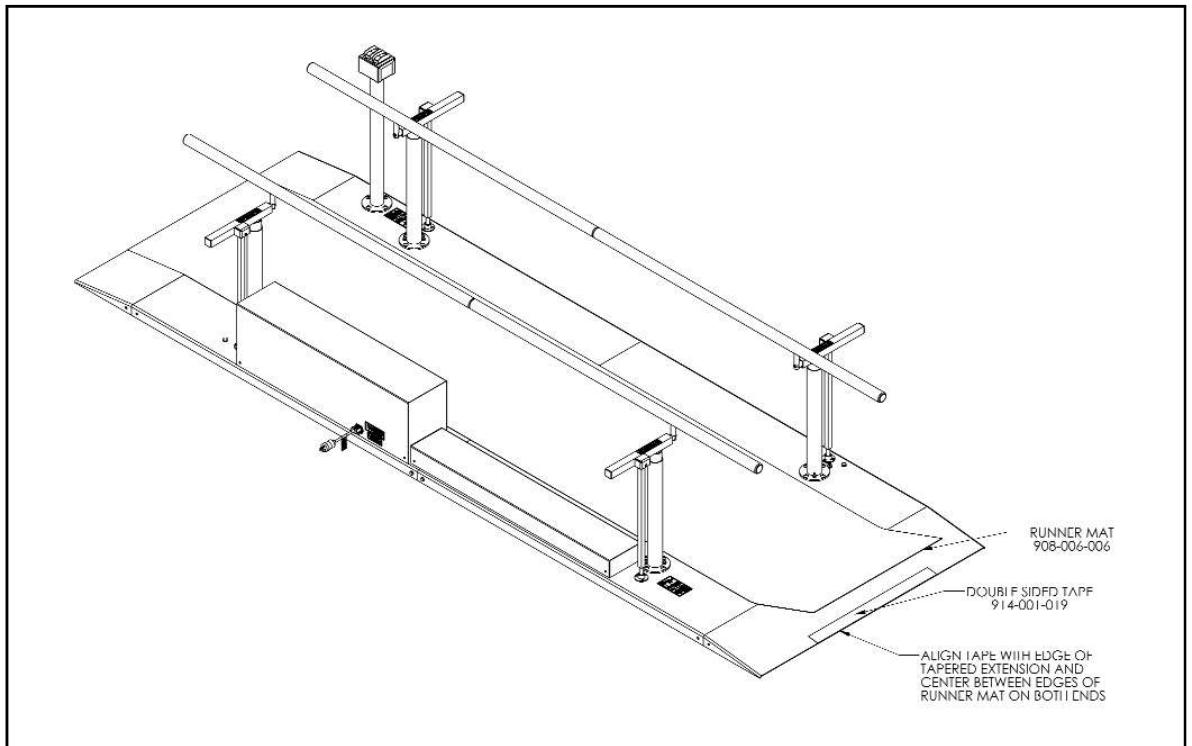


Figure 4.1.6



**Step 10--ATTACHED POWER SUPPLY CORD.** Connect/plug-in power cord to the appliance inlet on motor housing cover and to a properly grounded 115 Volt AC receptacle conforming to the relevant state and nationally recognized electrical codes, and follow the procedure outlined in Section 5.0 "Safety/Precautions Instructions" in this User Manual. Proceed to test the electrical functionality of the parallel bar by maneuvering the parallel bar rails vertically (up and down) and horizontally (in and out) checking for noise and/or any irregularity in its operation. The parallel bar should operate smoothly and be ready for use.

## 5.0 ASSEMBLY/INSTALLATION INSTRUCTIONS -- A, B & C SECTIONS

### 5.1 Instructional Steps:

**Step 1--LOCATION/ORIENTATION.** Recheck the parallel bar location and its orientation: 1) floor must be level; 2) orientation of parallel bar allows for adequate space at each end of the parallel bar for wheelchair maneuverability; 3) a hospital grade electrical receptacle is nearby. Using an extension cord in conjunction with the parallel bar mains power cord does not meet the electrical code; therefore, any use of an extension cord is not acceptable.

**Step 2--ASSEMBLY COMPONENTS.** 1) Power Cord, 1 ea.; 2) Allen Wrenches, 6 ea. (1/16, 3/32, 1/8, 5/32, 3/16 and 1/4); 3) Shaft Line Cover Screws, 12 ea.; 4) Handrail Socket Head Cap Screws, 5/16-18 x 1, 6 ea.; A small rubber mallet and a 1/2 inch socket wrench are required to assemble, but not provided.

**Step 3--CAUTION. DO NOT** rotate line shafts extended from the motors on section "A", those located on the non-motor section "B" and middle section "C". The line shafts have been timed and limit control adjustments set at the factory. Any questions you may have during assembly regarding the line shafts, please call the Tri W-G Service Department at 1-800-437-8011.

**Step 4--CONNECT SECTIONS "A", "B" & "C".** Align the motor section "A" with the middle section "C" as shown in Figures 5.1.1 and 5.1.2. As previously noted, the line shafts, keyways and couplers are already in alignment from the factory. Gently slide the motor section "A" into the middle section "C" and fasten the two together using the 5/16-18 x 3/4 hex head cap screws w/ star washer (*use the hex head cap screws and star washers removed from the shipping crate mounts as the fasteners*). Connecting plates are located on both sides of the section platforms and tapped to receive hex head cap screws.

Upon completing the aforementioned procedures, repeat the procedure for connecting the non-motor section "B" as follows: Align the middle section "C" with the non-motor section "B" as shown in Figures 5.1.1 and 5.1.2. Again, as previously noted, the line shafts, keyways and couplers are already in alignment from the factory. Gently slide the non-motor section "B" into the middle section "C" and fasten the two together using the 5/16-18 x 3/4 hex head cap screws w/ star washer (*use the hex head cap screws and star washers removed from the shipping crate mounts as the fasteners*). Connecting plates are located on both sides of the section platforms and tapped to receive hex head cap screws.

Figure 5.1.1

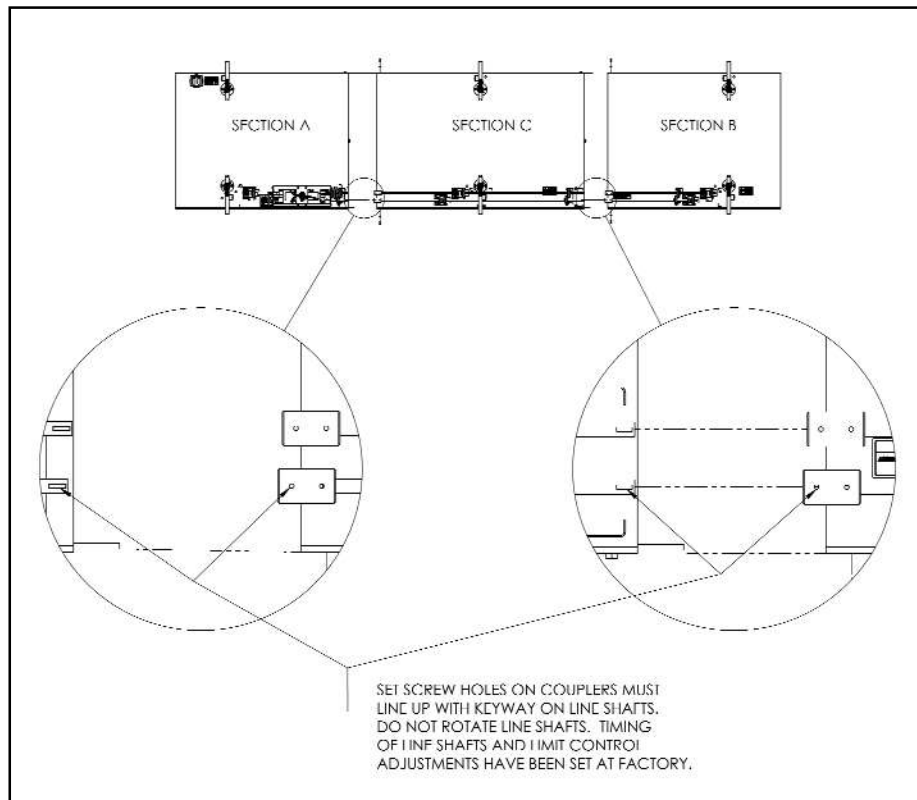
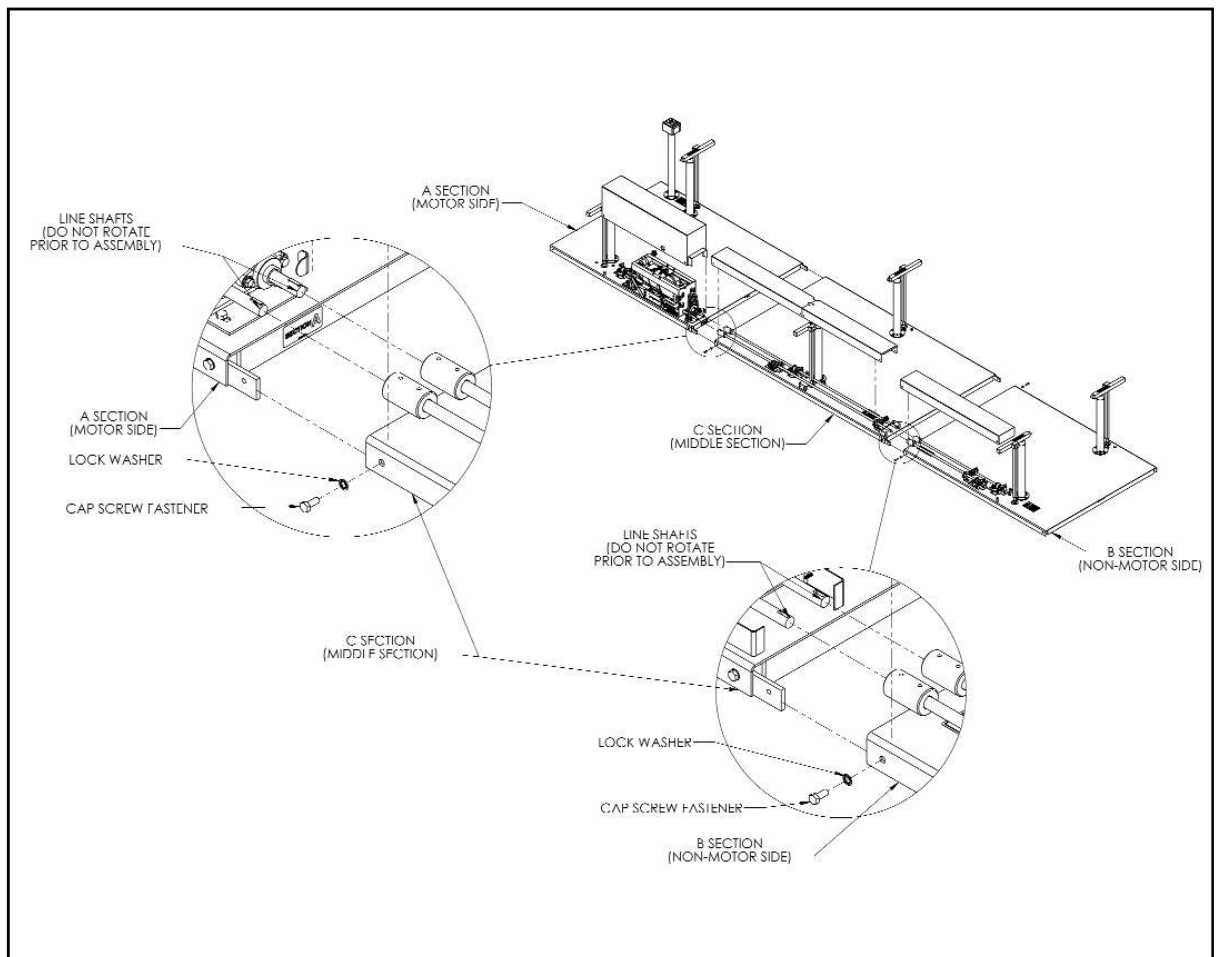


Figure 5.1.2



**Step 5--CONNECT LINE SHAFT COUPLERS.** Slide the line shaft couplers located on section “C” onto the line shafts in section “A”. A gentle tap, using a rubber mallet, on the line shaft couplers on section “C” may be necessary to slide them onto the line shafts on section “A”. Align the line shaft couplers directly across from each other, fully engaging them onto the keyway; then tighten set screws on couplers with allen wrenches provided.

Upon completing the aforementioned procedure, repeat the procedure for connecting the non-motor section “B”, as follows: Slide the line shaft couplers located on section “B” onto the line shafts in section “C”. A gentle tap, using a rubber mallet, on the line shaft couplers on section “B” may be necessary to slide them onto the line shafts on section “C”. Align the line shaft couplers directly across from each other, fully engaging them onto the keyway; then tighten set screws on couplers with allen wrenches provided.

**Step 6--INSTALL LINE SHAFT COVER.** Simply place the line shaft cover over the line shaft mechanism and fasten using the self-tapping screws provided.

**Step 7--ATTACH HANDRAILS.** Connect the handrail sections as shown in Figure 5.1.3 as follows: Four of the handrails have a handrail sleeve inserted into them at the factory with the set screws tightened. Take the handrails without sleeve inserts and insert them as per the markings on the handrails. Make sure the tapped holes are aligned with on both handrail tubes. Once joined, tighten the set screws; you now have two handrails ready to install onto the parallel bar stanchions. The countersunk holes on the handrail supports must be facing toward the middle or center of the parallel bar. Then, fasten the handrails to the stanchions of the parallel bar as shown in Figure 4.1.4, using the socket head cap screws, 5/16-18x1 provided.

Figure 5.1.3

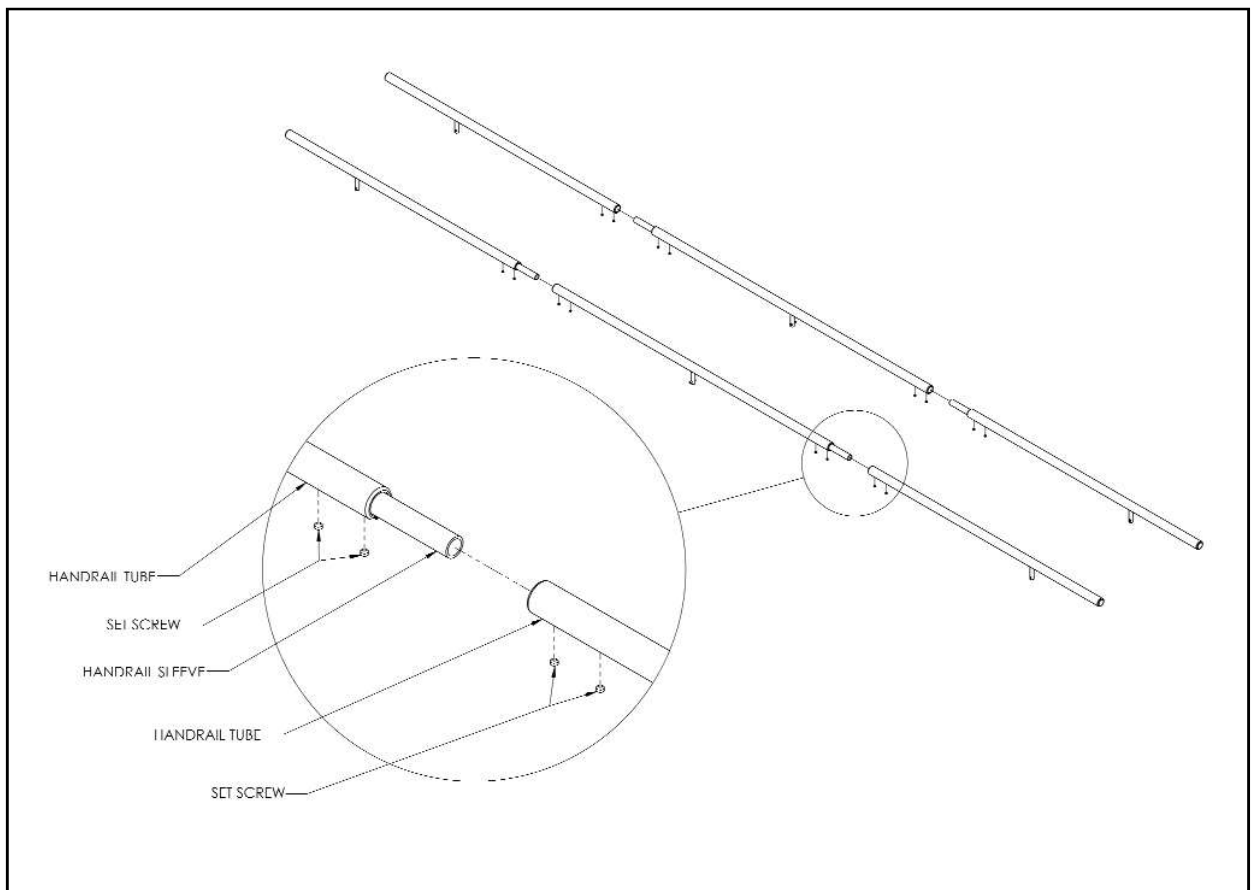
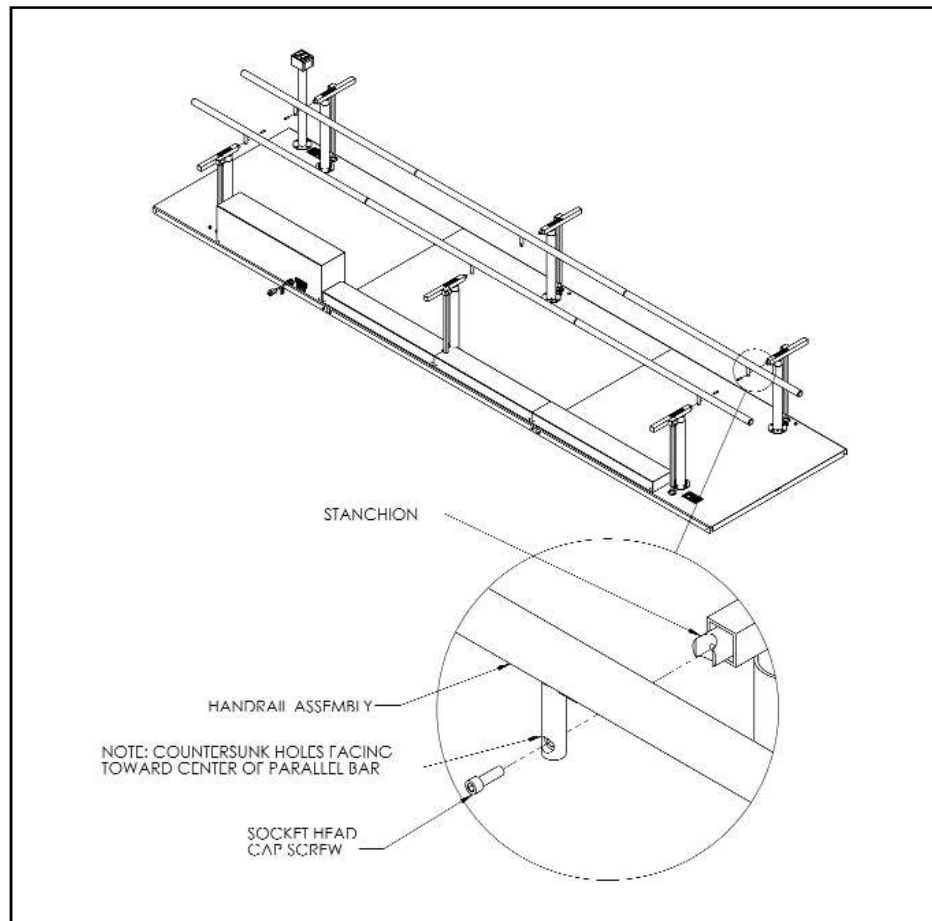


Figure 5.1.4



**Step 8--FINAL INSPECTION PRIOR TO POWERING UP DEVICE.** Visually inspect handrails for horizontal and vertical alignment. If the floor is not level or is irregular, some variation will be apparent. The parallel bar will operate with the handrails slightly distorted; however, there may be excessive noise and due to the possibility of a slight distortion existing, some binding may occur; hence, the life cycle of the parallel bar may be shortened. Every effort should be made to correct any distortion of the parallel bar and/or move the parallel bar to a different location. If need be, give our Tri W-G Service Department a call at 1-800-437-8011

**Step 9--RUNNER MAT PLACEMENT.** A runner mat has been provided to lay on top of the parallel bar platform. It should be placed down the center of the parallel bar as shown in Figure 4.1.5. It is approximately 12 inches longer than the overall length of the parallel bar, including any tapered extension attachments. After runner has been positioned on the parallel bar platform, allow it to lay flat at room temperature allowing any distortions in the runner mat to dissipate. End user may cut runner mat to length desired. With runner mat cut to desired length, cut double sided tape to the correct overall width of the mat. Peel one side off of the tape, place it at the edge of the platform or tapered extension (if one has been added), as shown in Figure 4.1.6. Using one's hand, press the tape down onto the platform or tapered extension. Now, peel the tape protector film off the double backed tape and lay the runner mat down (*make sure it is aligned correctly prior to laying it down*). Using your hand, press runner mat down on top of tape. Upon completion of placement, by observation, make sure there are no issues which would cause someone to trip on the runner mat.

Figure 5.1.5

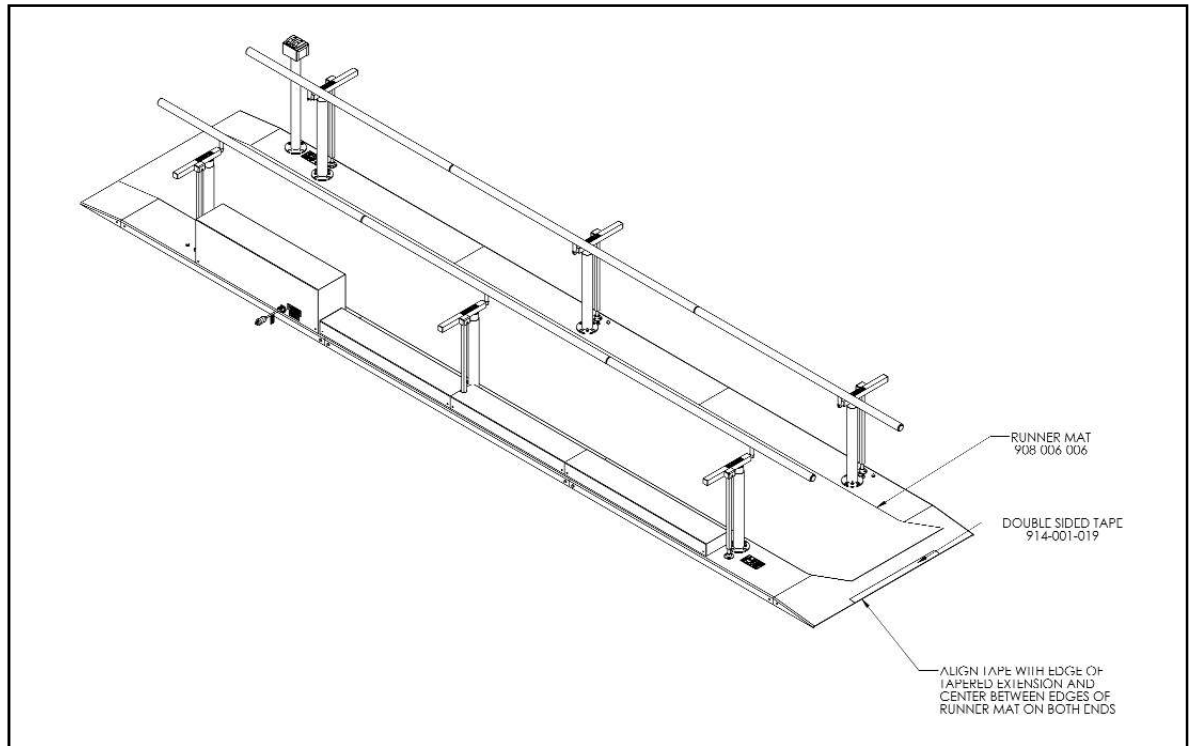
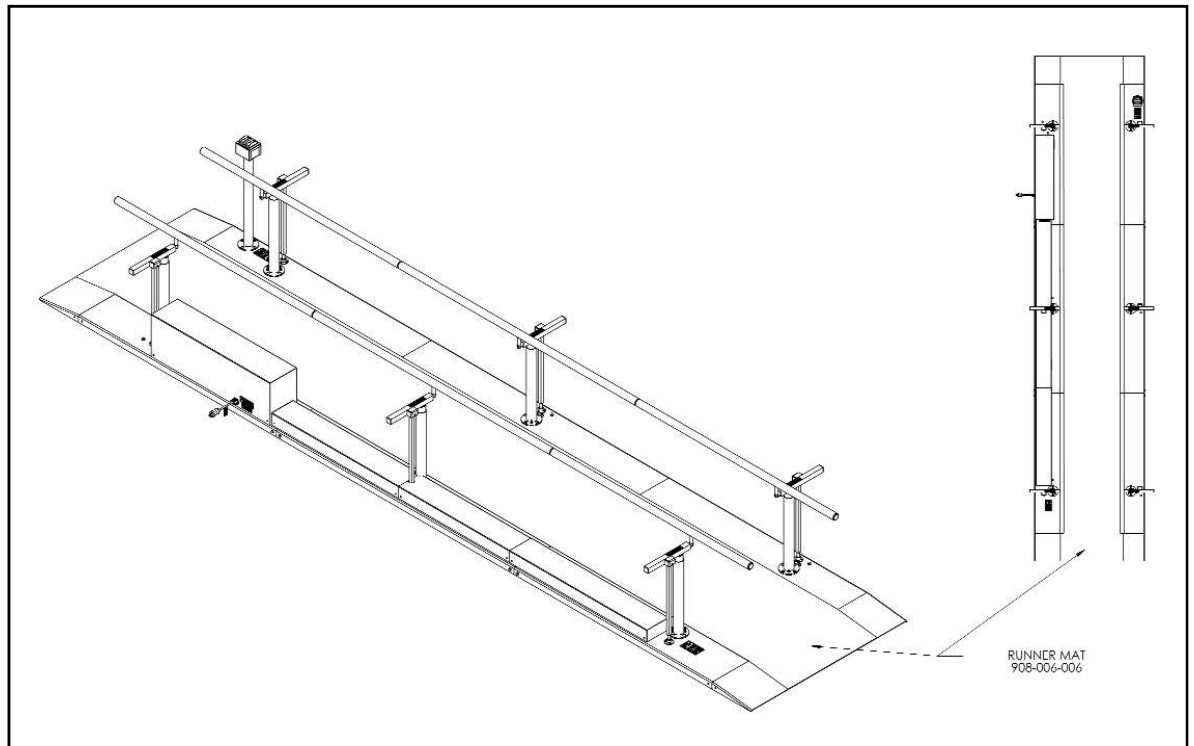


Figure 5.1.6



**Step 10--ATTACHED POWER SUPPLY CORD.** Connect/plug-in power cord to the appliance inlet on motor housing cover and to a properly grounded 115 Volt AC receptacle conforming to the relevant state and nationally recognized electrical codes, and follow the procedure outlined in Section 5.0 "Safety/Precautions Instructions" in this User Manual. Proceed to test the electrical functionality of the parallel bar by maneuvering the parallel bar rails vertically (up and down) and horizontally (in and out) checking for noise and/or any irregularity in its operation. The parallel bar should operate smoothly and be ready for use.




## 6.0 **SAFETY/PRECAUTIONARY INSTRUCTIONS**

6.1 Once again, please have anyone who is authorized to use this parallel bar read, understand, and practice the safety and precautionary instructions recommended in this user manual. All operators should use common sense, know and fully understand the hazards and risks associated with using and/or operating this Tri W-G,<sup>®</sup> Inc. parallel bar prior to operating it.

6.2 **NEVER LEAVE THE PATIENT UNATTENDED.** Close attention is necessary when patients are children and/or disadvantaged.

6.3 **NEVER** place ones hands or feet, nor the patients' hands or feet, near any of the working mechanisms or gap areas on the parallel bar when raising or lowering the parallel bar rails. And **DO NOT** place or leave wheelchair, objects or items of any kind between the parallel bar rails when adjusting the parallel bar rail position; whether adjusting them for height or width.

6.4 Whenever you see this symbol:  it signifies "Caution", and is used as a "General Warning Sign"; You and/or Your Patients' Safety is Involved.

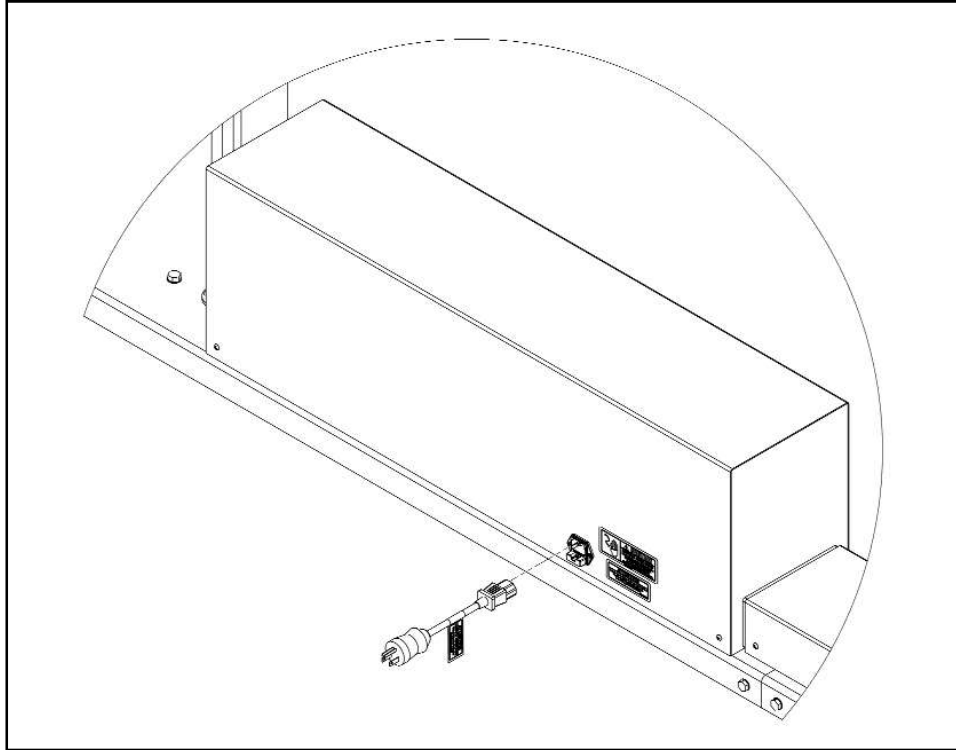
6.5 During parallel bar operation, immediately stop the parallel bar operation if anything unusual is observed or unusual sounds are heard coming from the parallel bar.

6.6 **DO NOT** use this parallel bar as a gymnastics apparatus as used by gymnasts in artistic gymnastics. This kind of activity or any performing routine of any kind on the parallel bar, which is a medical device and not a gymnastics apparatus, is **NOT** approved. Furthermore, training or playing on, or using this device as a play area and/or a gymnastics toy, of any kind, is **NOT** approved by Tri W-G,<sup>®</sup> Inc.; no matter who and/or what the age of the individual. It is a Class I Medical Device, called powered exercise equipment; namely, powered parallel bar. And **DO NOT** store or allow any object, of any kind, between and/or under the parallel bar rails at any time. No medical claims are made with regard to a patient using the device. Tri W-G,<sup>®</sup> Inc. shall not be liable for any damage, death or injury caused, directly or indirectly, from the misuse of this device/powering parallel bar; and the user shall indemnify Tri W-G,<sup>®</sup> Inc. from and against all costs, damages and expenses (including legal expenses) arising from any such misuse.

6.7 **MOTOR ENCLOSURE (COVER) REMOVAL.** All repair should be performed by trained or certified service personnel. This is also true for removing the motor enclosure ("cover") due to the potential shock hazard in doing so. The qualified service technician must follow the steps below to remove the cover to avoid the possibility of a hazardous situation occurring:

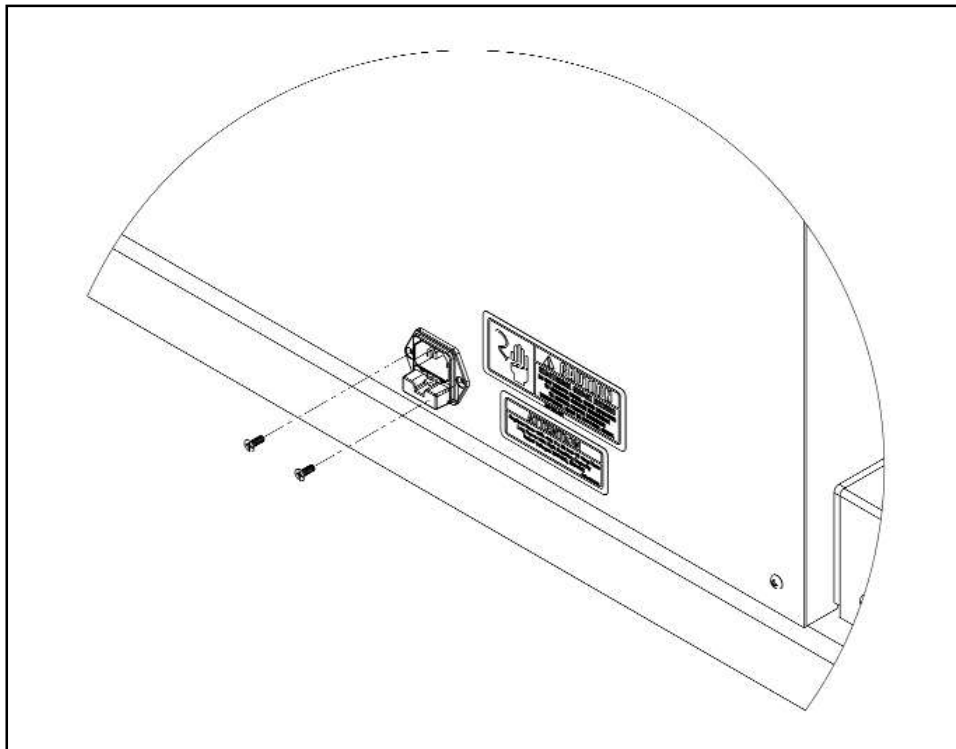
**Step 1--** Disconnect the power cord from the main receptacle, then remove it from the appliance in-let, as shown in Figure 6.7.1.

Figure 6.7.1



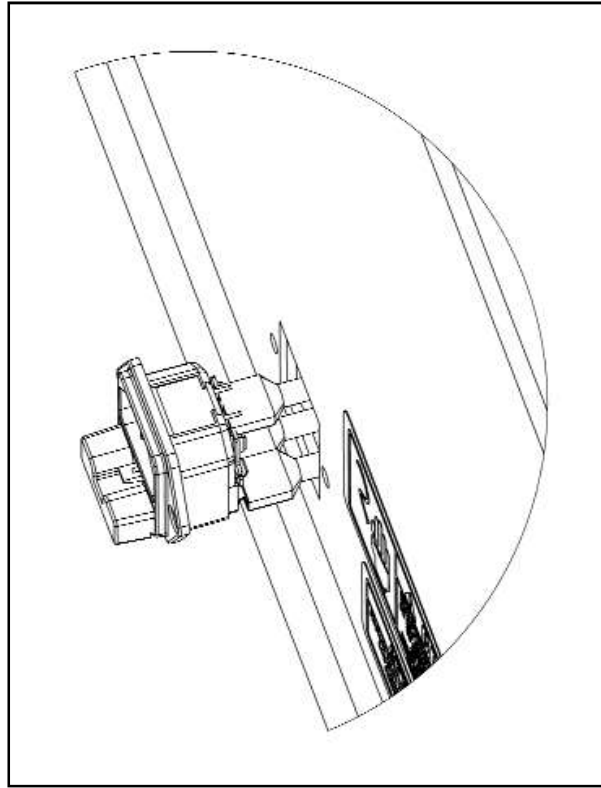
**Step 2--** Remove the two screws from the appliance in-let, as shown in Figure 6.7.2.

Figure 6.7.2



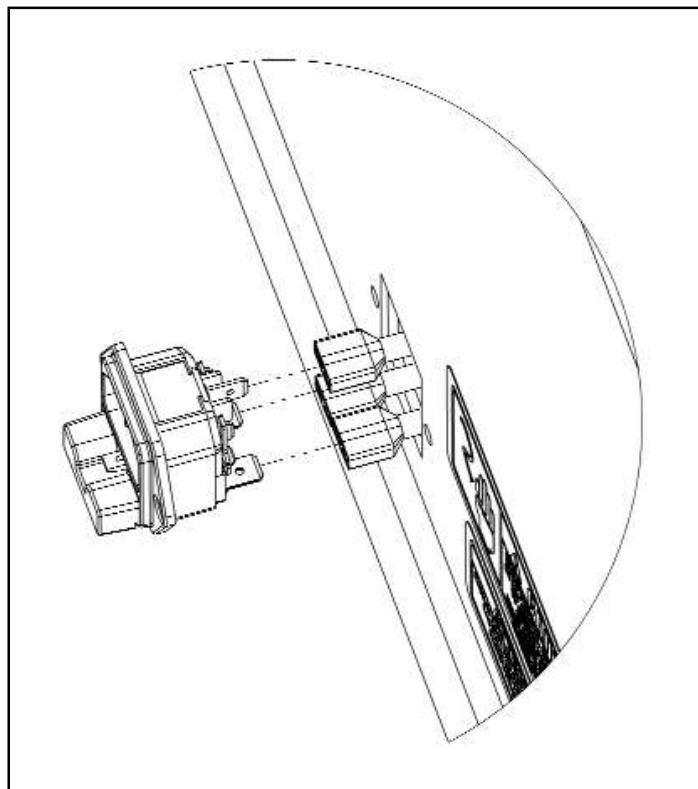
**Step 3--** Remove the appliance in-let from the cover by pulling outward so that the appliance in-let is beyond cover's exterior side, as shown in Figure 6.7.3.

Figure 6.7.3



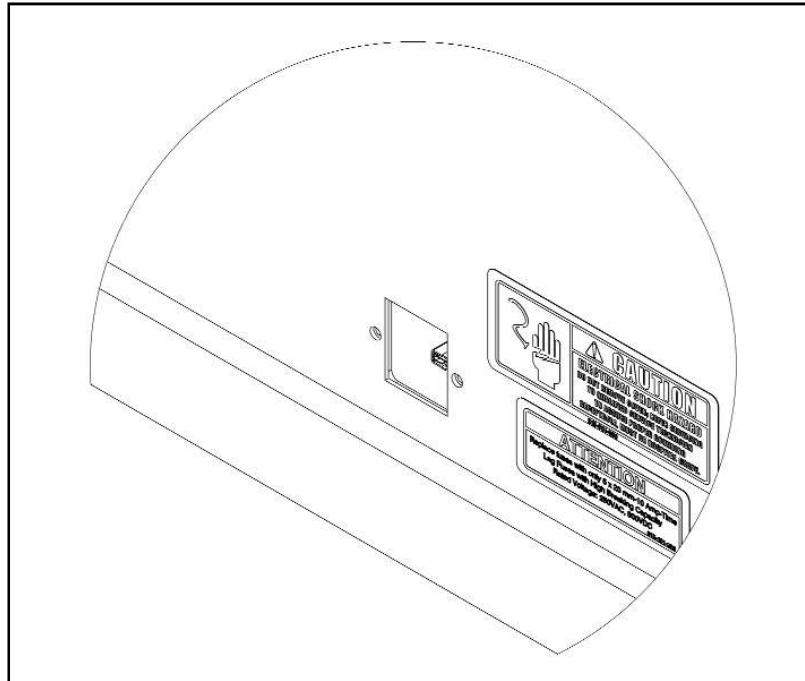
**Step 4--** Remove the appliance in-let from the electrical quick disconnect terminals, as shown in Figure 6.7.4.

Figure 6.7.4



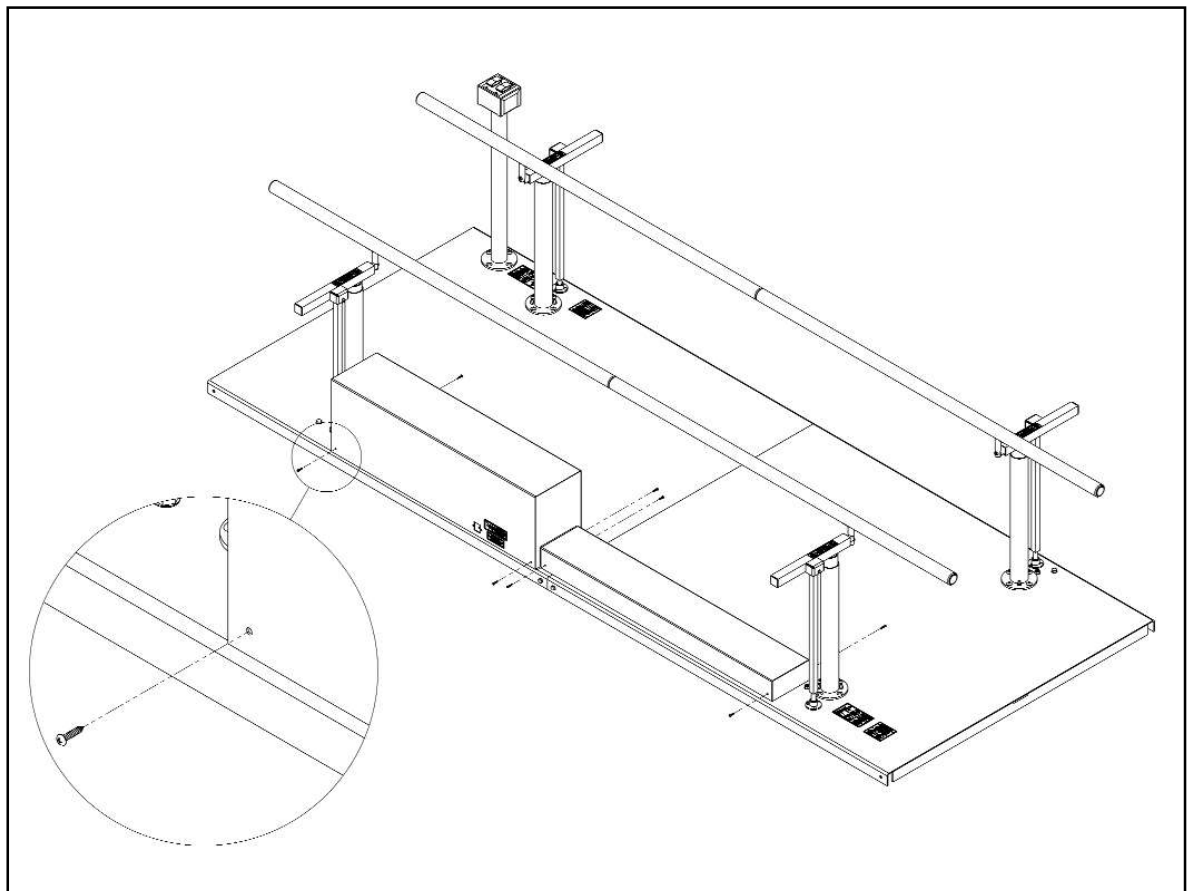
**Step 5--** Push the electrical quick disconnect terminals back into cover, as shown in Figure 6.7.5.

Figure 6.7.5



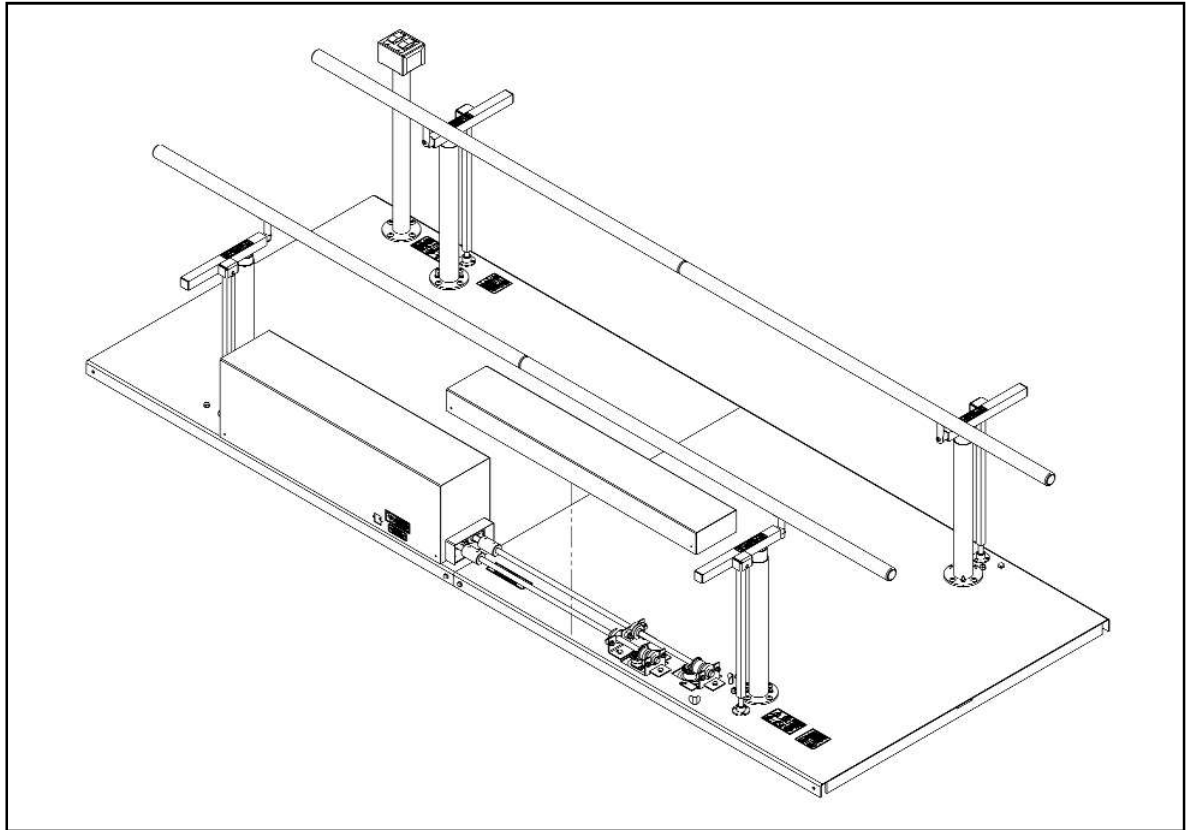
**Step 6--** Remove the eight screws from the motor cover and line shaft cover, as shown in Figure 6.7.6.

Figure 6.7.6



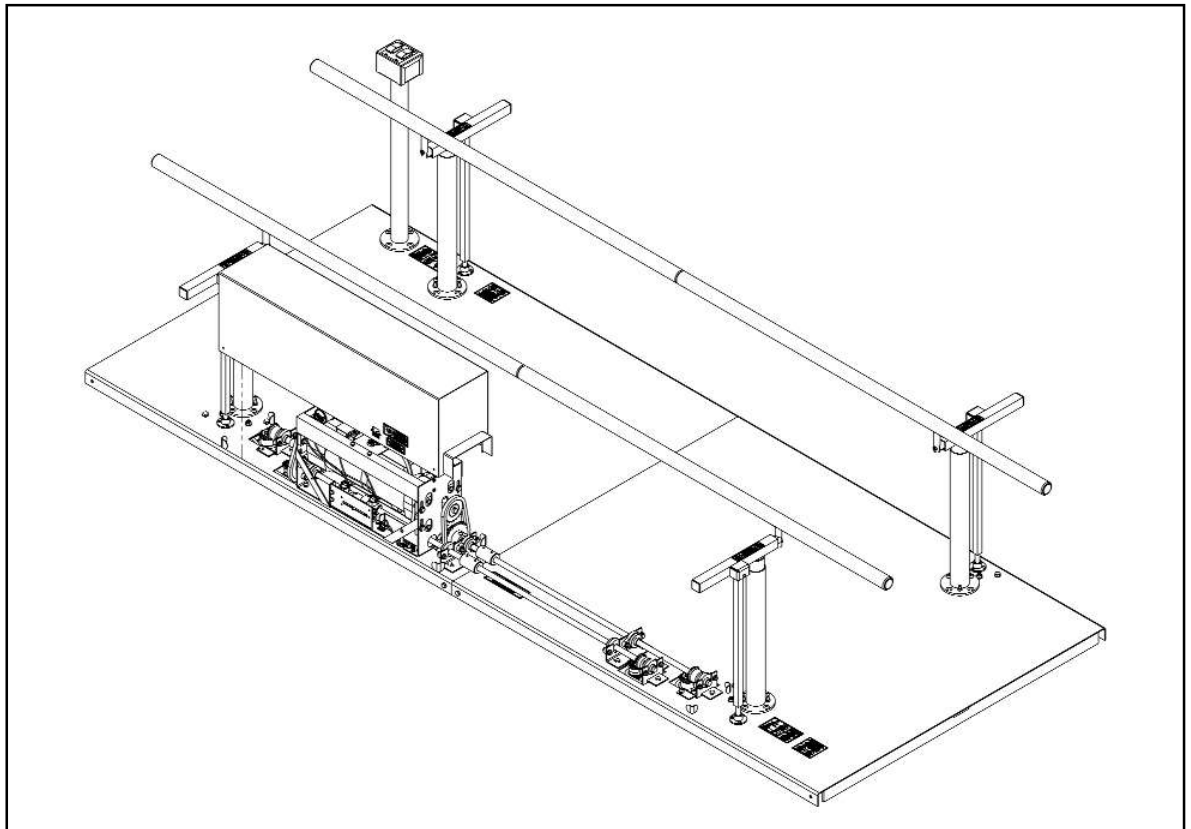
**Step 7--** Remove the line shaft cover first, as shown in Figure 6.7.7.

Figure 6.7.7



**Step 8--** Remove the motor cover, as shown in Figure 6.7.8.

Figure 6.7.8



To reinstall the cover, reverse the Motor Enclosure (Cover) Removal procedure, beginning with Step 8, then Step 7, and so on. If you have any questions, contact Tri W-G,<sup>®</sup> Inc. Service Department by calling 1-800-437-8011.

## **7.0 INTENDED USE**

It is a Class I, electrically powered exercise device, intended for medical purposes, such as to redevelop muscles, restore motion to joints or for use as an adjunct treatment for obesity [21CFR890.5380]; namely, Powered Parallel Bars.

## **8.0 INTENDED USER PROFILE**

Licensed Physical Therapists, Occupational Therapists, Healthcare Professionals and Trained Rehab Specialists utilizing a prescribed therapeutic protocol, written by a professional medical practitioner or physician. Intended User Profile **DOES NOT** include non-professional caregivers, lay users/persons, patients, maintenance staff and installers.

## **9.0 INTENDED CONDITIONS of USE**

Intended for use in professional healthcare facility environments (e.g., general or rehab hospitals, clinics, professional medical practices, limited care and multiple treatment facilities) where operators with medical training are continually available when patients are present and trained in its intended use. It is not to be used in a home environment or dwelling place in which a patient lives or other places where patients are present; and may not be used in areas with unrestricted public access and rooms designed as wet areas.

## **10.0 OPERATING INSTRUCTIONS**

10.1 **Adjusting Parallel Bar--Never**, under any circumstance, adjust parallel bar rails with a patient, wheelchair, or foreign object on the parallel bar platform. No patient, wheelchair, or foreign object should be between or under the parallel bar rails at any time while adjusting the rails. **ONLY** adjust parallel bar rails without human subject and/or foreign objects on the parallel bar platform including between and below parallel bar rails. To raise or lower the parallel bar rails, touch the "UP" or "DOWN" rocker key on the switch box. To adjust width of the parallel bar rails, touch the "IN" or "OUT" rocker key on the switch box.

10.2 **Capacity**--The Standard parallel bar is intended to support **600 lbs** (272.2 Kilograms), evenly distributed over the entire parallel bar rails; and, the Bariatric parallel bar is intended to support **1000 lbs** (453.6 Kilograms), evenly distributed over the entire parallel bar rails.

10.3 **Duty Cycle**--System is an intermittent operation; 1.5 minutes ON/10 minutes OFF; Auto-Thermally Protected

10.4 **Repairing**--Any repair should be performed by trained and/or certified service personnel.

10.5 **Wear on Device**--Due to normal wear, it may be necessary to replace the mains power cord, and routine checks on all connections should be made to assure device's safety. Call Tri W-G Service Department for replacement parts and/or installation instructions, 1-800-437-8011.

10.6 **User--Never** allow the patient to operate the parallel bar. Only trained personnel authorized to use the parallel bar shall operate the parallel bar.

## **11.0 MAINTENANCE**

11.1 Cleaning or sanitizing the handrails should be done after each patient use prior to a new patient using or coming in contact with the handrails. Water with a mild detergent may be used to wipe down the handrails. The water used for cleaning, including chemical additives, must be pH-neutral. It is highly recommended that those responsible to maintain the cleanliness of the device, follow the facility's cleaning or sanitizing procedures. The parallel bar should be wiped down to remove dust/lint on a regularly scheduled basis. This can be accomplished using a soft dust cloth and/or other cleaning materials available. The rubber runner mat can be wiped down with a soft cloth using a water and mild detergent, both being pH-neutral.

11.2 Due to normal wear, it may be necessary to replace the rocker switch or the mains power cord. Call our customer service for replacement parts and/or installation instructions.

11.3 Inspection and maintenance/repair shall be made on a regular and/or periodic basis, which shall encompass the entire parallel bar. This includes, but is not limited to, the following: all moving parts, look for broken welds and/or cracks, rocker switch, mains power cord, etc., to name a few. Replacement of worn or failed parts shall be replaced immediately, or as is deemed necessary. All inspections and maintenance/repair activities shall be recorded by owner facility. Operator should notify all users to discontinue using the parallel bar if the safety of operator and/or patient is eminent. Call the Tri W-G,<sup>®</sup> Inc. Service Department at 1-800-437-8011 and report any potential safety concerns.

11.4 Any repair should be performed by trained or certified service personnel.

## 12.0 **SYMBOLS, INDICATORS, and DEGREE OF SAFETY**



Mandatory action sign; Read User Manual Caution: General Warning Sign.



Mandatory action sign; Read User Manual Caution: General Warning Sign.



Read User Manual; contains useful information.



General Warning Sign.



Type B Equipment: Equipment providing a particular degree of protection against electric shock, particularly regarding allowable leakage current and reliability of the protective earth connection.



Protective Earth Ground: This product is Class I equipment in which protection against electric shock does not rely on BASIC INSULATION only, but which includes an additional safety precaution in that means are provided for the connection of the EQUIPMENT to the protective earth terminal in the fixed wiring of the insulation in such a way the ACCESSIBLE METAL PARTS cannot become LIVE in the event of a failure of the BASIC INSULATION.



Earth (ground).

WATER

Protection against harmful ingress of water--Prevent parallel bar from being subjected to water sprays or water hosing.

ANESTHETICS

Not suitable for use in the presence of a flammable anesthetic mixture with air or oxygen or nitrous oxide.

ELEC. RATING

Input: 208-230 VAC, 1.7-2.4 A, 60/50 Hz

DUTY CYCLE

System is an intermittent operation; 1 minutes ON/10 minutes OFF; Auto-Thermally Protected



Medical Device



Date of Manufacture Expressed as: YYYYMMDD

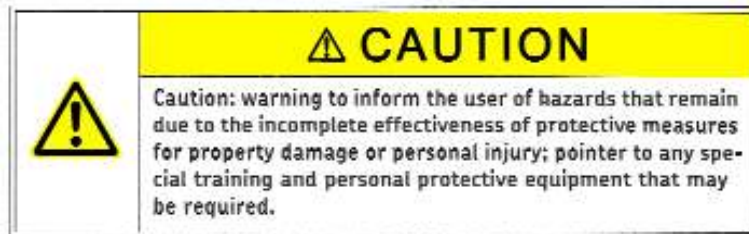


### 13.0 WARNINGS and USAGE HINTS

Any serious incident that has occurred in relation to this device should be reported to Tri W-G and the competent authority of the Member States in which the user and/or patient is established.

Please make note of the meaning of the following warnings and usage hints:

**Note:** indicates usage information that helps the user to use the product correctly and efficiently or to understand the properties of the product.



## 14.0 OTHER HAZARDS

The manufacturer has constructively, and with protective measures, minimized the effects of existing hazards; as these “**ATTENTION/NOTICES**” are used to indicate areas that warrant the operator and/or user’s attention. Pay attention to the following hazards and the possible countermeasures given in the following:

915-001-322

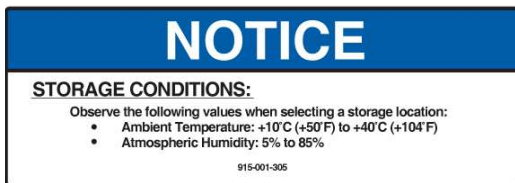


915-001-322

915-001-283



915-001-305



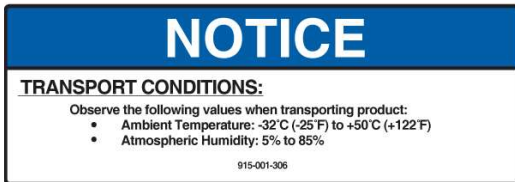
915-001-305

915-001-337



915-001-337

915-001-306



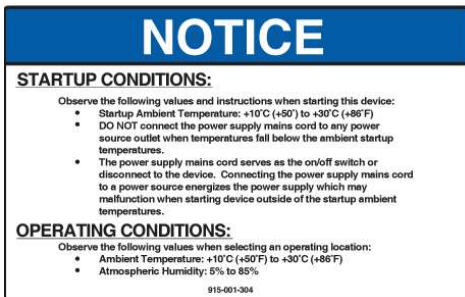
915-001-306

915-001-338



915-001-338

915-001-304



915-001-304

915-001-323



915-001-323

915-001-329



915-001-329

915-001-325



915-001-325

915-001-355



## 14.1 OTHER HAZARDS CONT'D

It is imperative that the operator and/or user of this device adhere to the following “CAUTION” directives, as they indicate hazardous situations that, if not avoided, could result in minor or moderate injury and a source of potential harm.

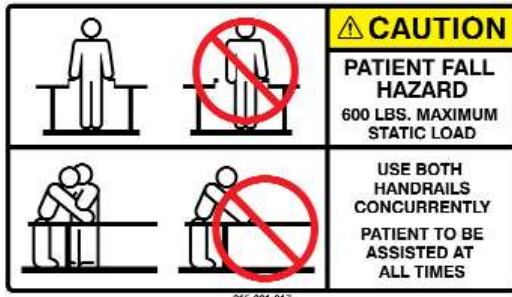
915-001-300



915-001-330



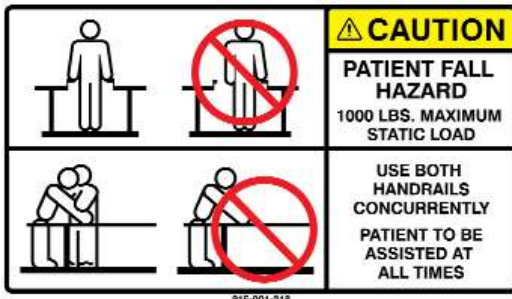
915-001-317



915-001-331



915-001-318



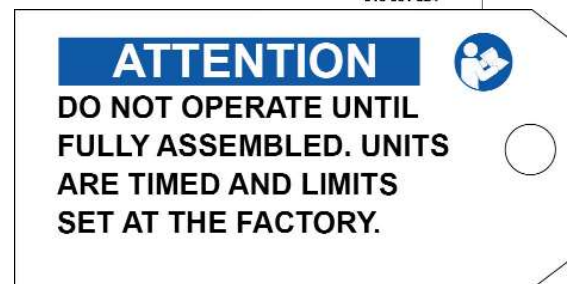
915-001-324



915-001-320




915-001-333



## 14.2 OTHER HAZARDS CONT'D

To ensure safety, the operator and/or user of this device must under all circumstances adhere to the following “**WARNING**” directives as they indicate a source of potential hazards that could lead to serious injury or death.

	<b>⚠ WARNING</b>
	Warning: To avoid risk of electric shock, this device must only be connected to a supply mains with a protective earth (ground).

	<b>⚠ WARNING</b>
	<p>Warning: Warnings regarding significant RISKS of reciprocal interference, potential electromagnetic interference “EMI” and/or other interference that may come about as the result of using this device during specific investigations or treatments; and advice on how to avoid or minimize such interference. Operator must read the user manual prior to using the device, become familiar with its intended use, as well as, what is not appropriate when using this device near reciprocal interferences, patient(s) and/or others on or near the device. This device generates, uses and can radiate radio frequency energy and, if not installed and used for its intended purpose, in accordance with the user manual instructions, may cause harmful interference to other devices in the surrounding area. Interference can lead to data loss, problems with computers, monitors, cell phones, various other wireless applications, and signal interruptions, to name a few. This device has not been tested for EMI; therefore, Tri W-G provides no guarantee that EMI will not occur in a particular installation. If this equipment does cause harmful interference to other devices, which can be determined by turning the equipment off and on, the user is encouraged to try to correct the interference by one or more of the following measures:</p> <ul style="list-style-type: none"><li>*Relocate the device</li><li>*Increase the separation between various devices and/or equipment.</li><li>*Connect the device into a receptacle on a different circuit.</li><li>*Call a facility service technician for assistance.</li></ul>

	<b>⚠ WARNING</b>
	<p>Warning: This warning is to address HAZARDS that can result from unauthorized modifications of this device, which are as follows:</p> <ul style="list-style-type: none"><li>* Do Not modify this device without the written consent of Tri W-G, Inc.</li><li>* Any modification authorized by Tri W-G, Inc. must undergo appropriate inspection and testing to applicable regulatory standards this device is certified to; this is an absolute requirement to ensure continued safe use of this device.</li></ul>

## **15.0 SPECIFICATIONS:**

### **Standard Parallel Bars:**

- Item No. TWG.10.00.SD: Length-6 ft; Height Range: 25.25" - 39.75"; Width Range: 15.5" - 24.5"; Platform Width: 48"; Width Between Uprights: 31.5"
- Item No. TWG.10.01.SD: Length-8 ft; Height Range: 25.25" - 39.75"; Width Range: 15.5" - 24.5"; Platform Width: 48"; Width Between Uprights: 31.5"
- Item No. TWG.10.02.SD: Length-10 ft; Height Range: 25.25" - 39.75"; Width Range: 15.5" - 24.5"; Platform Width: 48"; Width Between Uprights: 31.5"
- Item No. TWG.10.04.SD: Length-12 ft; Height Range: 25.25" - 39.75"; Width Range: 15.5" - 24.5"; Platform Width: 48"; Width Between Uprights: 31.5"
- Item No. TWG.10.06.SD: Length-16 ft; Height Range: 25.25" - 39.75"; Width Range: 15.5" - 24.5"; Platform Width: 48"; Width Between Uprights: 31.5"
- Item No. TWG.10.08.SD: Length-18 ft; Height Range: 25.25" - 39.75"; Width Range: 15.5" - 24.5"; Platform Width: 48"; Width Between Uprights: 31.5"

### **Bariatric Parallel Bars:**

- Item No. TWG.10.00.BA: Length-6 ft; Height Range: 25.25" - 39.75"; Width Range: 21.5" - 30.5"; Platform Width: 54"; Width Between Uprights: 37.5"
- Item No. TWG.10.01.BA: Length-8 ft; Height Range: 25.25" - 39.75"; Width Range: 21.5" - 30.5"; Platform Width: 54"; Width Between Uprights: 37.5"
- Item No. TWG.10.02.BA: Length-10 ft; Height Range: 25.25" - 39.75"; Width Range: 21.5" - 30.5"; Platform Width: 54"; Width Between Uprights: 37.5"
- Item No. TWG.10.04.BA: Length-12 ft; Height Range: 25.25" - 39.75"; Width Range: 21.5" - 30.5"; Platform Width: 54"; Width Between Uprights: 37.5"
- Item No. TWG.10.06.BA: Length-16 ft; Height Range: 25.25" - 39.75"; Width Range: 21.5" - 30.5"; Platform Width: 54"; Width Between Uprights: 37.5"



## 15.0 SPECIFICATIONS CONT'D:

Weight Capacity: A maximum static uniform load of 600 lbs (Standard) and 1000 lbs (Bariatric).

Frame: Heavy gauge steel.

Finish: Polyurethane Pearl Grey standard; Porcelain optional.

Accessories: Tapered Platform Extensions. Contact Tri W-G® Sales Dept for information about accessories.

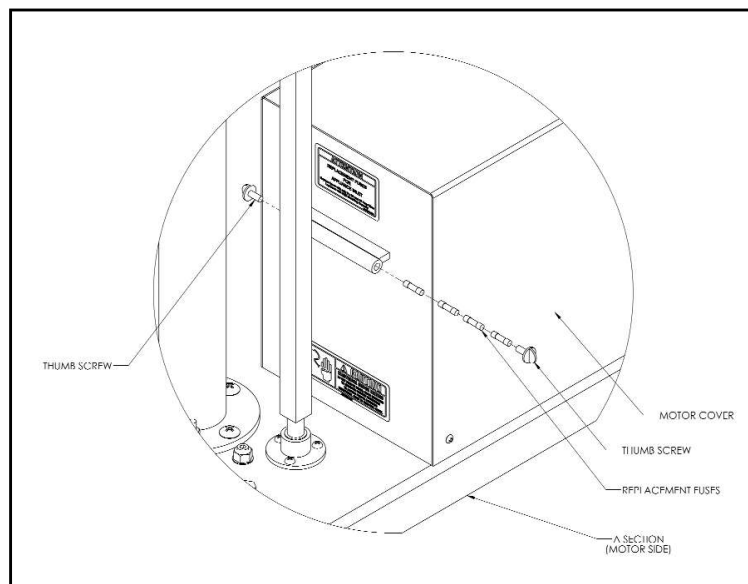
Rocker Switch: Rocker switch for adjusting various parallel bar positions--Voltage: 115VAC; Contact Rating: 10A; Double Insulated. Power supply serves as main disconnect device from main power source.

Electrical: Input: 208-230 VAC, 1.7-2.4 A, 60/50 Hz.  
Duty Cycle: ON/OFF intermittently 1 min./10 min., respectively; Auto-Thermally Protected

UL® Class: This medical device has been tested to the following standards:  
ANSI/AAMI ES60601-1:2005  
CSA C22-2 No. 60601-1:2008  
IEC 60601-1:2005

Fuse: Newark in One Part No. 88K2035 (0001.2514)  
UL Standard 248-14, UL File Number E41599  
Rated Voltage: 250VAC, 150VDC; Rated Current: 10A; Breaking Capacity: 500A-1500A;  
Characteristic: Time-Lag T; Admissible Ambient Air Temp: -55C to 125C; Climatic Category: 55/125/21  
ACC to IEC 60068-1; Tube Material: Ceramic; Endcap Material: Nickel Plated Copper Alloy;  
Unit Weight: 1.16 G; Storage Conditions: 0-60C, Max 70% R.H.

Replacement Fuses: Four (4) replacement fuses are stored in the replacement fuse holder located on the outside of the operating system enclosure. Unscrew both thumb screws and use a simple push rod (ex: small drinking straw) to remove new fuses. Unplug mains power source prior to removing fuses and during installation of fuses to avoid electrical shock. In the event the two newly installed fuses blow out, **DO NOT** use the remaining two fuses without further inspection of the operating system. There may be something more than just a surge of power or an electrical overload that caused the fuses to blow. Call Tri W-G® Service Dept at 1-800-437-8011 or an electrician for assistance. Location of replacement fuse holder:



After using replacement fuses, immediately replace them in the event another fuse blowout occurs.

## **16.0 STARTUP CONDITIONS:**

16.1 Observe the following values and instructions when starting this device:

- Startup Ambient Temperature: +10° C (+50° F) to +30° C (+86° F)
- **DO NOT** connect the power supply mains cord to any power source outlet when temperatures fall below the ambient startup temperatures.
- The power supply mains cord serves as the on/off switch or disconnect to the device. Connecting the power supply mains cord to a power source energizes the power supply which may malfunction when starting device outside of the startup ambient temperatures.

## **17.0 OPERATING CONDITIONS:**

17.1 Observe the following values when selecting a operating location:

- Ambient Temperature: +10° C (+50° F) to +30° C (+86° F)
- Atmospheric Humidity: 5% to 85%

## **18.0 STORAGE CONDITIONS:**

18.1 Observe the following values when selecting a storage location:

- Ambient Temperature: +10° C (+50° F) to +40° C (+104° F)
- Atmospheric Humidity: 5% to 85%

## **19.0 TRANSPORT CONDITIONS:**

19.1 Observe the following values when transporting product:

- Ambient Temperature: -32° C (-25° F) to +50° C (+122° F)
- Atmospheric Humidity: 5% to 85%

## **20.0 NOTICE:**

20.1 Design changes may have occurred in the product since this user manual was published. The technical information found within this manual was correct at the time this user manual was approved for publication.

20.2 Tri W-G,<sup>®</sup> Inc. does not assume any risk or liability for attachments, or their effects on this device, if the attachments are not manufactured, sold by, and expressly approved by Tri W-G,<sup>®</sup> Inc. Tri W-G,<sup>®</sup> Inc. also informs the end user and/or anyone else “**Not-to-Use**” any attachments, on this device, that are not approved in writing by Tri W-G,<sup>®</sup> Inc.

20.3 When parts are required, use only those parts authorized by Tri W-G,<sup>®</sup> Inc.

20.4 If any information contained in this publication is not understood, the user should contact Tri W-G,<sup>®</sup> Inc. for assistance at 1-800-437-8011.

20.5 **DO NOT** perform any electrical or general service on the parallel bar prior to disconnecting the power supply cord which serves as the on/off switch to the parallel bar.

## **21.0 TROUBLE SHOOTING**

21.1 Parallel Bar Hand Rails do not move up/down vertically or in/out horizontally:

21.1.1 Check power cord connection to main power source.

21.1.2 Make sure main power source is receiving power.

21.1.3 Auto Thermal Protector may have activated, and you must allow the system to cool down. Duty Cycle is an intermittent operation; 1.5 minutes ON/10 minutes OFF; Auto-Thermally Protected.

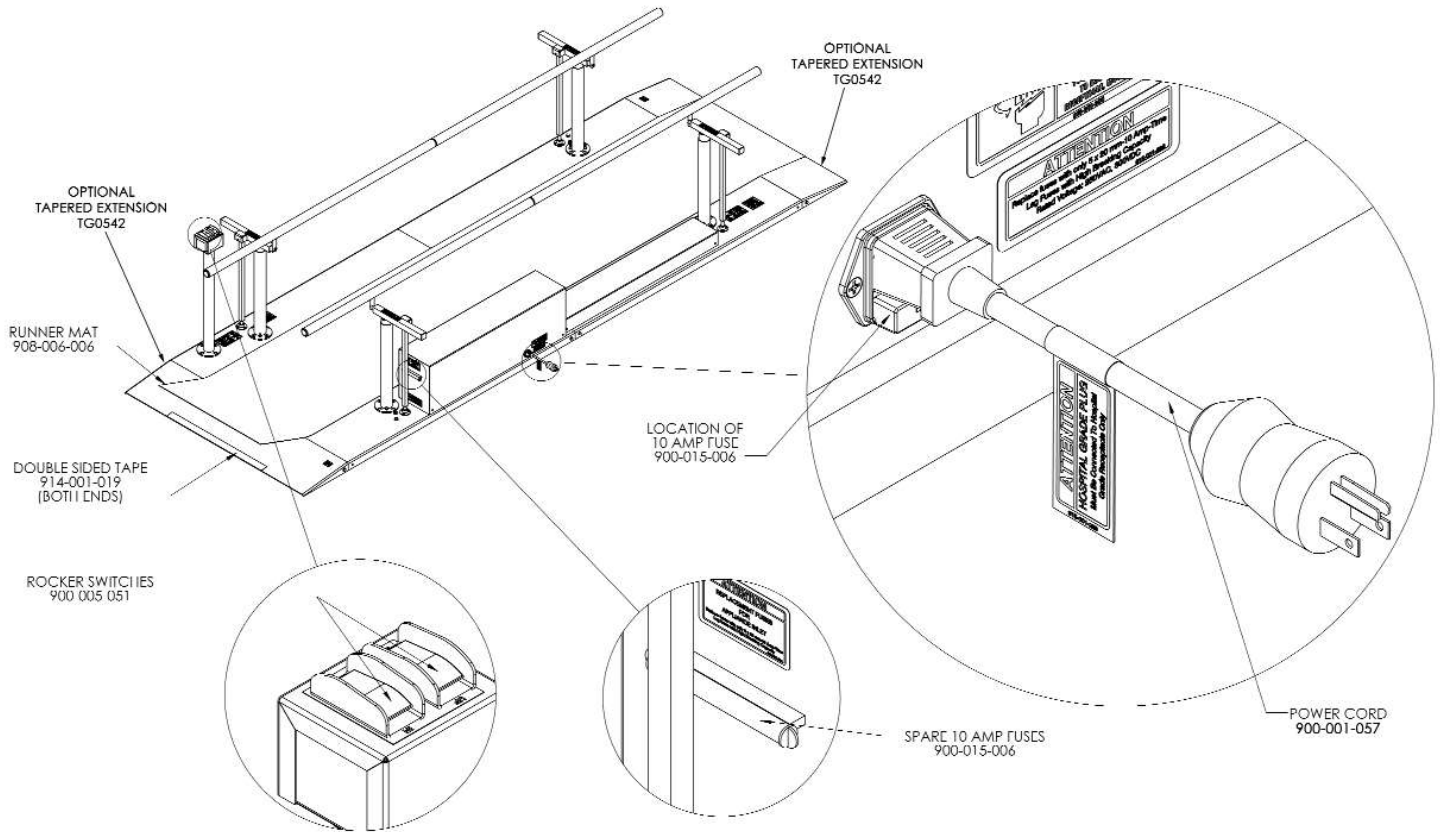
21.1.4 Check appliance inlet fuses making sure they are not burned out. If they are, replace with new fuses stored in the fuse holder attached to the mechanical enclosure near the appliance inlet.

21.2 Tried everything and nothing works to resolve the dilemma--contact Tri W-G,<sup>®</sup> Inc. Customer Service by calling 1-800-437-8011.

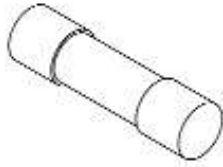


## 22.0 REPLACEMENT PARTS LOCATION SCHEMATIC

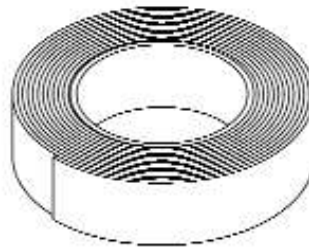
This replacement parts location schematic shows the service parts which may require service sometime in the future as the result of normal wear and tear. These parts can be ordered from the Tri W-G,<sup>®</sup> Inc. Service Dept by calling 1-800-437-8011. In the event any additional information is required, beyond what is shown below, please contact the Tri W-G,<sup>®</sup> Inc. Service Dept; which may include but not limited to--electrical diagrams, general service parts, etc.; and questions in general.



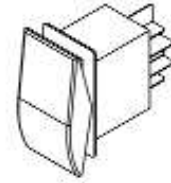
## 22.1 REPLACEMENT PARTS



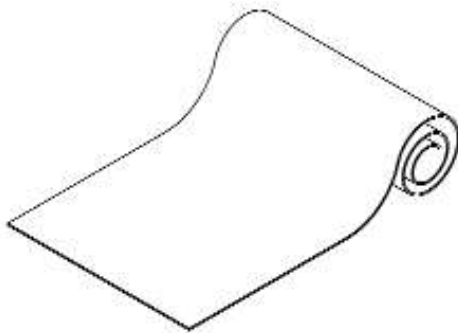
10 AMP FUSE  
900-015-006



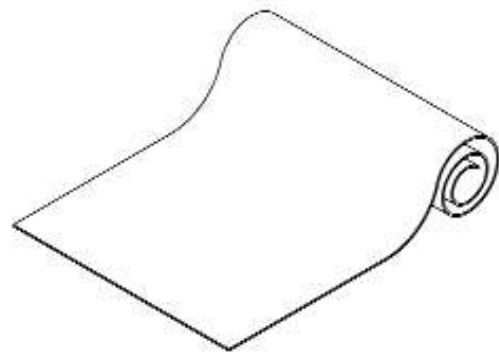
DOUBLE SIDED TAPE  
914-001-019



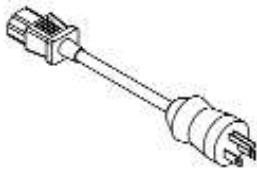
ROCKER SWITCH  
900-005-051



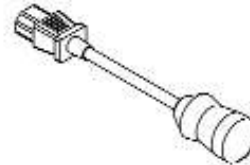
RUBBER RUNNER MAT - (STANDARD, 27" W)  
908-006-006



RUBBER RUNNER MAT - (BARIATRIC, 33" W)  
908-006-008

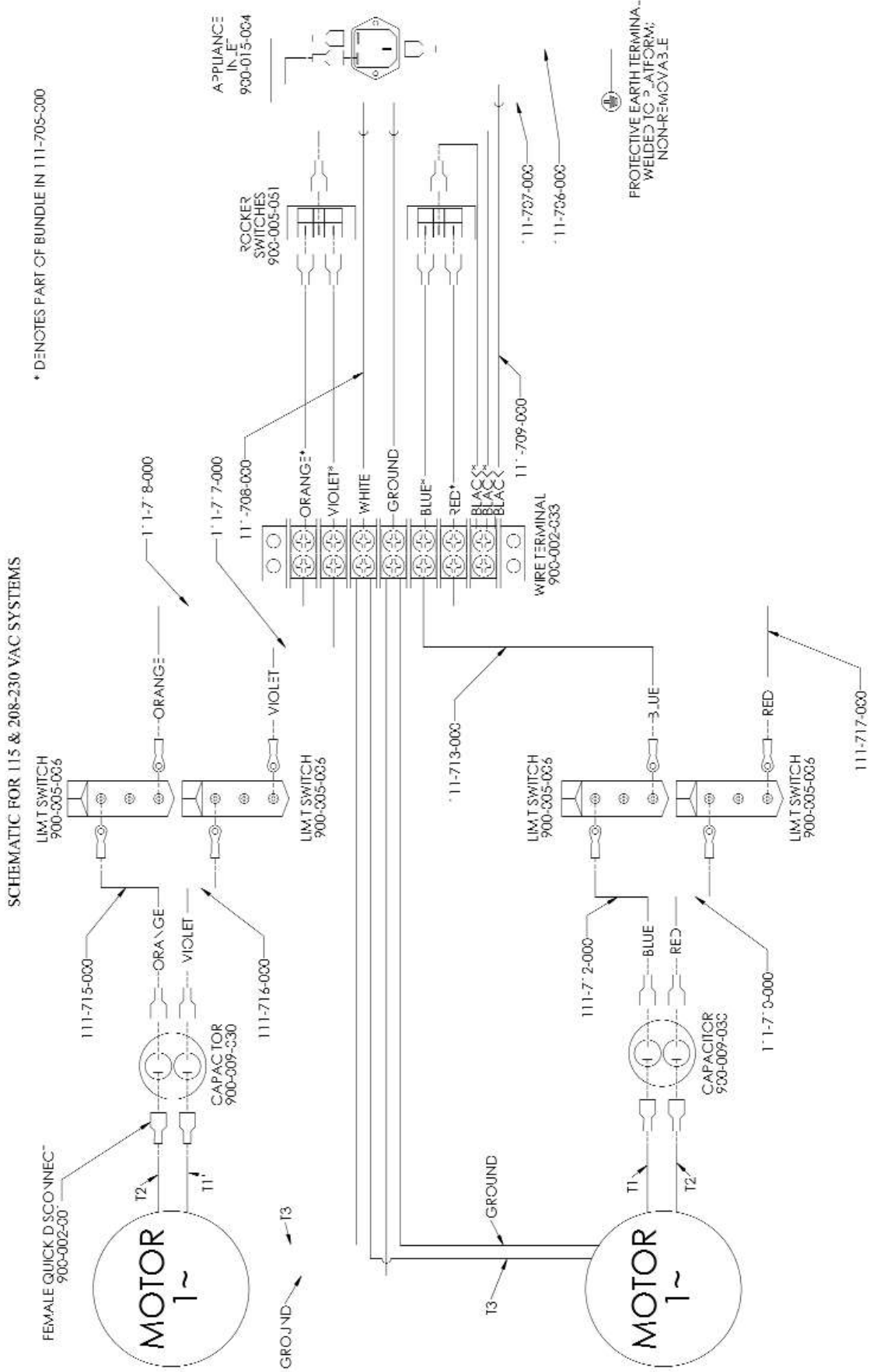


POWER CORD  
900-001-057



CONTACT TRI-WG FOR SPECIFIC  
PART NUMBER OF POWER CORD;  
SPECIFIC COUNTRY WHERE DEVICE  
WILL BE USED IS REQUIRED

# 23.0 SYSTEM SCHEMATIC



## **24.0 DISPOSING OF THIS MEDICAL DEVICE**

Deterioration in function, failure and/or the medical device has reached its life span, as a result of aging, wear, repeated use, or it has been determined to decommission it and/or dispose of it, must be done in a technically proper manner and in accordance with international, national, regional and/or local environmental regulatory requirements for disposing of medical devices. The owner of this medical device is responsible for its proper disposal.

### **LIMITED WARRANTY**

This Product or Part is sold by Tri W-G,<sup>®</sup> Inc. under the limited warranties set forth in the following paragraphs. Such warranties are extended only with respect to the Purchase of the Product or Part as new merchandise directly from Tri W-G,<sup>®</sup> Inc. or a Tri W-G,<sup>®</sup> Inc. Authorized Dealer and are extended to the ultimate customer purchaser of the Tri W-G,<sup>®</sup> Inc. Product or Part.

Tri W-G,<sup>®</sup> Inc. warrants that each Product or Part sold hereunder shall be free of defects in material and workmanship for the Product warranty period identified as follows:

Ten Years: structural frame.

Two Years: operating system.

One Year: switch controls.

*(Please note the aforementioned limited warranty is limited to original owner and not transferable.)*

in the case of Products and twelve months in the case of Parts from the date of delivery from Tri W-G,<sup>®</sup> Inc. or an authorized Tri W-G,<sup>®</sup> Inc. Dealer, whichever is later. Should defects appear in any products subject to this limited warranty and Parts subject to this limited warranty sold hereunder within the respective limited warranty period, Tri W-G,<sup>®</sup> Inc. will repair or replace under the terms of this limited warranty any defective Part or Parts or provide new or remanufactured Parts when the defective Part or Parts are returned to Tri W-G,<sup>®</sup> Inc. facilities at Buyer's expense upon (20) days prior written notice to Tri W-G,<sup>®</sup> Inc. Buyer will be charged for any replacement Parts when shipped to Buyer by Tri W-G,<sup>®</sup> Inc. When the defective Parts are returned to Tri W-G,<sup>®</sup> Inc. pursuant to Tri W-G,<sup>®</sup> Inc. returned goods authorization, charges will be waived.

This limited warranty does not apply to any Products or Parts which have been damaged through misuse, negligence or accident (including shipping damage) on the part of Buyer or any third party. This limited warranty does not apply to any Product in which Parts other than replacement Parts or Parts approved by Tri W-G,<sup>®</sup> Inc. have been used if said Parts are or may be the cause of failure.

FOR ANY BREACH OF WARRANTY, EXPRESSED OR IMPLIED, THE LIABILITY OF TRI W-G,<sup>®</sup> INC. IS HEREBY EXPRESSLY LIMITED, AND SUBJECT TO THE TERMS HEREIN, TO THE REPAIR OR REPLACEMENT OF ANY PRODUCT OR PART WHICH SHALL APPEAR TO BE DEFECTIVE IN THE OPINION OF TRI W-G,<sup>®</sup> INC. THIS WARRANTY IS IN LIEU OF ALL OTHER WARRANTIES, EXPRESSED OR IMPLIED, INCLUDING WARRANTIES OF MERCHANTABILITY AND FITNESS FOR A PARTICULAR PURPOSE. IN NO EVENT SHALL TRI W-G,<sup>®</sup> INC. BE LIABLE FOR ANY SPECIAL, INCIDENTAL OR CONSEQUENTIAL DAMAGES. NO CLAIM FOR BREACH OF WARRANTY FOR PRODUCTS OR PARTS FURNISHED HEREUNDER SHALL BE ASSERTED AGAINST TRI W-G,<sup>®</sup> INC. MORE THAN TWENTY (20) DAYS AFTER THE EXPIRATION OF THE WARRANTY PERIOD.

## **DISCLAIMER**

Every effort has been made to use accurate photography, drawings, product specifications and descriptions at the time of printing.

The contents of this publication are the copyright of the publisher and may not be reproduced unless prior written permission is granted. Every effort has been made to ensure the accuracy of the information contained in this Operator's Manual, but no liability can be accepted for any loss or damage whether direct, indirect, or consequential arising out of the use of the information contained herein. The label(s) on any of the products/components supercedes the copy and/or data that is in this User Manual. Copy, data and/or print on serial tags and labels attached to any of Tri W-G products and/or components supplied by other vendors used in Tri W-G products, shall supersede, any and all copy, data and/or print stated in this User Manual. However, because of continuous progressive product improvements, all specifications and descriptions are subject to change without prior notice.

Tri W-G® is a registered trademark of Tri W-G, Inc. UL® is a registered trademark of Underwriters Laboratories, Inc. All other company and product names are trademarks or registered trademarks of their respective owners.

*This page intentionally left blank.*

*This page intentionally left blank.*

Manufactured and Distributed by:



**Phone: 1-800-437-8011**  
**Email: [triwg@triwg.com](mailto:triwg@triwg.com)**  
215 12th Avenue NE  
PO Box 905  
Valley City, ND 58072-0905