



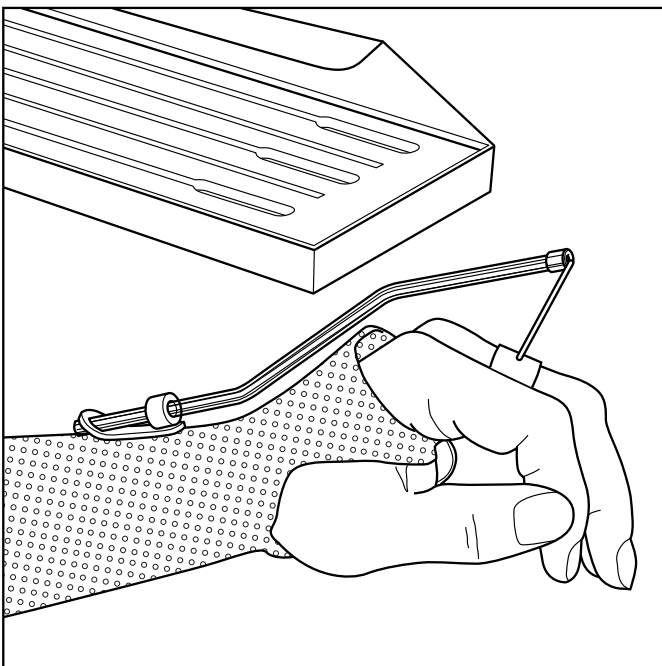
ORFITUBE™ ADJUSTER KIT

INSTRUCTIONS FOR USE

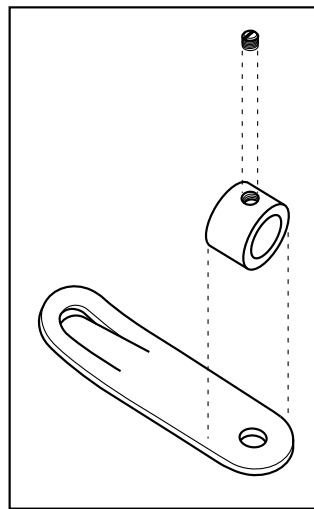
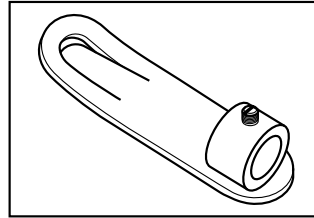
A. GENERAL PRODUCT INFORMATION

The ORFITUBE™ ADJUSTER is a structural unit for placing onto a hand orthosis, in order to give the orthosis added adjustable and dynamic action. The dynamic splint can be defined as 'outrigger with rubber band' type

The outrigger is adjustable, as biomechanical clues may change over time.



Single ORFITUBE™ adjuster:

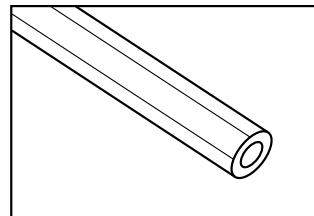


Adjusting screw (stainless steel):
Secures the position of the ORFITUBE™ in the adjusting ring

Adjusting ring (Polyacetal):
Holds and allows alterations of the ORFITUBE™

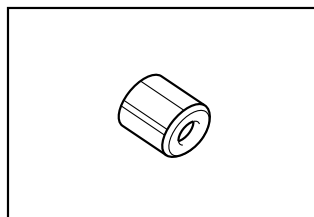
Fixation plate (ORFIT®):
fastens and stabilises the ADJUSTER to a splint

ORFITUBE™:



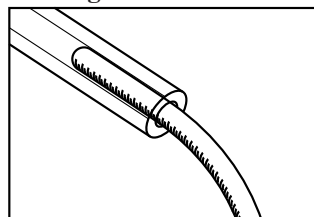
Tube (polycarbonate) into which a braided elastic or extension spring is introduced, provides a spatial suspension point for the finger

TUBE END:



Metal cap (nickel-coated brass) with rounded edges, to reduce friction of the elastic.

Bending thread:



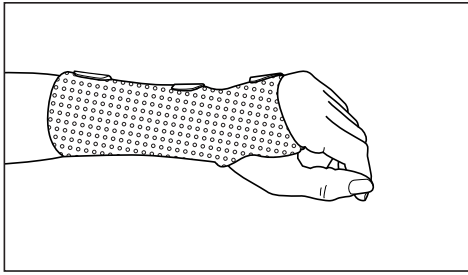
Synthetic thread used to prevent kinks from arising when the ORFITUBE™ is shaped.

B. PRODUCT SUMMARY

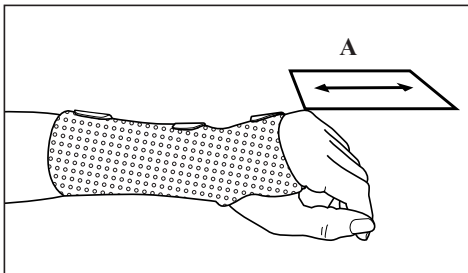
| Art. N° | Description |
|---------|--|
| 35305 | 5x single ORFITUBE ADJUSTER |
| | 5x ORFITUBE™ |
| | 5x ORFITUBE END |
| | 1x bending rod |
| | 1x ORFITUBE™ ADJUSTER - SET INSTRUCTIONS FOR USE |
| | 1x allen wrench |

C. APPLICATION TECHNIQUE

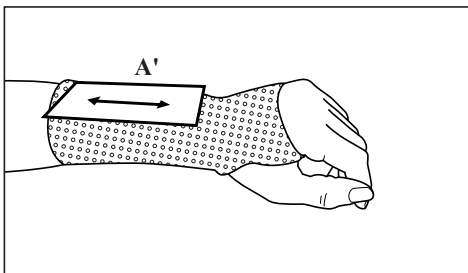
1. Put a basic splint on the patient.



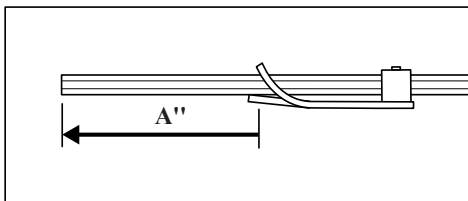
2. Determine in which plane the suspension point needs to be adjustable (A).



3. Find a location on the splint that is \pm parallel to this plane (A').

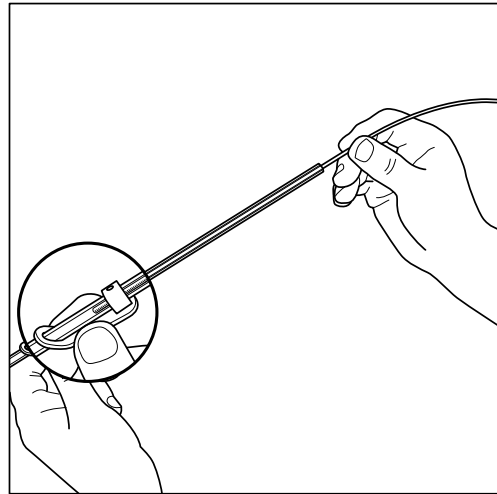


4. Feed the ORFITUBE™ through the ADJUSTER over the anticipated setting distance and fasten the screw of the adjusting ring.

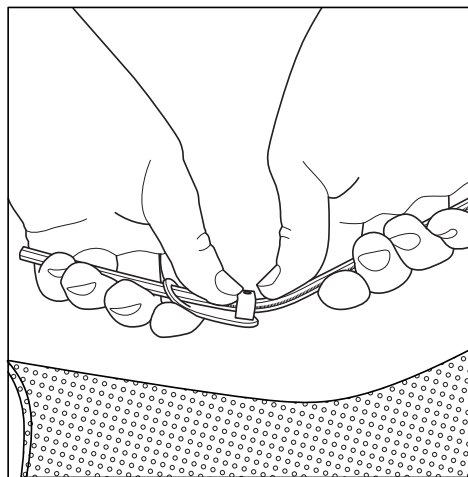


5. If the ORFITUBE™ fits the orthosis without bending, then continue with item 10.

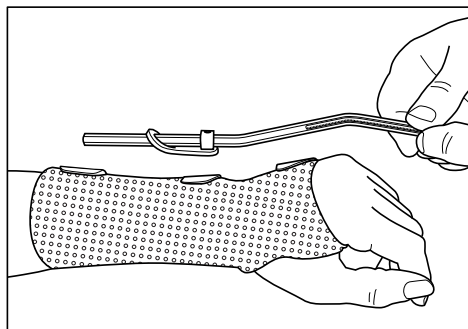
6. In order to bend the ORFITUBE™, first introduce the bending rod till beyond the adjusting ring



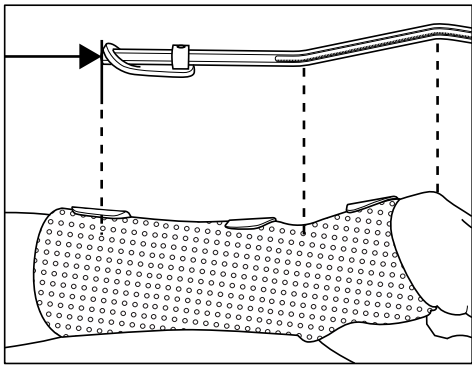
7. Bend the ORFITUBE™ to the desired angle



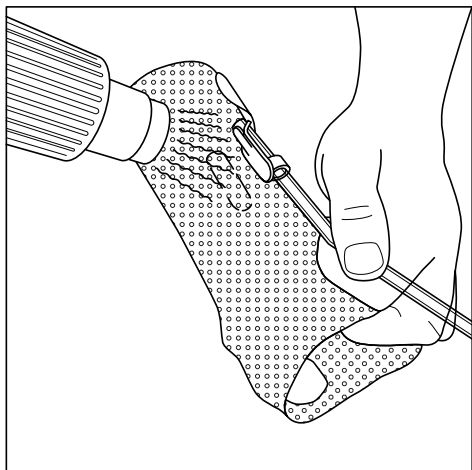
8. Remove the bending rod from the angle and if necessary make additional bends to end up in the adjusting plane again



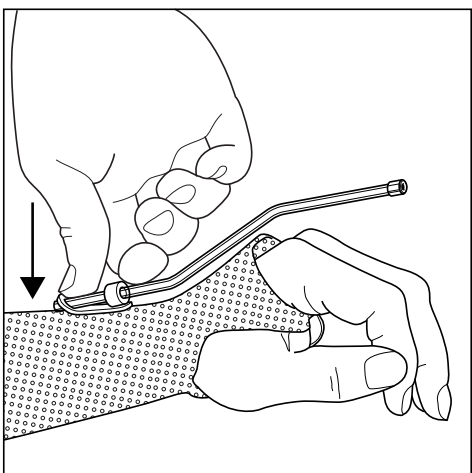
9. Completely remove the bending rod from the tube
10. Now slide the ORFITUBE™ into the ADJUSTER up to its most distal position



11. For a few seconds, heat the underneath of the ORFITUBE™ ADJUSTER as well as the attachment location on the orthosis with a heat gun (watch out for overheating)



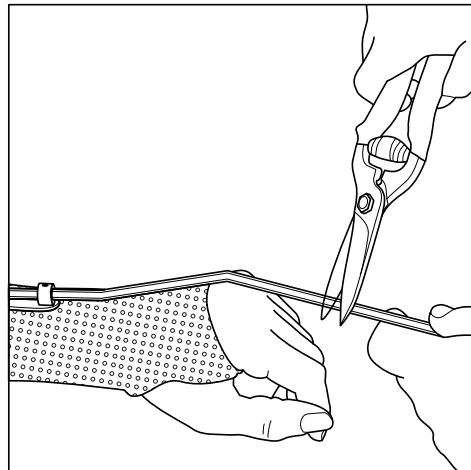
12. Firmly press the ADJUSTER onto the orthosis in the desired position and allow it to cool down completely.



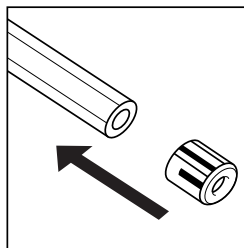
Note:
after heating, the ADJUSTER can be adhered to the following splinting materials:

- A: Orfit® Classic, Orfilight™ and Tecnofit®
- B: Colorfit®, Soft-Fit® and Orlined®, provided the “Non Stick” - coating is mechanically removed.
- C: it is possible to attach the ORFITUBE™ ADJUSTER onto other, non-adherent splint materials, by using suitable adhesives
- D: in some cases, it may be possible to detach the adjusting ring and screw it directly onto the splint

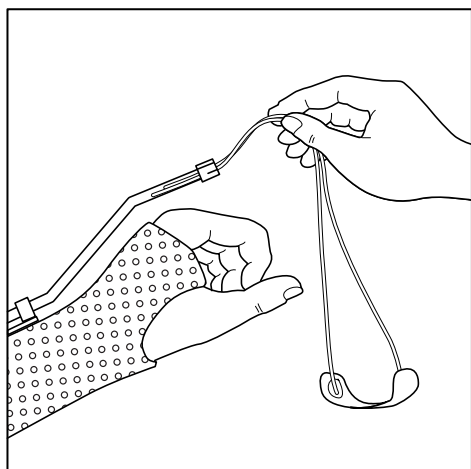
13. Cut the ORFITUBE™ to length using heavy scissors (or by incision and breaking)



14. Press the TUBE END firmly onto the ORFITUBE™



15. Introduce an braided elastic (ref. 35312 - 35313 - 35314) equipped with a finger cuff

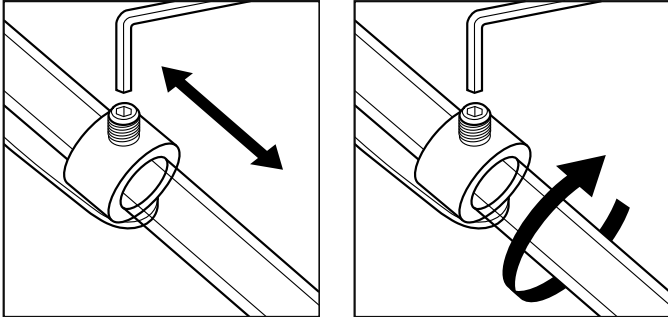


16. Give the required tension to the elastic.

D. ADJUSTING THE ORFITUBE™

As it should remain possible to vary the elastic's suspension point during the course of rehabilitation, the ORFITUBE™ can be accurately adjusted.

By loosening the adjusting screw, the ORFITUBE™ can be rotated and/or translated.



E. MAINTENANCE

The ORFITUBE™ ADJUSTER does not require maintenance. It can be cleaned with lukewarm water and soap.

It is not possible to sterilise an ORFITUBE™ ADJUSTER in an autoclave, although it can be sterilised using gas sterilisation. It can be disinfected using alcohol

F. WARNINGS

Draw patients' attention to possible consequences of the incorrect action of dynamic splints.

- accidental modification of the ORFITUBE™ set-up
- fixation plate or tube-end loosening

Do not use an open flame to heat the ADJUSTER fixation plate

Only trained medical personnel should make and apply dynamic orthosis using the ORFITUBE™ ADJUSTER.

These instructions for use were drawn up in conjunction with European Directive 93/42/EEG related to medical devices. It is forbidden to make alterations to this text without the prior agreement of ORFIT Industries.

Should you wish any additional copies, please contact your local distributor or send a fax message to (+32)(0)3 326 14 15, or an e-mail message to welcome@orfit.com.

© ORFIT INDUSTRIES 2001
ref.:31201E
version 1.7
Date: 28 08 2001