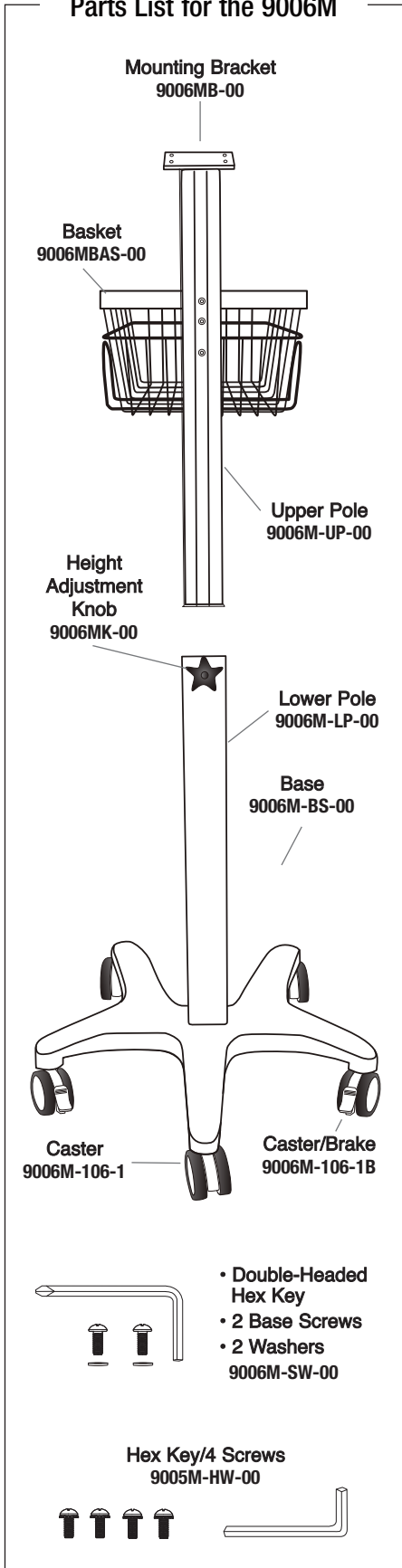
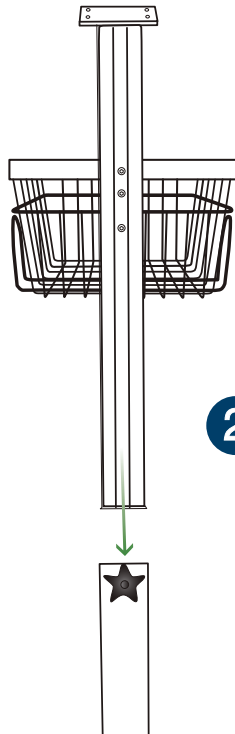
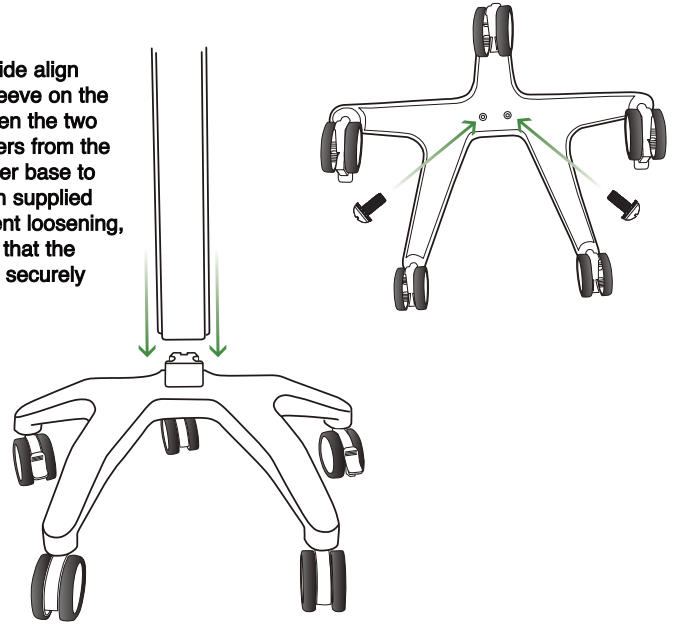


## Parts List for the 9006M

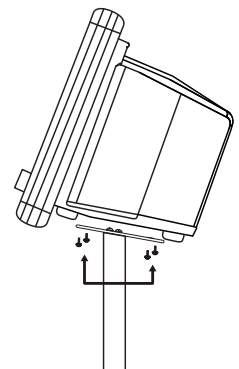


## Mobile Mount Assembly

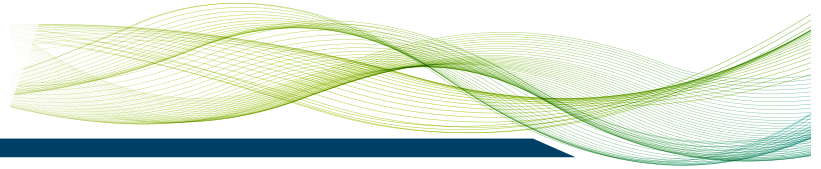
1. With base on its side align lower pole over sleeve on the caster base. Tighten the two screws with washers from the bottom of the caster base to the lower pole with supplied hex key. (To prevent loosening, periodically check that the hardware remains securely tightened.)



2. Align the upper pole with the lower pole and insert downward until fully seated. Once seated, twist the height adjustment knob clockwise to lock the upper pole to desired height.

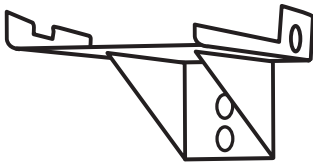


3. Align holes on bottom of the ADView 2 with the four holes on the mounting plate as shown. Tighten the four mounting hex screws with supplied hex key through bottom of mounting plate into the ADView 2.



## Parts

Printer Shelf  
9005PSHELF

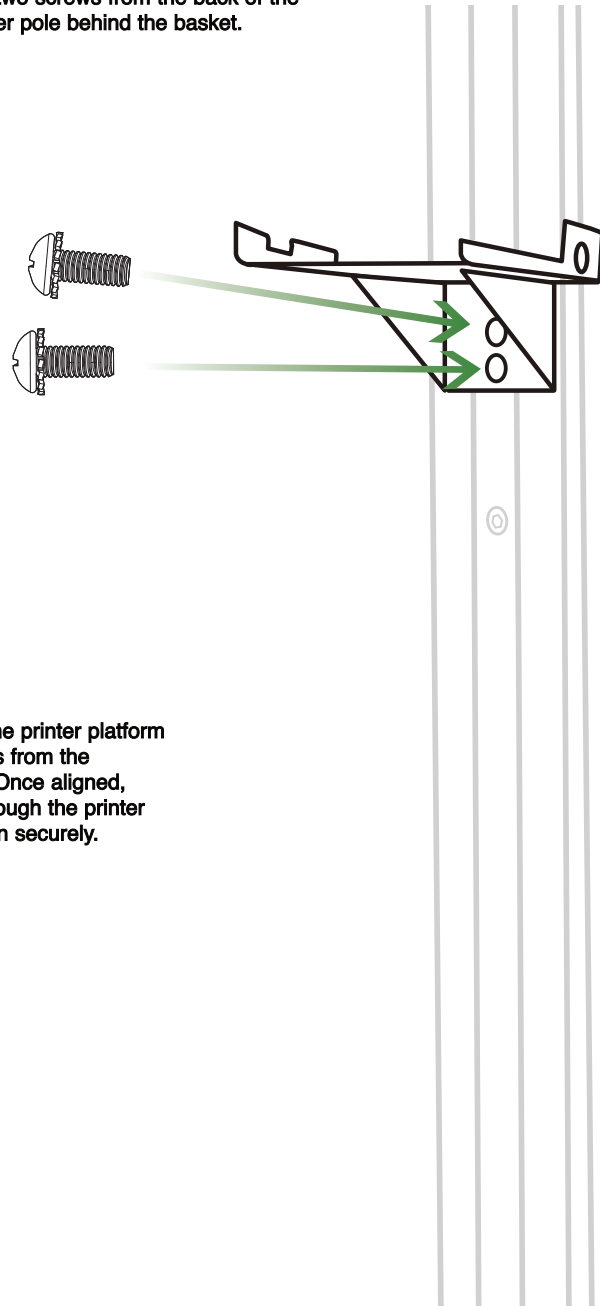


### Tools Required

- Phillips screwdriver

## Assembly of Optional Printer Shelf

1. Using a Phillips screwdriver, remove the two screws from the back of the upper pole behind the basket.



2. Align the back of the printer platform with the open holes from the removed screws. Once aligned, reinsert screws through the printer platform and tighten securely.



American Diagnostic Corporation  
55 Commerce Drive  
Hauppauge, NY 11788

tel: 631-273-9600  
toll free: 1-800-232-2670  
fax: 631-273-9659

[www.adctoday.com/adview2](http://www.adctoday.com/adview2)  
[info@adctoday.com](mailto:info@adctoday.com)

To register your product, visit us at  
[www.adctoday.com](http://www.adctoday.com)  
and follow the links

For questions, comments, or suggestions,  
call in the U.S.A. Toll Free:  
1-800-ADC-2670