

# 250-10-2

Bariatric Handrail Scale



Approvals



## Part Number/Price

Part #	Model #	Capacity	Price
133119	250-10-2	1,000 × 0.2 lb (450 × 0.1 kg) with USB	Consult
194733	250-10-2BLE	1,000 × 0.2 lb (450 × 0.1 kg) Bluetooth® BLE 4.0	Consult

## Shipping Weight

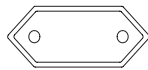
Part #	Model #	L × W × H	Package Wgt. (lb)	Dim Wgt. (lb)	Shipping Wgt. (lb)
133119	250-10-2	45 × 29 × 9 in	66	85	85
194733	250-10-2BLE	45 × 29 × 9 in	66	85	85

## Options/Accessories

Part #	Description	Price
115655 †	9 VDC adaptor, 120 V/230 V auto switching c-MET medical grade power supply	Consult
133077 †	9 VDC adaptor, 120 V/230 V auto switching	Consult
102508 ††	9 VDC adaptor, 230 V	Consult
81076	Epson TM-U220 tape printer	Consult
186830	Printer cable, 25-pin D-Sub male to RJ-45, 6 ft	Consult



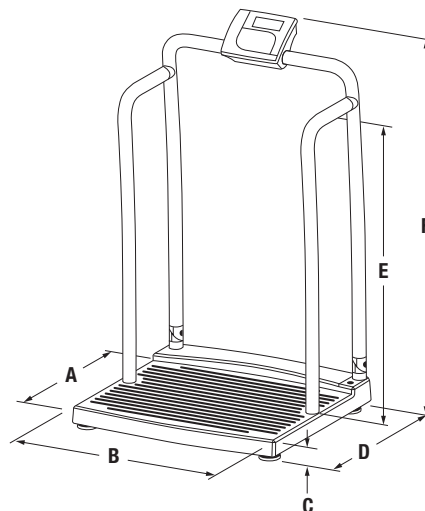
† NEMA 1-15 Plug



†† CEE 7/16 Plug

## Dimensions

	Inches	Centimeters
A	20.0	50.8
B	25.0	63.5
C	3.0	7.6
D	25.0	63.5
E	34.0	86.4
F	44.5	113.0



## Standard Features

- Handrail for support and safety
- Two wheels for ease of portability
- Large 1-inch LCD display
- Non-skid platform
- Unit of measure toggle or locking
- Motiontrap™ movement compensation technology
- EHR capable
- USB or Bluetooth® BLE 4.0 available, part number selectable
- Tare function
- Hold function
- BMI (body mass index) function
- Factory calibrated

## Specifications

### Capacity:

1,000 × 0.2 lb (450 × 0.1 kg)

### Platform Dimensions:

(W × L × H) 20 × 25 × 3 in

### Power:

9 VDC, provided by six AA alkaline batteries (included) or AC adaptor (optional)

### Battery Type:

Six AA alkaline (included)

### Battery Use:

25 hours continuous use with batteries  
Automatic power-off can be configured

### Operating Temperature:

50 °F to 104 °F (10 °C to 40 °C)

### Display:

5-digit LCD display, 0.75 in (1.9 cm) digit height

### Approvals:

c-Met, E113986

### Warranty:

Two-year limited