

Model: SA228 / SA228H / SA182 / SA182H



SA182 model shown

BEFORE USE:



Ensure the product has been assembled according to the instructions in this manual. All operators should read and understand the instructions for safe and proper operation of the patient lift.



Thank you for choosing Bestcare!

To better serve you, please record the following information for future use:

Supplier Name: _____

Supplier Telephone: _____

Product Serial Number: _____

Date of Purchase: _____

Date of Manufacture

BestStand® SA182
MAX LOAD: 400LB
MASS OF LIFT:108LB(49KG)
Bestcare
2920 Pacific Dr,
Norcross, GA 30071
1-678-679-6690
S/N: SA182YYMM2XXX



800519

The manufacturing date can be found on the serial number label that is located at the top of the mast. The YY in the serial number is the manufacture year, and the MM is the manufacture month.



This product has been tested by SGS, an accredited testing institute to comply with the requirements of:

ISO 10535, IEC 60601-1, ANSI/AAMI ES60601-1, CAN/CSA-C22.2 No.60601-1, IEC 60601-1-11, ANSI/AAMI HA60601-1-11, CAN/CSA-C22.2 No.60601-1-11, IEC 60601-1-2

Product Description

The BestStand® SA182 and SA228 allow the patient to be lifted and transferred safely with minimal physical effort provided by the operator. The SA182 and SA228 use an electric actuator to lift patients weighing up to 400lbs and 500lbs, respectively, from a sitting to a standing position from either a bed or a chair for transferring. The lift has a standing platform to be used while transferring patient from one surface to another, also included is a cushioned knee pad for additional comfort and support while patient is being transferred. The SA182 and SA228 have a compact base for maneuvering easily while still providing a wide lifting range. The SA182 and SA228 are compatible with the stand assist sling and sani-sling with the option to add the knee and buttocks support straps.

















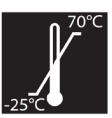
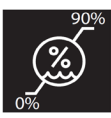


Intended Use

The SA182 and SA228 are intended for patients who are lacking leg strength in their lower extremities but are still able to bear weight. The SA182 and SA228 are intended to assist with standing from a seated position while using the commode, changing clothes and/or to relieve pressure. The SA182 and SA228 are intended to have one caregiver operate the lift to perform the transfer. Transfers are intended to be performed on a flat, dry surface and lifts are not to be used in high humidity environments for extended periods of time.

DEFINITIONS & SYMBOLS

In this manual the user refers to the patient or resident and may be used interchangeably at different times. Caregiver refers to the operator or person who is assisting with the transfer.

Symbols used in this manual and on the product and their meanings:

	Warning! Failure to heed this warning may result in damage to the product or serious injury to the operator and/or user.		Do Not Bleach. No bleach product may be used. The garment is not colorfast or structurally able to withstand any bleach.
	Important instructions follow. Read and understand the instructions in the manual before using the product.		Do Not Dryclean. Garment may not be commercially drycleaned.
	Type BF applied part. Refer to the part of the medical device which come into physical contact with the patient in order for the device to carry out its intended		Do Not Iron. Item may not be smoothed or finished with an iron.
	Class II symbol. To identify equipment is designed that a connection to electrical earth (ground) is not required.		Tumble Dry, Normal, Low Heat. A machine dryer may be regularly used at a maximum of Low Heat setting.
	Note! Important information concerning the product and/or its correct and proper usage follows.		Do Not Dry. A machine dryer may not be used.
	Advise the operator to consult the accompanying documents before use.		Machine Wash, Hot. Initial water temperature should not exceed 82°C or 180°F.
	Right side up		Do Not Wash
	Fragile, handle with care		Keep dry
	Carton storage temperature limit of -25°C to 70°C		Carton storage humidity limit of 0% to 90%
	European Conformity mark, The product conforms to European Medical Directive 93/42/EEC and meets applicable health, safety and environmental requirements.		Handle with care



Safety Instructions

A BestStand® will provide years of service if it is properly maintained as any electric and/or mechanical equipment requires. Please pay careful attention to the following important information regarding the care, maintenance, and operation of the patient lift. Carefully read these instructions before assembling the lift, or attempting to lift a user with the device.

- Before attempting to lift anyone, please practice operating the lift and explain the lifting procedure to the user/patient.
- Special care must be taken with users/patients who cannot themselves provide assistance while being lifted. (i.e. patients who are comatose, spastic, agitated, or otherwise severely handicapped.)
- The patient lift should be used solely for transferring a user/patient from one utility (beds, chairs, toilets, etc.) to another. The patient lift should not be used for transporting or moving any patient from one location to another location.
- During lifting or lowering, whenever possible, always keep the base of the lift in the widest position.
- The base of the lift should be closed before moving the lift.
- Do not roll casters over any object while the user/patient is in the sling.
- Do not lock casters during lifting.
- While being lifted in a sling, always keep the user/patient centered over the base and facing the caregiver operating the lifter.
- Never leave the user/patient unattended during lifting.

Service personnel may contact Bestcare for any information, instructions, or certain parts for servicing purpose.

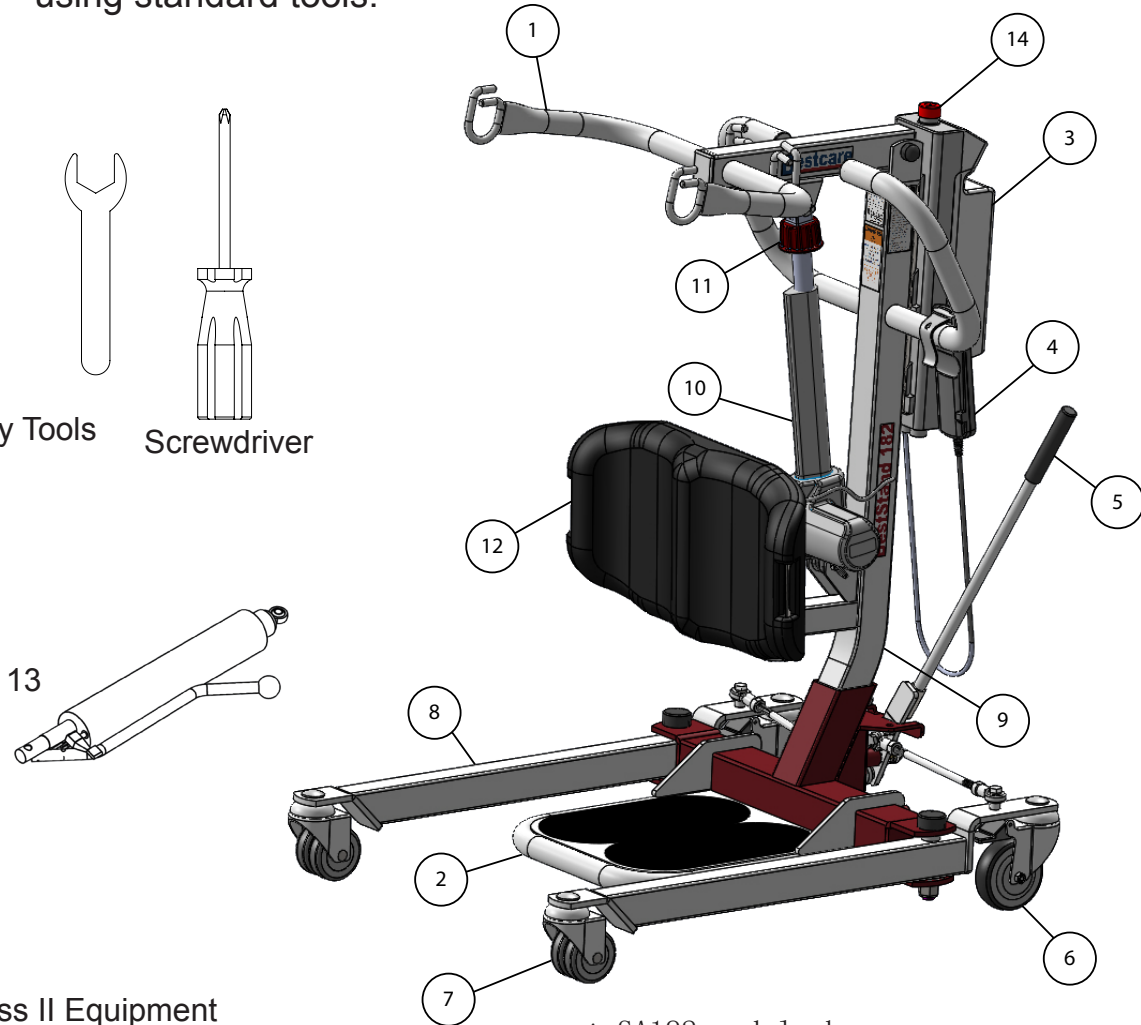
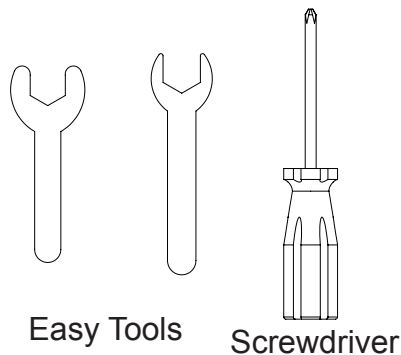


WARNING!

- **NO** modification of this equipment is allowed. It is unsafe to modify the equipment from its original state. This product is deemed safe to use with only the original parts as delivered. Unauthorized use of any modified equipment may result in serious injury or death.
- **DO NOT** replace any components of the lift without consulting with Bestcare, and must follow proper instruction from Bestcare when replacing any components.
- **DO NOT** service any parts of the lift while in use with a patient.
- It is **NOT** safe to load the equipment more than the indicated maximum safe working load.
- **IF** any accessories with lower load capacity than the equipment itself is used, **DO NOT** load the equipment more than the lowest maximum safe working load.
- **REMOVE** the battery pack if the lift will not be used for some time, to prevent battery leakage. **PERIODICALLY** check the battery pack and the charger
- This equipment **DOES NOT** consist of any materials or ingredients to which patients are exposed, that may cause bodily harm or injury.
- Prolonged exposure or physical contact with any part of the equipment **WILL NOT** cause skin irritation, allergic reaction, etc.
- Using accessories, detachable parts, or materials not described in the instruction manual **MAY RESULT IN SERIOUS INJURIES.**
- Keep the equipment away from children and pets when in use. **IT MAY CAUSE SERIOUS INJURY OR DEATH.**
- Keep the equipment away from any pests or pest infested area. Diseases transferred from pests to the equipment **MAY CAUSE SERIOUS ILLNESS** to patients upon contact.
- If the lift is exposed to the sun for long periods of time, be **CAUTIOUS** as the surface of the lift may be hot.
- There are no risk if the lift is exposed to reasonably foreseeable environmental conditions
- **CAUTION!** The controller contains parts and assemblies that could be susceptible to **damage by electrostatic discharge (ESD)**. To reduce the likelihood of this, one should be grounded prior to using the controller.
- **DO NOT** use the lift on an inclined surface that is greater than 5°.
- **CAUTION!** The black plastic bolt caps can fall off the bolt, and they are a choking hazard. If the cap will not stay on the bolt, replace it immediately.

FEATURES & OVERVIEW

- i** • Prior to assembly, unpack and inspect all parts from the shipping carton. Contact your dealer immediately if any parts are damaged or missing.
- Easy tools are provided to assist with initial set up. To ensure maximum safety, product should not be put into use until all connections are tightened using standard tools.

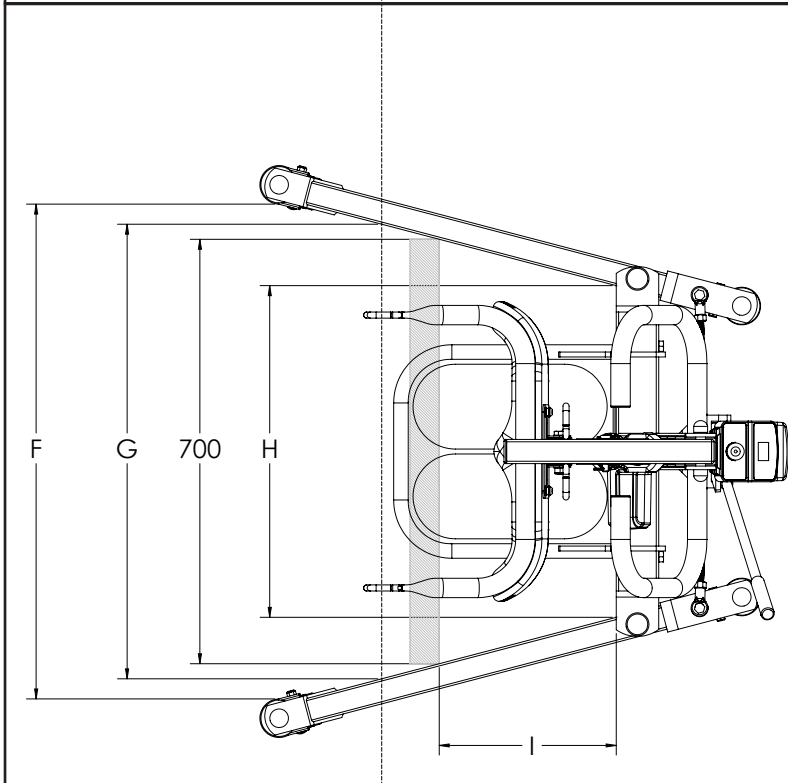
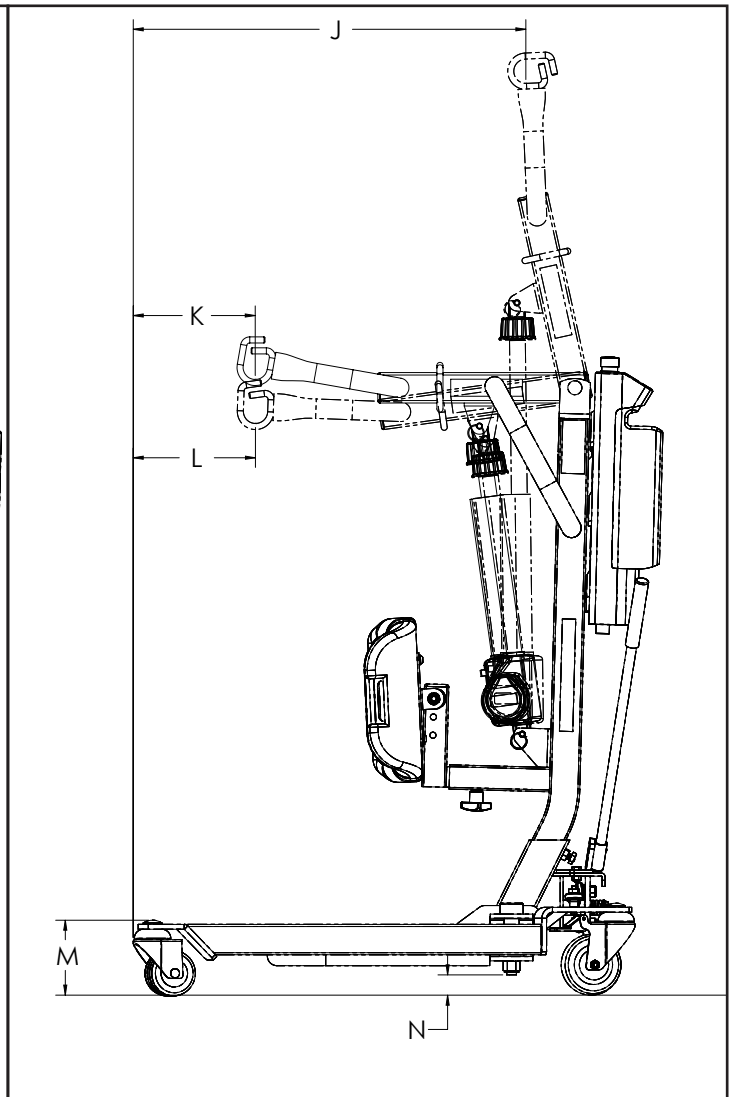
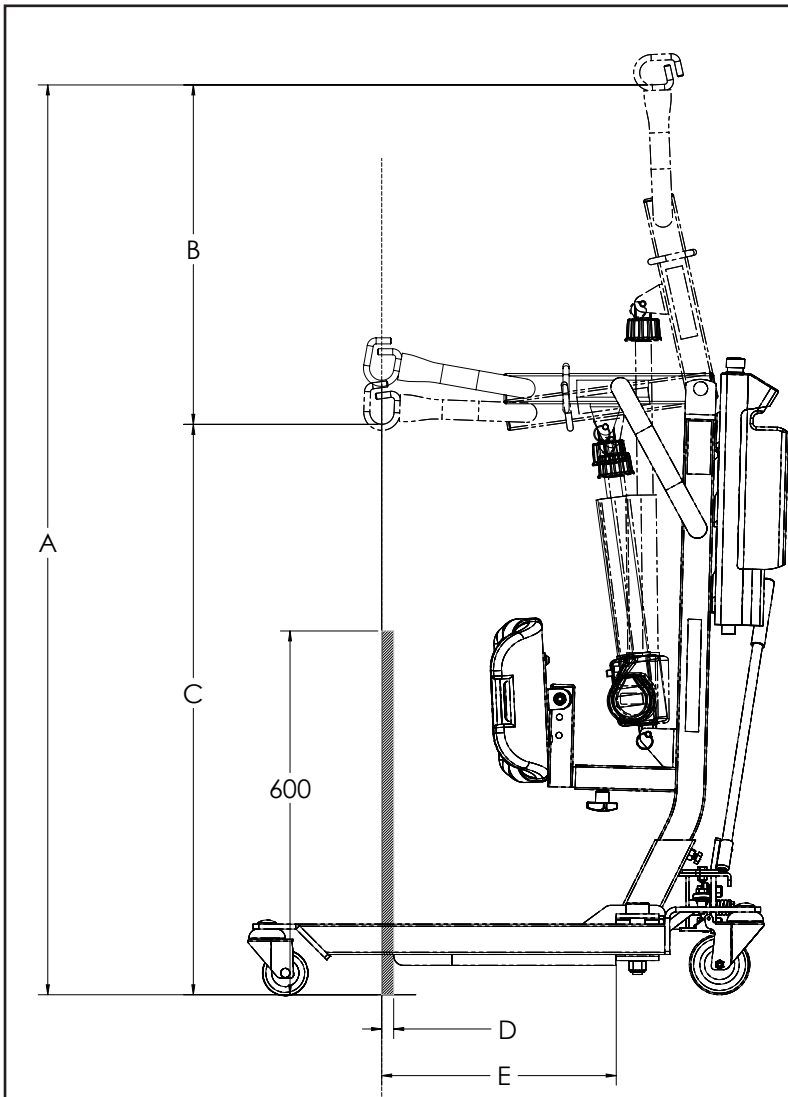


Class II Equipment

* SA182 model shown

1	Boom	8.4 lb (3.8 kg)	7	Front Caster	11	Emergency Lowering		
2	Footplate	10.1 lb (4.6 kg)	8	**Base	42.3 lb (19.3 kg)	12	Knee Pad	11.6 lb (5.3 kg)
3	Control Unit	11 lb (5 kg)	9	Mast	14.3 lb (6.5 kg)	13	Hydraulic Pump (Only for SA182H & SA228H)	13.6 lb (6.2 kg)
4	Hand Control	0.7 lb (0.3 kg)	10a	Actuator (Only for SA182)	7.3 lb (3.3 kg)	14	Emergency Stop Button	
5	Leg Opening Lever	1.1 lb (0.5 kg)	10b	Actuator (Only for SA228)	10 lb (4.5 kg)	Charger	0.6 lb (0.3 kg)	
6	Rear Caster							

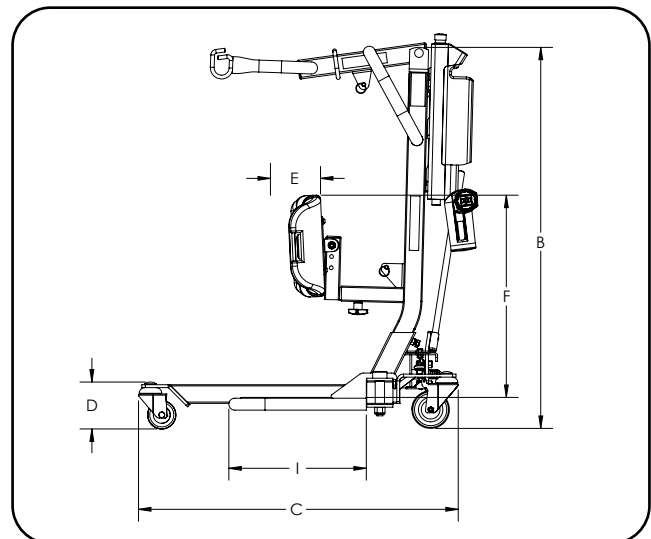
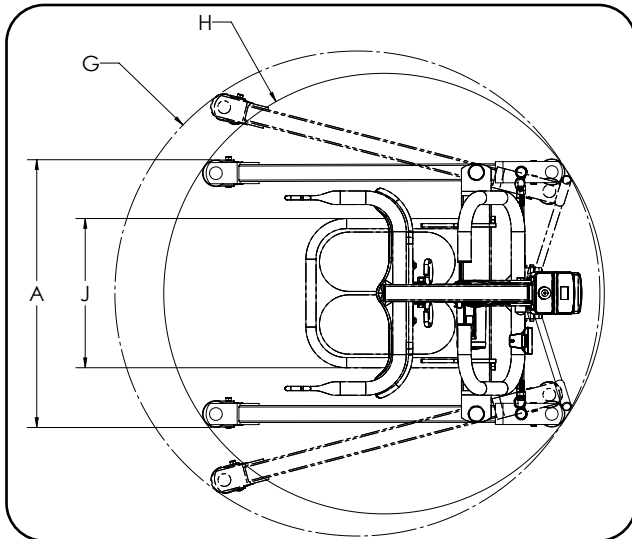
** Heaviest detachable part



	SA182/ SA182H mm (in)	SA228/ SA228H mm (in)
A	1500.5 (59.1)	1500.5 (59.1)
B	559.7 (22.0)	559.7 (22.0)
C	940.7 (37.0)	940.7 (37.0)
D	19.8 (0.8)	19.8 (0.8)
E	386.8 (15.2)	386.8 (15.2)
F	816.1 (32.1)	816.1 (32.1)
G	749.8 (29.5)	749.8 (29.5)
H	547 (21.5)	547 (21.5)
I	291.9 (11.5)	291.9 (11.5)
J	646.3 (25.4)	646.3 (25.4)
K	200.8 (7.9)	200.8 (7.9)
L	201.2 (7.9)	201.2 (7.9)
M	123.4 (4.9)	123.4 (4.9)
N	33.4 (1.3)	33.4 (1.3)

SPECIFICATIONS & OPTIONS

Specifications of Control Unit	
Input Voltage	220-240VAC 50Hz / 110-120VAC 60Hz
Output Voltage	24 VDC
Battery Pack	24 VDC 5AH
Lift Control	Handset and Panel
Protection Class	IP54 (Protection against dust and splash of water)
Sound Level Under Full Load	16db
Sound Level Under No Load	11db
Cycles Per Charge	25 full cycles under full load
Overload Warning	by LCD
Battery Status	by LCD
Duty Cycle	10% Duty cycle (Max 2 minute ON,18 minute OFF)



Additional Dimensions & Specifications			
Model		SA182 & SA182H	SA228 & SA228H
Safe Working Load		400 lb	500 lb
A	Base Ext. Width - Closed	24.9"	24.9"
B	Mast Height	40"	40"
C	Base Length	33.5"	33.5"
D	Front Caster Height	4.7"	4.7"
E	Knee Pad Depth Range	4"	4"
F	Knee Pad Height Range	21", 20" or 19"	21", 20" or 19"
G	Base Opened Turning Diameter	45"	45"
H	Base Closed Turning Diameter	41.9"	41.9"
I	Footplate Length	14.4"	14.4"
J	Footplate Width	13.9"	13.9"

Standard Features	
1	4-Points Boom
2	4" Rear Caster with Brake
3	3" Dual Front Caster
4	Power Control Unit
5	Single Piece Molded Kneepad
6	Depth Adjustable Kneepad Position
Optional Features	
1	Charging Cradle
2	Second Battery Pack

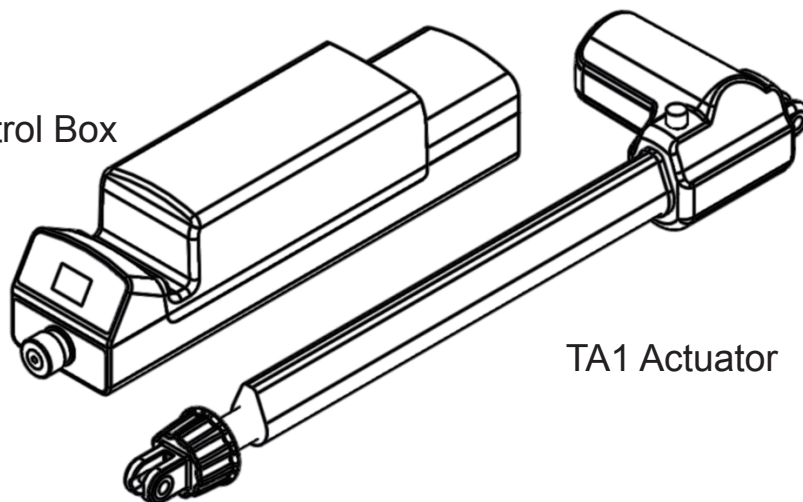
	SA182	SA182H	SA228	SA228H
Lift Weight Unloaded (lb)	108	101	110.6	101
Lift Weight Unloaded (kg)	48.9	46.1	50.3	46.1

* Bestcare is committed to continuous improvements of our products, therefore the specifications, dimensions, and features listed above are for guidance only and are subject to change without prior notice.

Actuator may vary based on the lift model

SA182

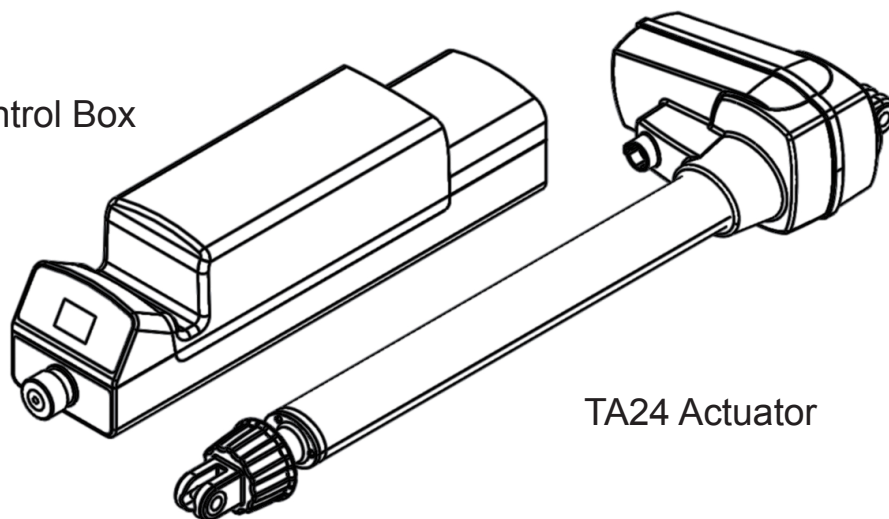
TC12 Control Box



TA1 Actuator

SA228

TC12 Control Box

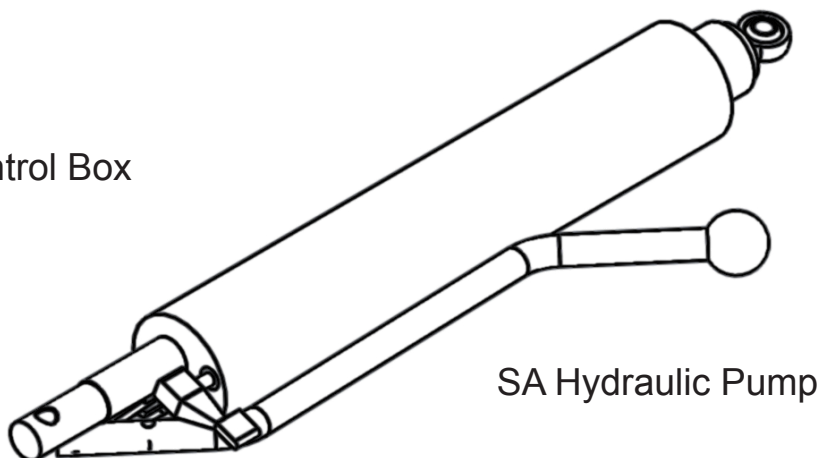


TA24 Actuator

SA182H

SA228H

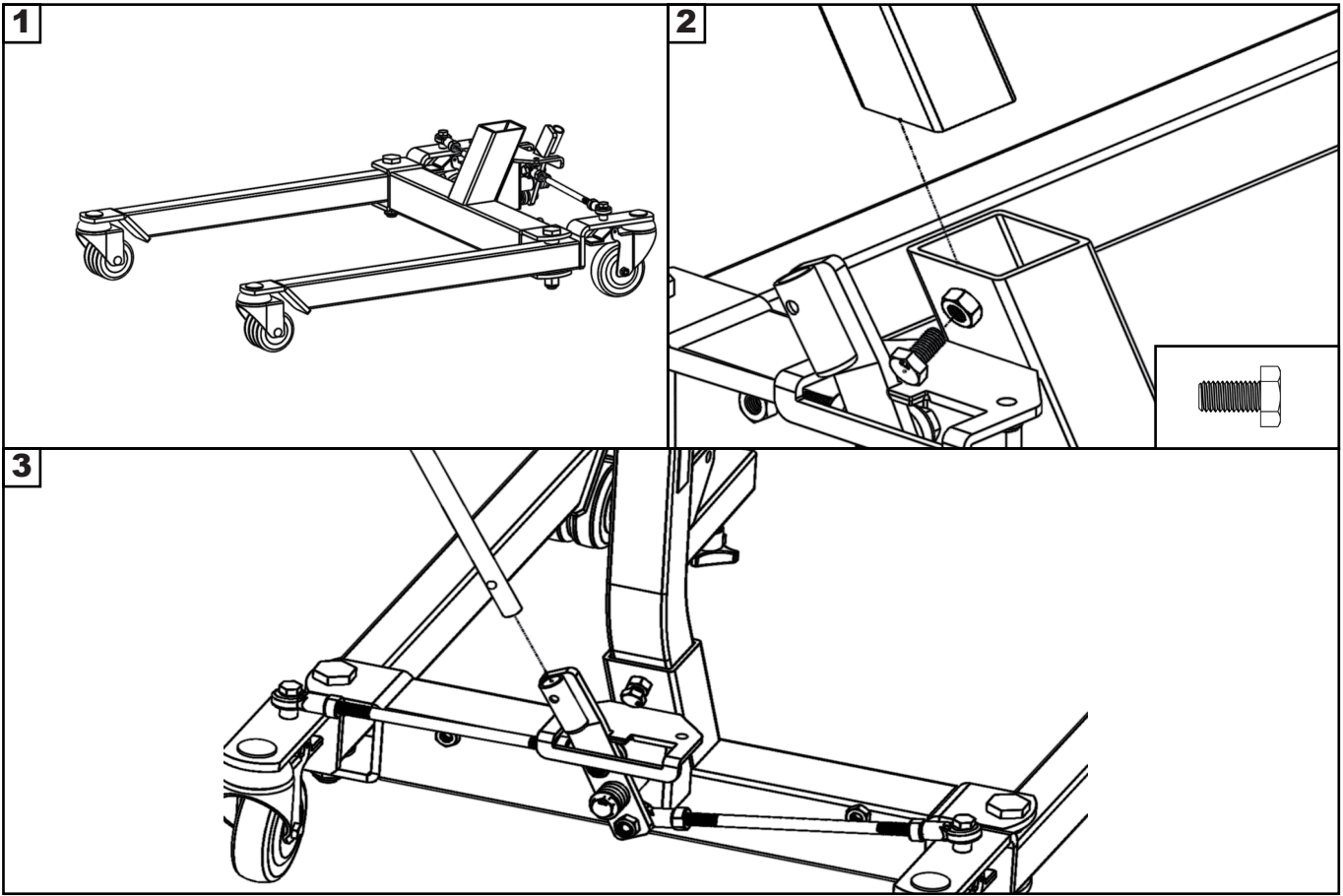
No Control Box



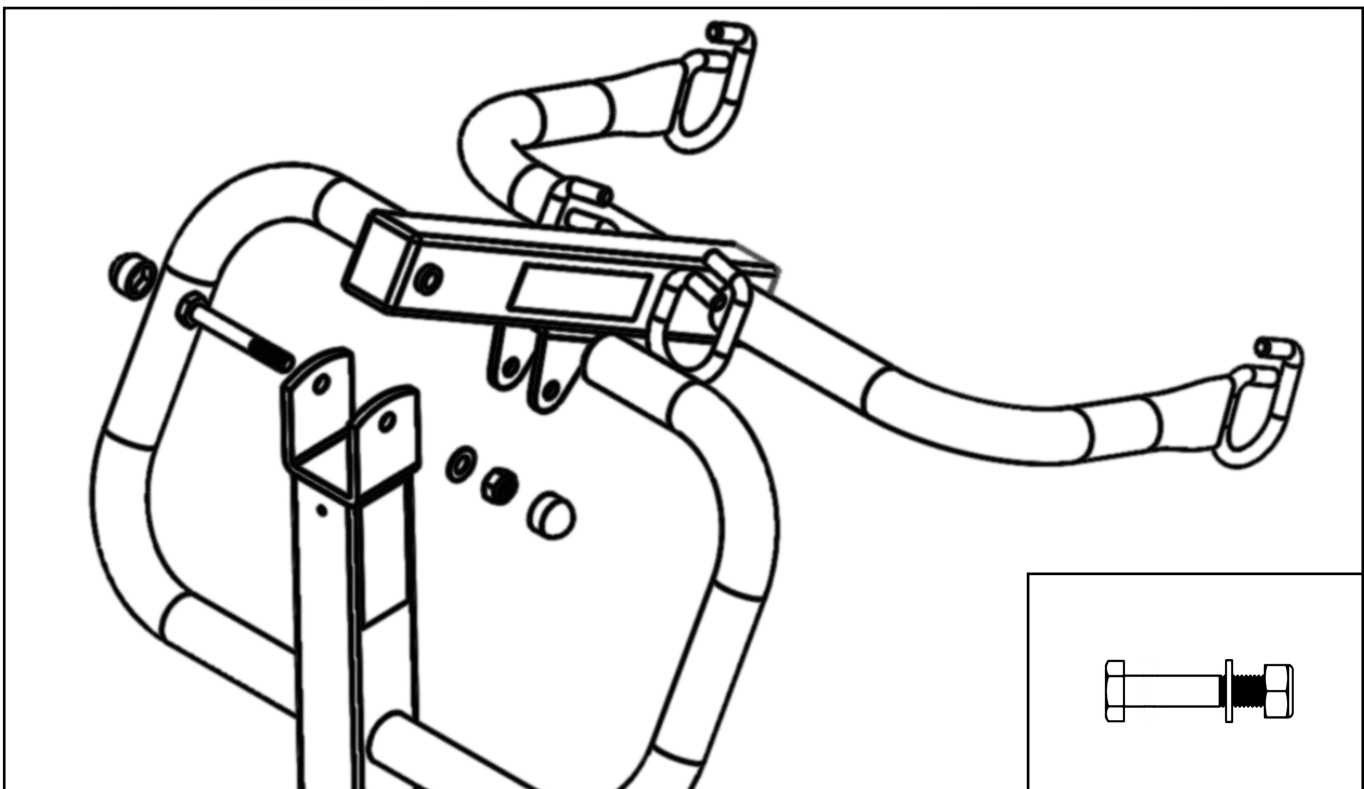
SA Hydraulic Pump

Installation

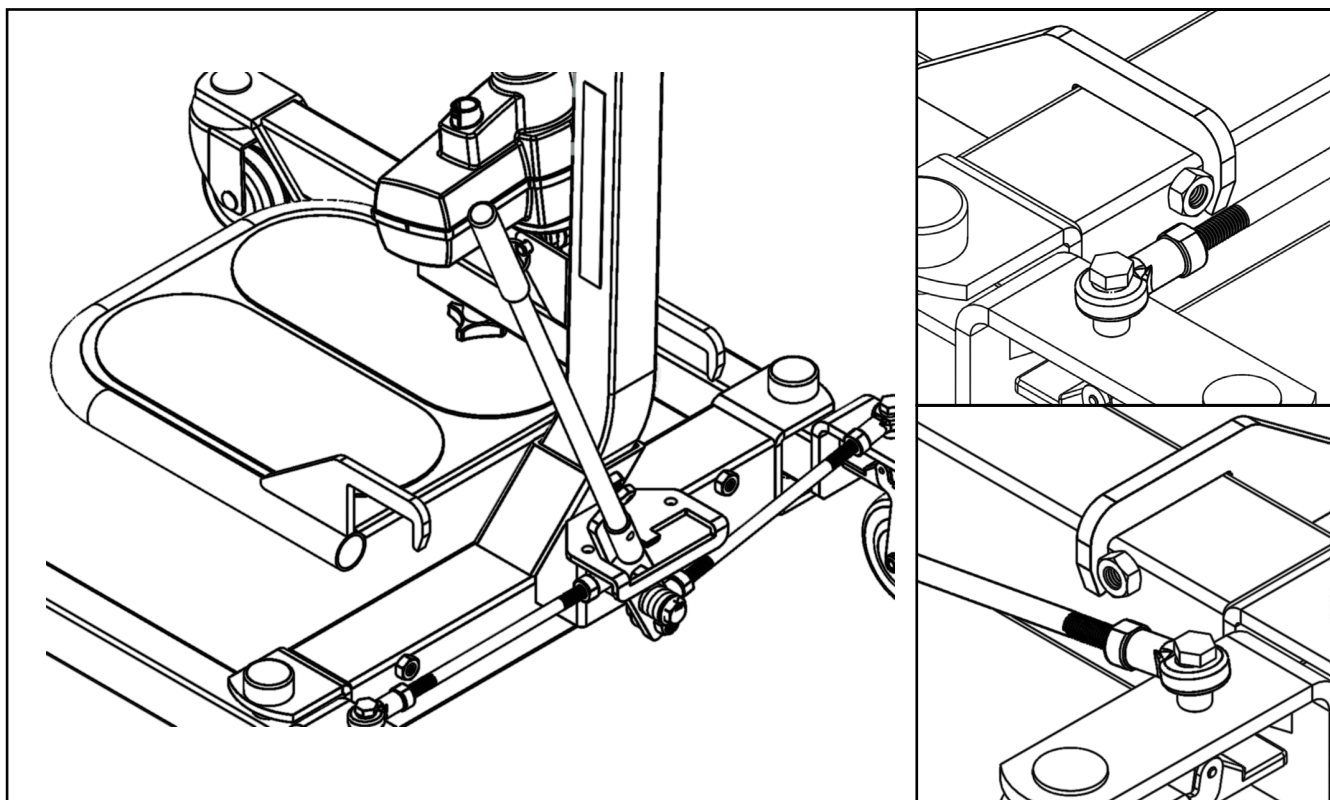
Step 1: Base and Mast



Step 2: Boom

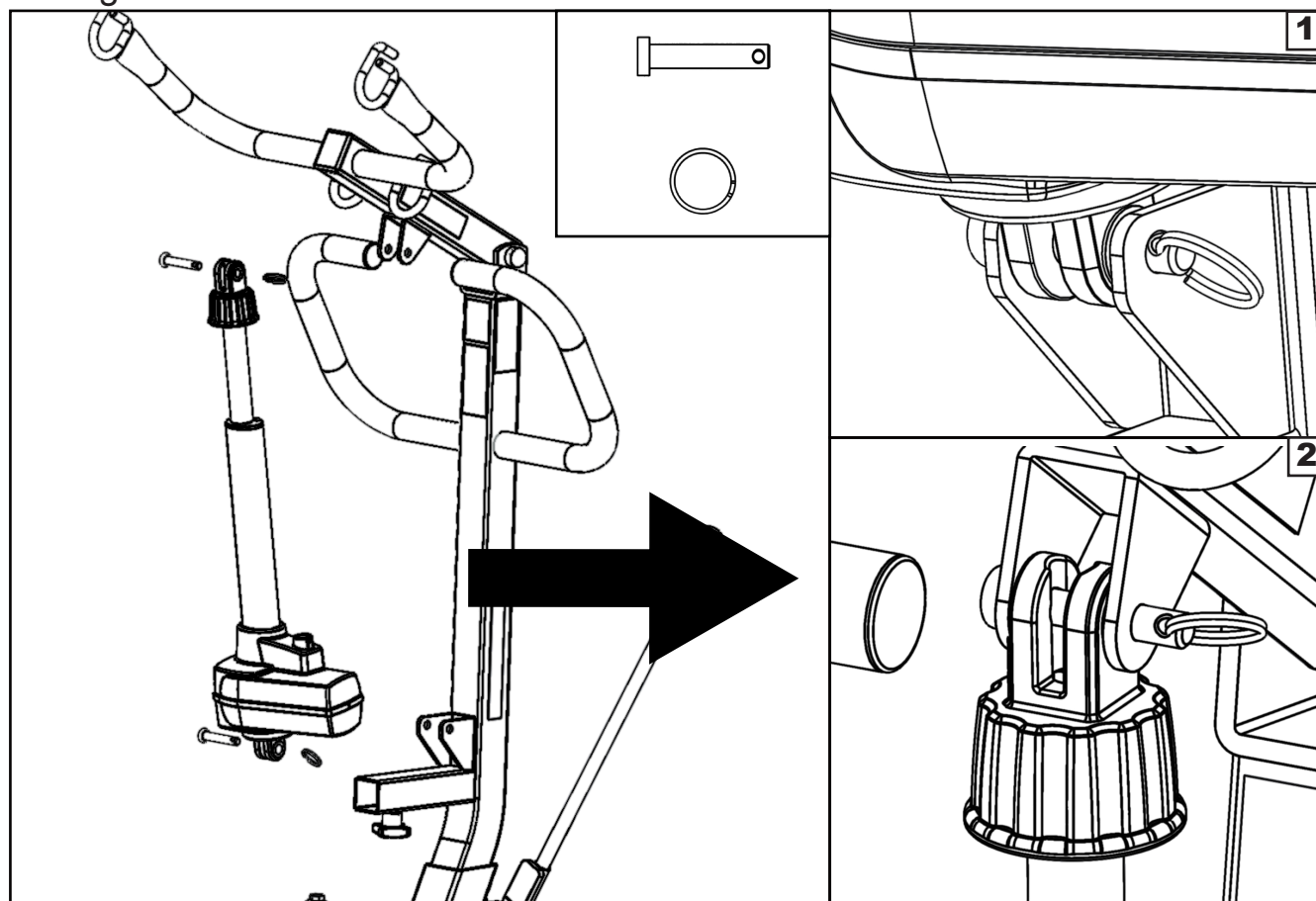


Step 3: Footplate

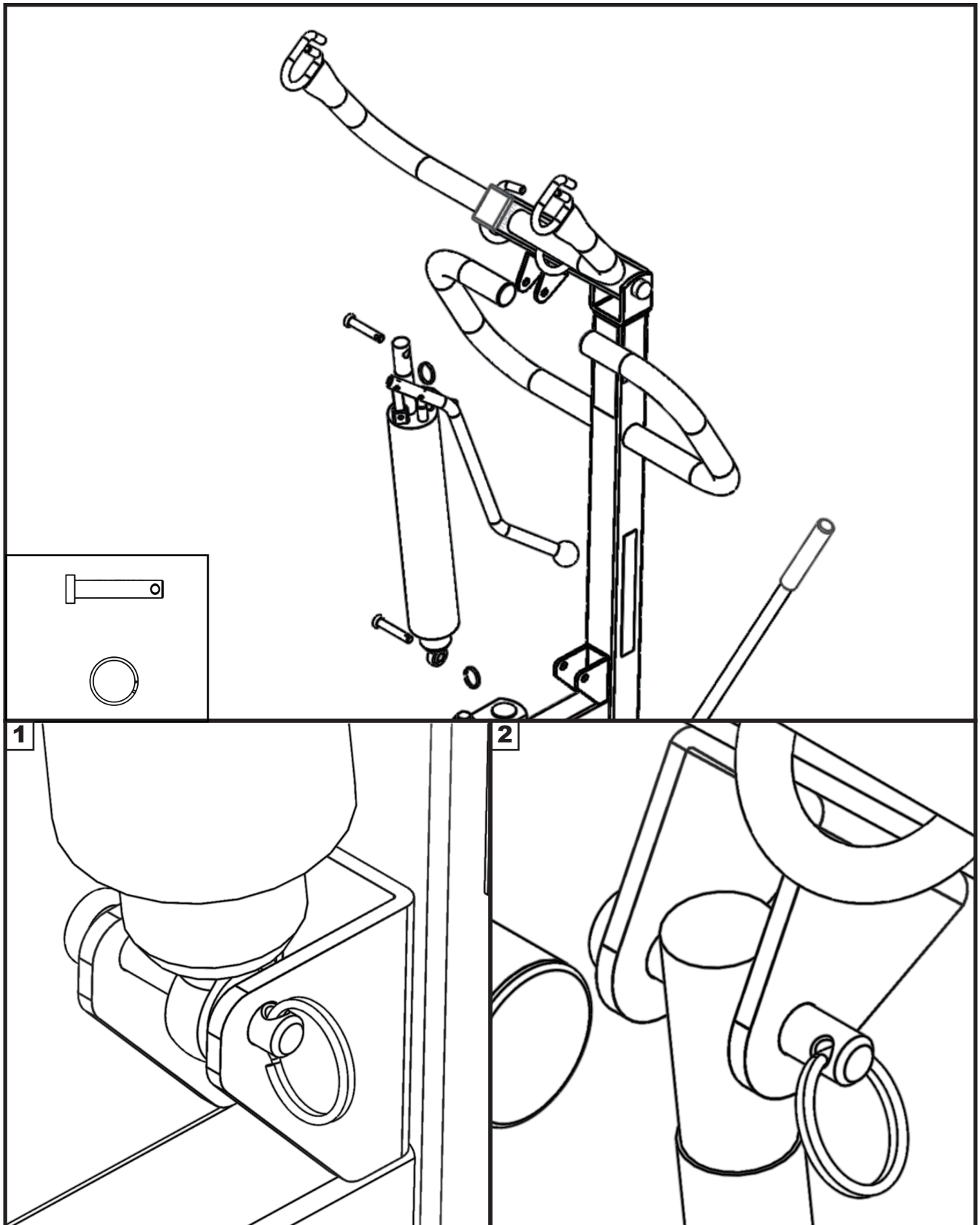


Step 4a: Actuator (For SA182 and SA228 Only)

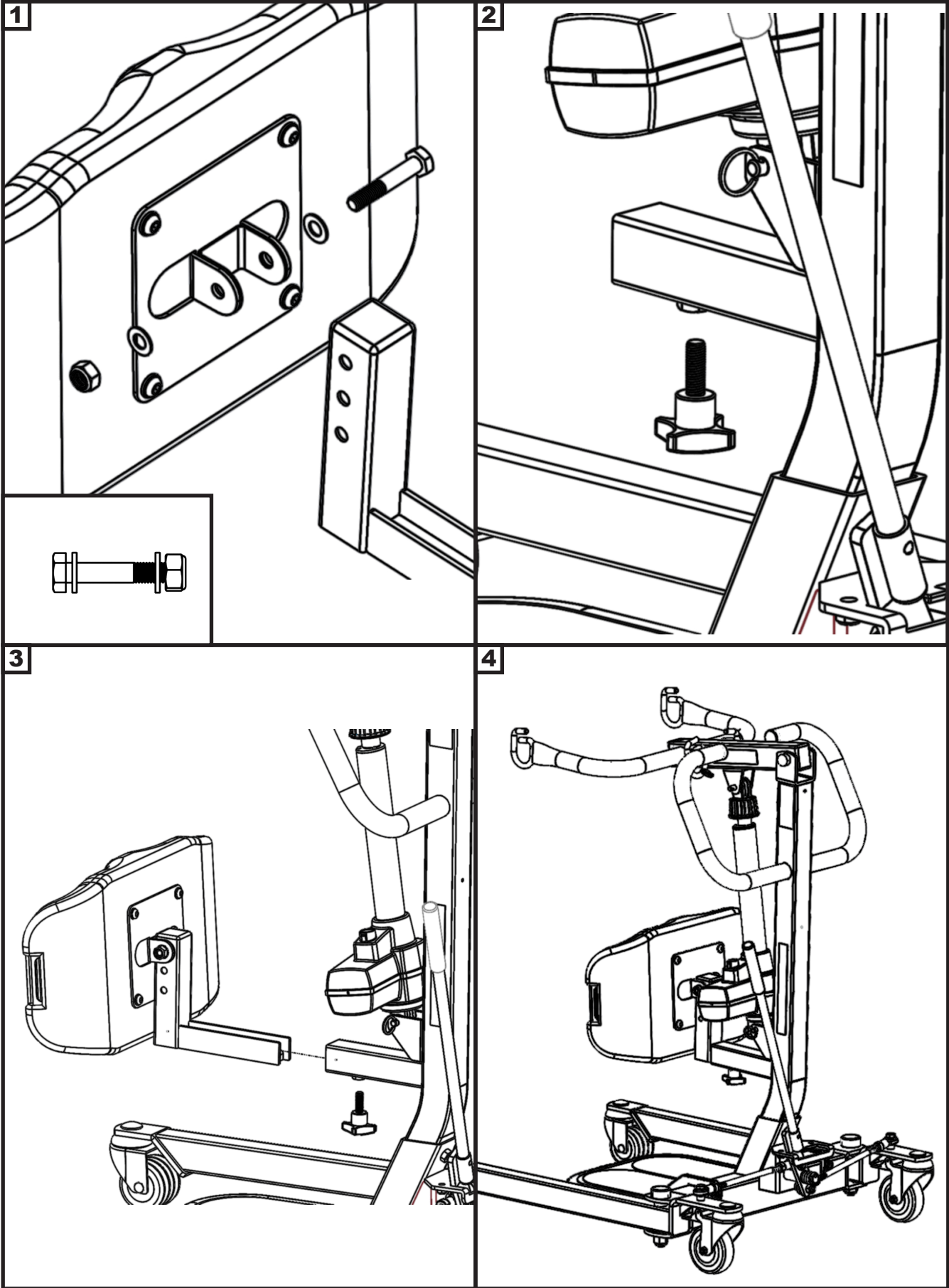
It is critical to have the motor part of the actuator to face the same direction as the big arrow as follows.



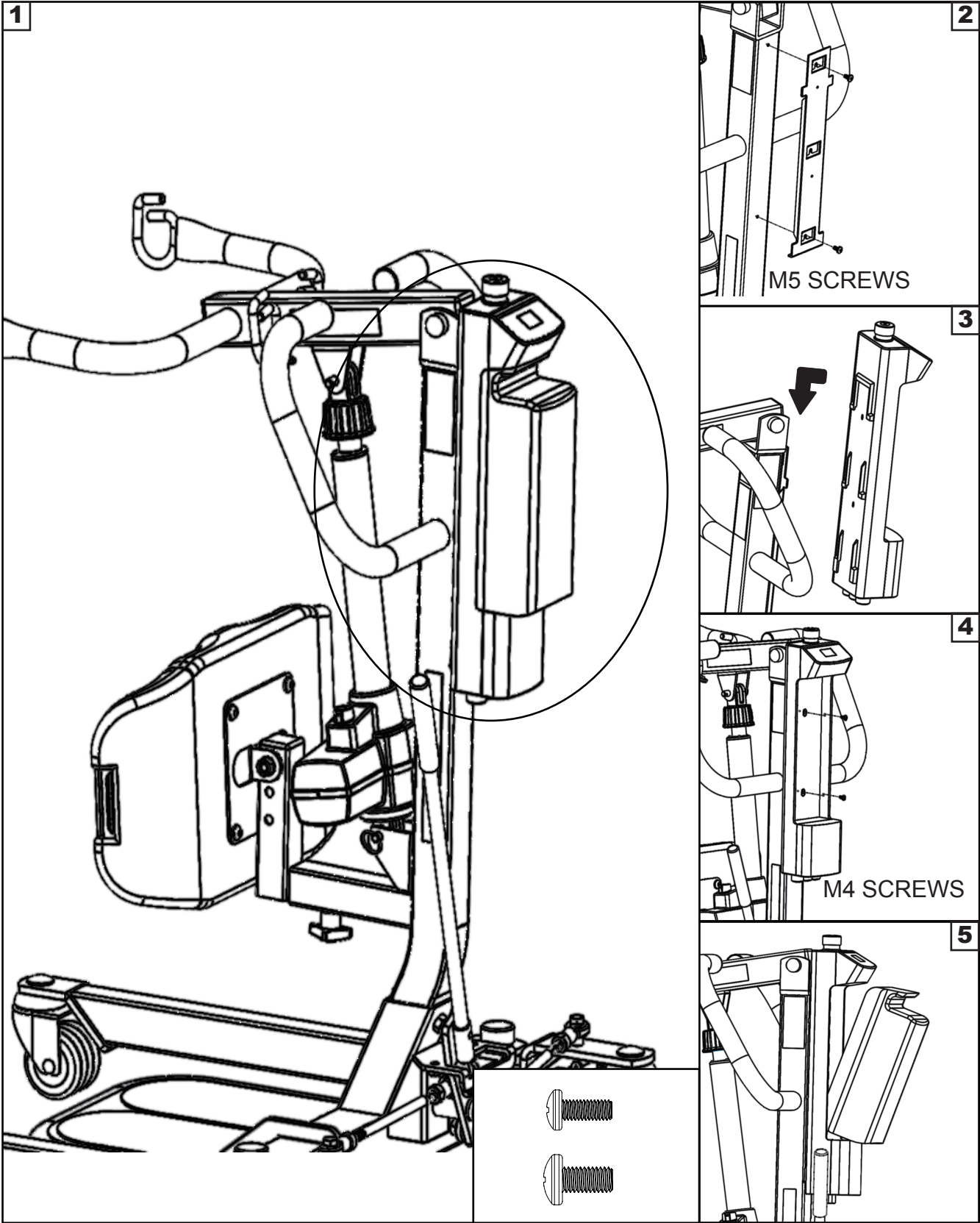
Step 4b: Hydraulic Pump (For SA182H and SA228H Only)



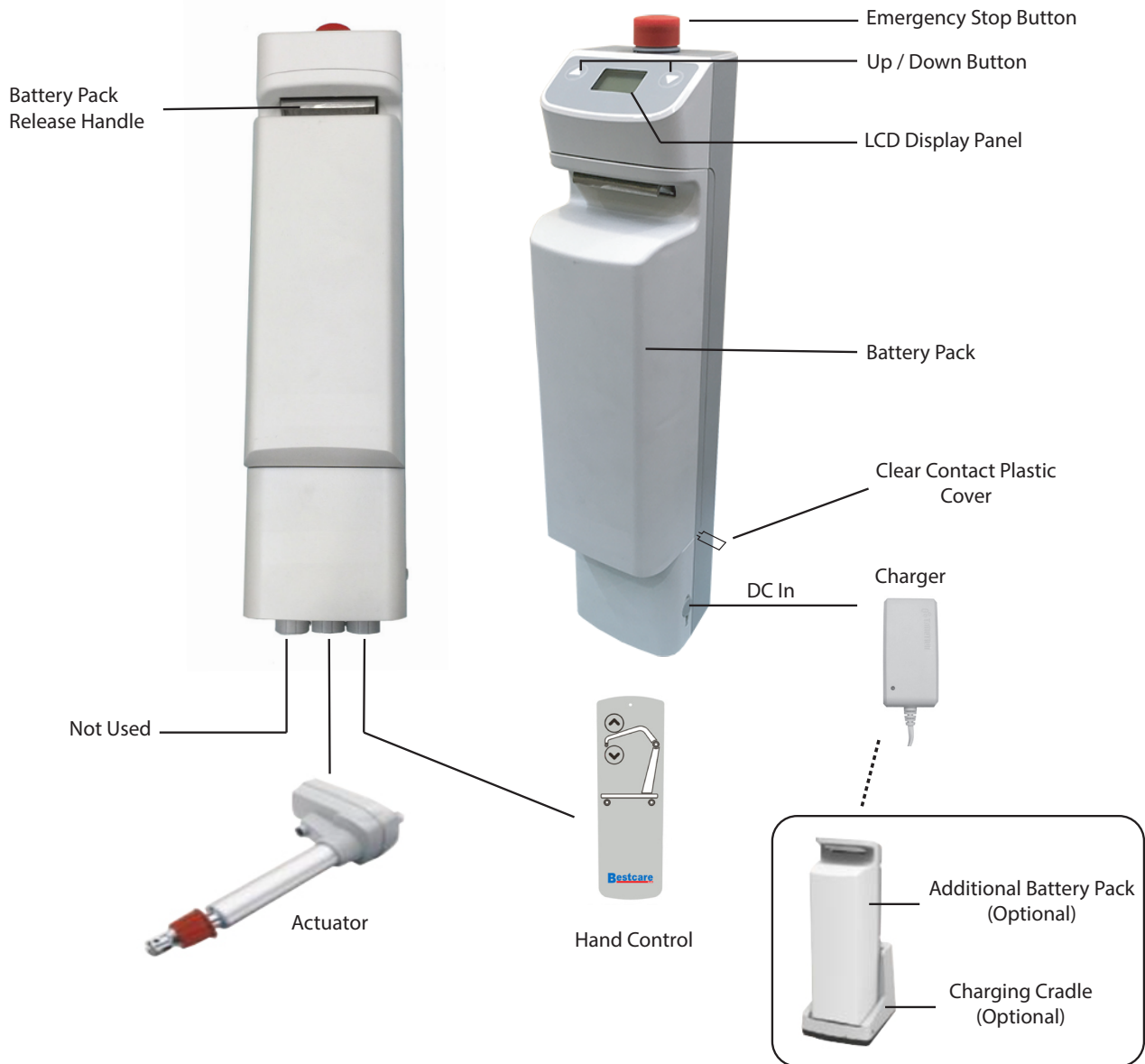
Step 5: Knee Pad



Step 6: Power Control Unit (For SA182 and SA228 Only)



Power Control Unit Overview



1. Connect Actuator as shown above.
2. Connect Hand Control as shown above.
3. The battery should be charged daily to prolong the battery life.
4. Must remove the clear battery contacts plastic cover before use.
Remove the battery in order to remove the plastic cover.

WARNING!

- Contains a long charger cord that may cause strangulation if used improperly!
- Keep long charger cord out of walkway where it poses a tripping hazard!
- Have the charger port on the controller facing away from the wall for easy disconnection!
- When removing the battery, need to secure the battery with both hands as it can cause injury if dropped!

Operating Instructions



Double check all assemblies for tightness and read operating instructions carefully prior to use.

For optimum performance the lift should be transported and stored in following condition range:

- -25°C to +5°C (-13°F to 41°F), and
- +5°C to +35°C (41°F to 95°F) at a non-condensing relative humidity 0% to 90%
- +35°C to +70°C at a water vapor pressure up to 5 kPa

For optimum performance the lift should be operated in following condition range:

- at a temperature range of +5°C to +40°C (+41°F to +104°F)
- at a non-condensing relative humidity range of 15 % to 90 %, but not requiring a water vapor partial pressure greater than 5 kPa
- 70 kPa to 106 kPa atmospheric pressure

The lift will not have any potential electromagnetic or other interference with other devices.



PREPARATION BEFORE LIFTING

- Twist the RED EMERGENCY STOP BUTTON clockwise.
- Verify the Lifting and Lowering Functions by pressing either the UP or DOWN button on the hand control once.
- Position the base of the lift around or under the object.
- Widen the base and disengage the caster brakes.

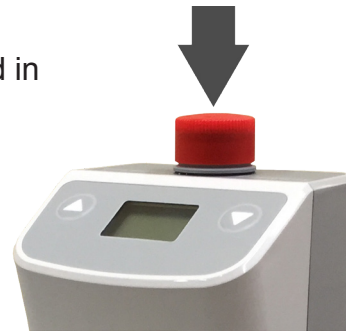


Do not attempt to transfer a patient without prior approval of the person's nurse. Also, do not transfer without having studied the instructions and performed several practices in operating the product. Together (with the patient's doctor, nurse, or medical attendant) select a sling that is both practical and comfortable. The sling selected should be one that serves the needs of the patient, while providing the patient with optimal safety. Never interfere with the lift, unless instructed by the attendant. Have a doctor, nurse, or medical attendant (experienced in the use of the BestStand) present during the first few times the lift is used to transfer a new user.

Release



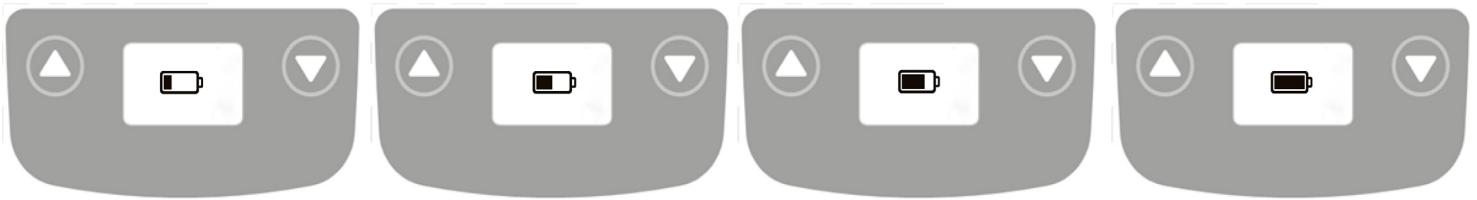
Pressed in



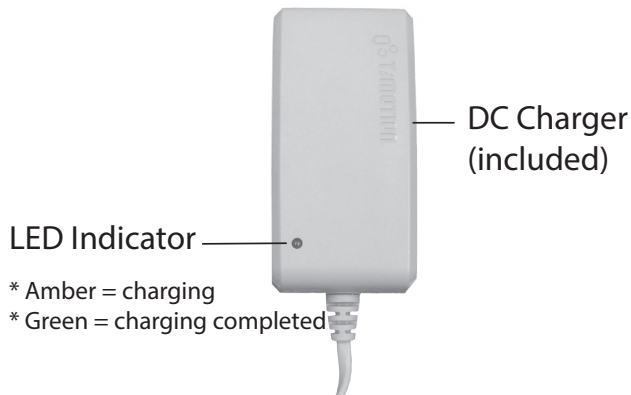
LCD Display Panel Signs

Turn the emergency stop button clock-wise, the LCD Display Panel will show one of the four signs below.

- The sign will display for 5 seconds.
- Then the lift will go into standby mode and the sign disappears.
- The lift is ready for use.



Charging: DC Charger or Charging Cradle



- LED Indicator
- * Amber = charging
- * Green = charging completed

Charging Cradle (Optional)



- LED Indicator
- * Green = power connected
- * Blank = power disconnected

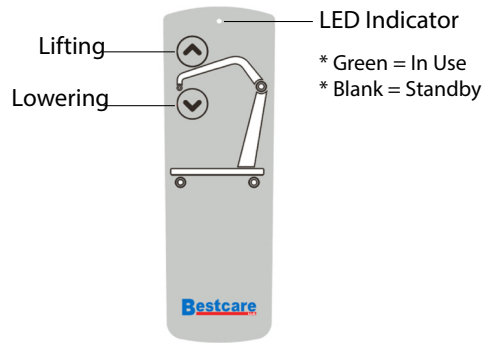
LCD Display Panel Signs - Charging

During charging, the LCD Display Panel will show one of the four signs below.

- The DC Charger must be connected.
- The emergency stop button must be released
- The battery will not be charged if the emergency stop button is pressed in.

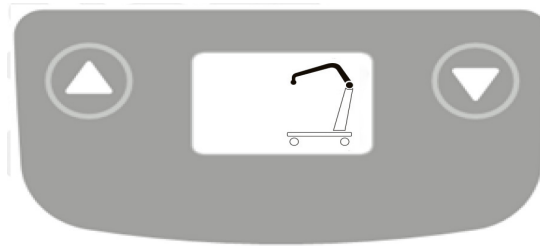


Operating Lift: Using Hand Control



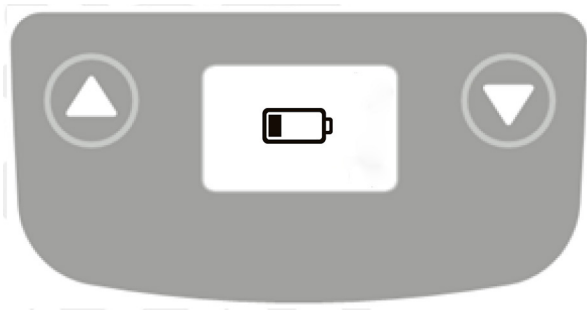
Button	Press Button	Release Button

Operating Lift: Using LCD Display Panel



Button	Press Button	Release Button

Warning! - Battery Low and Charging is Needed



If the battery needs to be charged, the LCD Display Panel will show a blinking low battery sign shown on the left either when the emergency stop button is released or when a button on the LCD Display Panel is pressed.

- Lift is still functioning.
- Buzzer will beep every 2 seconds.
- Battery needs to be charged immediately after use.

Warning! - Overloaded



During lifting if the lift is overloaded, the LCD Display Panel will show the sign on the left and lifting will be deactivated immediately.

- The buzzer will beep 3 times.
- Lowering the lift by pressing the DOWN button is still allowed.
- The emergency stop button must be pressed in and then release the button before further lifting.

Warning! - Charge Battery Immediately



If the battery is critically low, the LCD Display Panel will show the sign on the left either when the emergency stop button is released or when a button on the LCD Display Panel is pressed.

- Lift operation is deactivated.
- Battery needs to be charged immediately before further use.

Stand Assist Hydraulic Pump Unit Operating Instruction



To raise the boom:

- Turn the release tab counter-clockwise until it stops.
- Use the handle bar to pump the piston

To lower the boom:

⚠ The release tab controls the speed of the piston as it's lowering. This may cause serious injuries if the boom is lowered too fast.

- Slowly turn the release tab clockwise, stop once the boom is slowly lowering
- Turn the release tab counter-clockwise to stop the lowering.

Available slings compatible with Stand Assist Lift

Stand Assist Sling	
Sling Model	Sling Size
SL-SA662	M
SL-SA663	L
SL-SA664	XL

Stand Assist Buttock Strap	
Sling Model	Strap Size
SL-SA669	Standard
SL-SA669B	Bariatric

Sling Model	Sling Description
WP-SA400E-KB	Knee Belt

Stand Assist Toileting Sling	
Sling Model	Sling Size
SL-TP331	S
SL-TP332	M
SL-TP333	L
SL-TP334	XL



If the patient is pregnant or has skin conditions, consult with a doctor before use.



ALWAYS check the slings weight capacity is suitable for the patient.

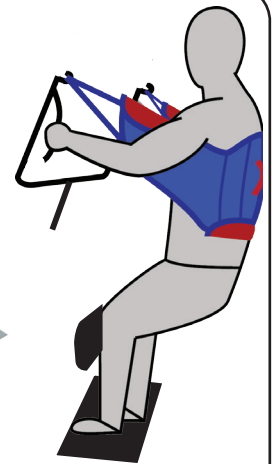
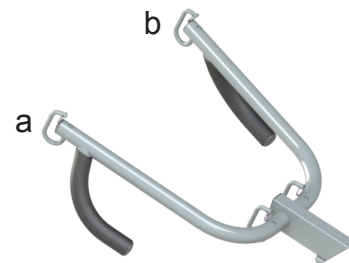
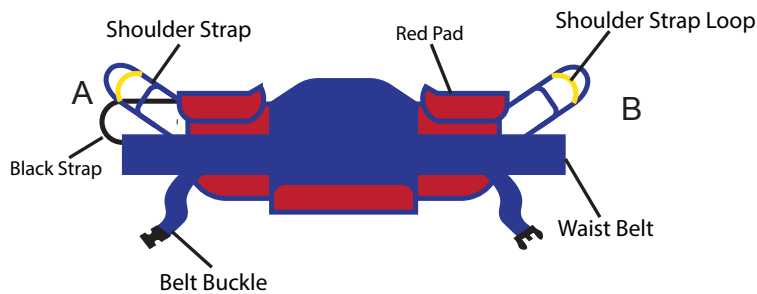


All slings are type BF applied parts

FITTING STAND ASSIST SLING

- Position the patient in a sitting position.
- Slide the sling down patient's back to lumbar position.
- Draw the shoulder straps to the front of the patient close to the chest.
- Draw the waist belt around patient's waist and press together to fasten.

Attach the shoulder straps to the hooks.

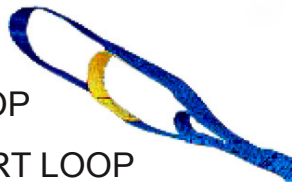


Sling Loop Options

SAFETY LOOP

CENTER LOOP

SHORT LOOP



SAFETY LOOP - DO NOT USE FOR LIFTING

**safety loop is used with the center loop or short loop.

CENTER LOOP - reclined position

SHORT LOOP - upright position

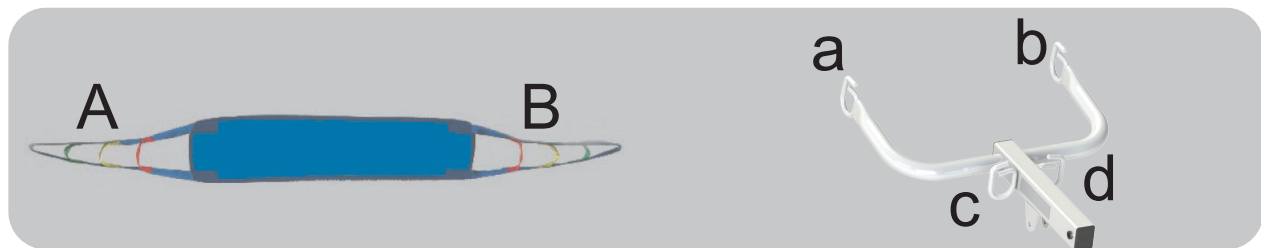
OR

For sling application

- Place sling behind seated patient with the 2 red pads under the arms.
- Cross the adjustable chest belt over and fasten it securely using the buckle (adjust for comfort).
- Cross the short black strap over and pull the left loop strap through the black strap.
- Hook the two loop straps to the hooks ("A" to "a" and "B" to "b") on the lift boom using the same hook and loop sequence on each side.
- The black strap should loop around both shoulder straps and will be straight across in front of patient to stabilize the sling during lifting.
- Have patient grasp the arms of the boom and tilt head back slightly.
- Make sure the patients feet are firmly on the platform and knees are touching the kneepads with kneecaps just above the padding.
- Use the lift to complete the lift and pivot transfer.

FITTING STAND ASSIST BUTTOCK STRAP

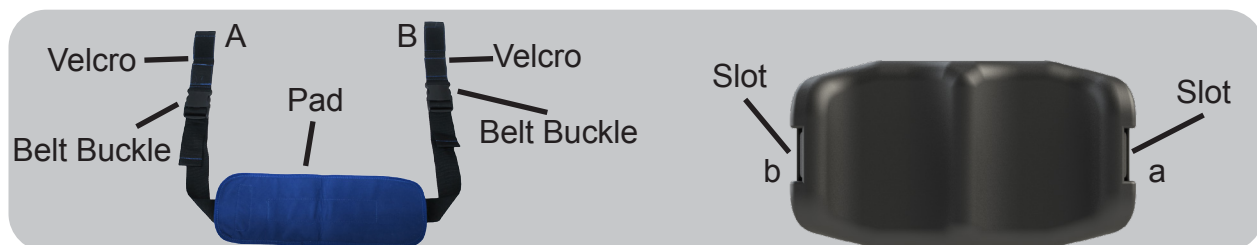
DIAGRAM 1



- Check sling weight capacity for the patient being lifted. Do not exceed maximum safe working load.
- Review the following procedures, and “FITTING STAND ASSIST SLING” procedures from previous page carefully prior to attempting lift. Call with any questions.
- Fit the Stand Assist sling onto the patient following “FITTING STAND ASSIST SLING” instructions
- Lift the patient up halfway using just the Stand Assist sling.
- Attach the sling strap “A” to the hook “c” on the boom of the Stand Assist lift as in Diagram 1. Bringing the other side around the back of the patient’s buttocks (to fit like a park swing) and attach to hook “d”.
- Position sling so it gives the greatest support to middle and lower part of the patient, and patient can lean on the sling for support while being lifted.

⚠ the Buttock strap **MUST** be used with the Stand Assist sling. These slings are designed to complement one another in providing the greatest comfort and security for the patient being transferred.

FITTING KNEE BELT



- Pull open to Velcro.
- Slide the Velcro through the slot. (“A” to “a” and “B” to “b”)
- Wrap the Velcro around the slot and press the Velcro together.
- Check to make sure the belt is strapped to the kneepad
- Repeat for the other side.
- Make sure the pad is facing the back of your lower legs.
- Adjust the strap on the belt buckles to fasten the knee belt and for comfort.

LIFT AND TRANSFER FROM BED

- Fit sling as described in “Fitting Stand Assist Sling”.
- Push lift towards patient. Open the base of the lift.
- Position patient’s feet on the footplate and knees against the knee pad.
- Attached the sling straps to the hooks.
- Have the patient’s hands holding the handles. For patients who cannot hold the handles, have them hold their arms around the chest.
- Press the “UP” button on the hand control.
- Before the patient’s body has lifted from the bed, stop and make sure the sling is secured and patient’s knees are against the knee pad.
- The patient should be comfortable with the pressure under the arms. If not, adjust the sling and try another loop option to release pressure.
- Press the “UP” button until the patient’s body has completely left the bed.
- Transfer to another object can be done at this position without the patient attending a full standing position.
- Close the base, and pull the lift away from the bed.
- Lower the patient to the object intended.
- To lift patient in a standing position, continue to lift until the patient’s knees are locked in a standing position.
- At the standing position, patient’s knees may move away from the knee pad.
- Close the base, and pull the lift away from bed.
- Lower the patient to the object intended.
- Reverse the above procedures when lowering the patient to the object intended.

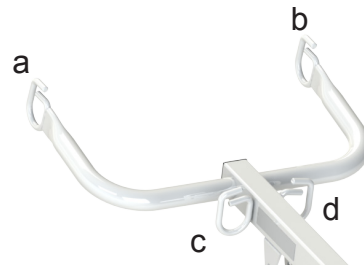
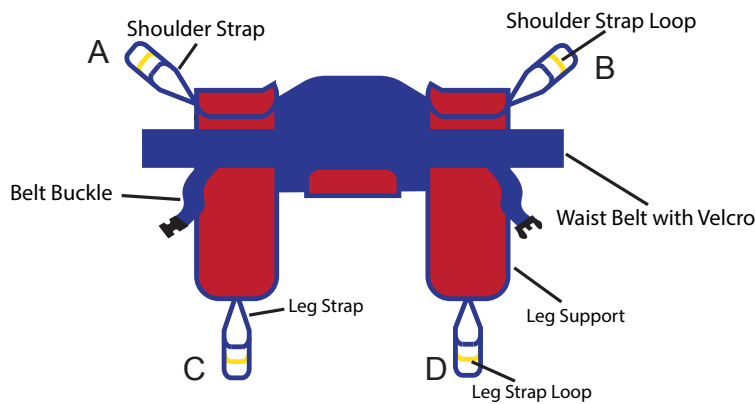
LIFTING HINTS

- Prior to beginning a lift, have the patient lean slightly back and look at a 45 degree angle to the ceiling; this help position the sling; this is recommended only at the start of lifting.
- Try the sling straps in various color positions to establish best fit.
- Always insure the same color straps on each side are attached to lift.
- Should patients have a larger girth in mid section or back side area try the optional buttock strap to help with initial lift leverage.
- Remember this lift is designed for pivot transfers and it is not necessary to lift to full upright position; as long as the patients body clears the bed or the chair and vice versa, you can move the lift and place patient in new position.

LIFT AND TRANSFER FROM COMMODE

BESTCARE TOILETING SLING

The Bestcare Toileting Sling is used with the BestStand® to lift up a patient in a sitting position; it is not meant for the patient to be standing! The Toileting Sling supports the client under the thighs and across the mid-back area



The Bestcare Toileting Sling is not suitable for patients who have involuntary movements or patients with limited postural control.

Fitting the Bestcare Toileting Sling

- Slide the sling down patient's back to lumbar position.
- Draw shoulder straps under the arms and around the chest into the front.
- Draw Velcro waist belt around waist and press together to fasten.
- **Secure the belt using the belt buckle (adjust for comfort).**
- Draw each leg support under the thigh.
- Crisscross leg straps by feeding one of the leg straps through the other strap.
- Attach shoulder straps loop to the hooks in upper ends of the boom. ("A" to "a" and "B" to "b")
- Attach the proper leg strap loop to the hooks in the lower end of the boom. ("C" to "c" and "D" to "d")

Maintenance & Inspection



- The Bestcare Lift requires a minimum of service to keep it in proper working order and to assure safe operation. It is important that certain basic checks be performed periodically by the operator of the lift or by a qualified bio-med or maintenance staff.
- The manufacturer recommends that the following components and operating points be scheduled for periodic inspection at intervals not greater than 6 months (≤ 6). The manufacturer also recommends visual inspection prior to use for the additional points below (V). The periodic inspection interval and the visual inspection points are listed below.
- Note – Bestcare assumes that the assembly instructions were performed properly and by a qualified individual. Bestcare also assumes that the operator of the lift has been properly trained, reviewed all the training material and knows how to operate the lift.
- With proper use and care, the expected lifetime of the lift is 10 years or 20,000 cycles.
- The expected lifetime of the electrical components are 3 years.
- Contact Bestcare for any recycling information

	V upon use	≤ 6 months
Boom and Spreader Bar		
Check connections between boom and spreader bar for proper connection with pin & key ring (for Patient Lifts)	X	X
Check connection between boom and mast for improper connection, looseness, or wear		X
Check spreader bar hook bolts for looseness or damage (for Patient Lifts)	X	X
Key rings are present on spreader bar hooks (on patient lifts) and on boom hooks (on stand assist lifts)	X	X
Mast		
Check mast for bending or deflection		X
Base and Foot Pedal		
Check all nuts and bolts for looseness		X
Check all casters and axle bolts for tightness		X
Check all casters for rotation and locking/unlocking (rear only)		X
Apply multi-purpose grease to bearings if needed		X
Check all weld joints for rust and cracks		X
Actuator and Control Box		
Confirm control box is securely affixed to the mast, and battery pack is secured in control box		X
Confirm actuator is secured between the boom and the mast with the pins and key rings	X	X
Confirm manual emergency lowering mechanism on actuator operates properly		X
Confirm red button on control box shuts off all power when pressed		X
Confirm all cables at the bottom of the control box are properly connected		X
Sling		
Inspect the body of the sling and all loops or connectors that could attach to the spreader bar for signs of wear, damage, or fraying	X	X
Lift Cleaning	As needed	As needed

Cleaning and Disinfecting

Cleaning of the lift

- Use pH-neutral detergents only.
- Remove the battery from the controller
- Clean lift surfaces, control box and hand control with a damp cloth using pH-neutral detergent.
- Remove debris and hair from the casters and make sure the casters can spin and swivel freely.



- Solvents or strong liquids or abrasive cleaning products will damage the surfaces of the lift.

Cleaning of the sling

- Check with sling label for washing condition.
- As for minor cleaning between patient uses, we recommend wipes with water-soluble soap or isopropyl alcohol.
- For slings with rigid supports, remove the plastic inserts before washing. (Look for an opening near the plastic inserts for removal)
- Machine wash warm or cold.
- Do not wash with other colors.
- Air dry or very low dryer heat.



- DO NOT USE BLEACH.
- DO NOT clean or wash disposable slings.
- REPLACE a sling when it shows signs of deterioration.

Deterioration of sling

- Contact Bestcare for “Guideline for Identifying Deteriorated Slings” if needed.

Disinfecting of the lift and sling

- Inspect slings prior to each use for contamination from previous use.
- Use isopropyl alcohol for any disinfection purpose.



- Wash a reusable sling for serious contamination
- Replace a disposable sling for any contamination
- Reusing a contaminated sling can cause serious bacterial infection

Troubleshooting Guide

The following list of encountered problems and solutions will assist you in determining what may be causing your patient lift not to function as designed. If you have a problem occurring which is not listed below please contact your dealer or technical support for help. Do not attempt to repair or replace components or parts on your lift as this may void your warranty or cause further problems that may result in patient injury. Stop using your lift immediately if it is not functioning correctly or any warning beeps are heard.

I need to re-charge my batteries often or they fail to hold a charge when I charge them.

- Replace the batteries or battery pack as they are at the end of their life cycle
- Batteries should be changed every 18-24 months depending on usage

The actuator will either go up or down but not both

- Replace your hand control as it is at the end of its life cycle
- Your control box may be malfunctioning

There is a grinding sound inside the actuator when lifting

- Replace your actuator as the internal gears are stripped

The actuator stops and starts while lifting or lowering

- Replace the batteries or battery pack as they are at the end of their life cycle

My lift will not operate even though it shows the batteries are charged

- Unplug the AC power cord from the control box as the lift will not work when the control box/charger is connected to AC Power.
- Check to make sure the hand control is properly inserted all the way into the control box port.
- Check to make sure the actuator plug is properly connected and inserted all the way into the control box
- Your hand control needs to be replaced as it is at the end of its life cycle

If there is a problem you could not solve, please contact your dealer for assistance.

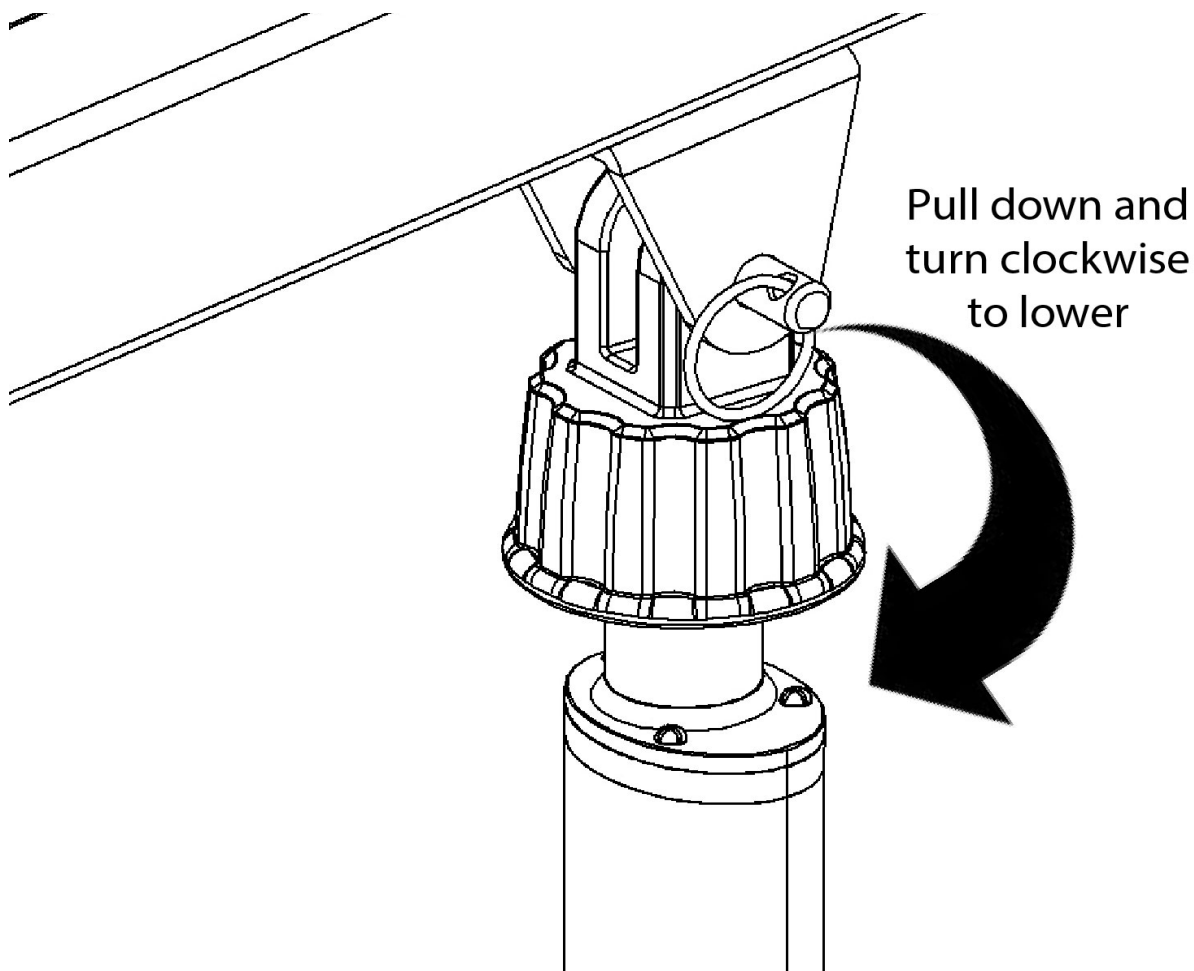


Emergency Lowering Mechanism

Contact your dealer immediately if standard troubleshooting techniques do not correct the failure. Do not attempt to lift until all failure and safety issues have been resolved.

In case of lift failure, please follow the procedures below to safely lower the user.

The Emergency Lowering Device is located at the top of the actuator shaft. It is intended for use if the actuator or electronics fail to operate while the patient is suspended in midair. The device consists of a plastic collar ring that should be first pulled down and turned clockwise continually until the patient has been lowered.



NOTE:
THE EMERGENCY LOWERING DEVICE IS INTENDED FOR USE DURING LIFT FAILURE. THIS DEVICE WILL ALLOW LOWERING OF PATIENTS ONLY. PLEASE CONTACT YOUR DEALER IMMEDIATELY IN CASE OF FAILURE.

WARRANTY POLICY

Bestcare LLC offers a limited warranty on all patient lifts, slings and accessories to be free of defects in workmanship and product performance. This warranty is extended only to the original purchaser/user and is therefore non transferable. Any warranty claims must be submitted through an authorized dealer or distributor that sold the original product with proper proof of sale and serial number supplied. Prior authorization from Bestcare LLC is required for any warranty replacement and we reserve the right to replace parts and or accessories in lieu of sending complete new patient lifts. Dealers and distributors will be billed for any advance warranty replacement items shipped and credited at 100% only when the defective items have been returned to Bestcare LLC and proven defective. Product returned without a Bestcare LLC return authorization will be refused. Returns received 30 days after the issuance of a return authorization will also be refused as the authorization will have expired. The final disposition of warranty claims will be subject to our inspection of the returned items. Bestcare LLC has the right to determine valid claims based on the individual circumstances of each claim. Warranty claims will be denied should evidence of the following be determined:

- Misuse of product , modification of product or failure to maintain as per the owner's manual
- Serial number removed or defaced
- Normal wear and tear

Bestcare LLC warrants the following products and components for the time period specified:

- Lift frames and spreader bar: 3 years
- Actuator: 2 years
- Parts including casters, control box, PCB, pendant, charger: 2 years
- Batteries: 1 year
- Weigh Scale: 2 years
- Spryte stand aid all components: 2 years
- Hydraulic pumps: 1 year
- Reusable slings: 6 months

Bestcare LLC Single Patient Slings are designed for limited use with one patient and may not be washed. Bestcare will replace any disposable slings found to have a manufacturing defect. Normal wear and tear will not be covered under warranty.

Bestcare

L.L.C.



Bestcare LLC
2920 Pacific Drive
Norcross, GA 30071

Ver 2021.09

www.bestcarellc.com | © 2021 Bestcare LLC