

OUR EXPERTISE TO HELP
GUARD AGAINST
INFECTIONS
IN THE OR



SOLUTIONS FOR SURGICAL SITE INFECTIONS

Halyard offers a comprehensive range of surgical solutions designed to help reduce surgical site infections ranging from Surgical Drapes & Gowns, Face Masks to Sterilisation Wrap.



DEPEND ON HALYARD EXPERTISE TO HELP GUARD AGAINST INFECTIONS IN THE OR

When you choose HALYARD* Surgical Gowns, Drapes & Packs, you can be assured that you are selecting products that use innovative fabric technology and design to provide excellent strike-through resistance along with comfort.

Halyard is committed to providing quality products that help reduce the toll infections take on patients, clinicians and facilities, assisting you in delivering optimal patient care.

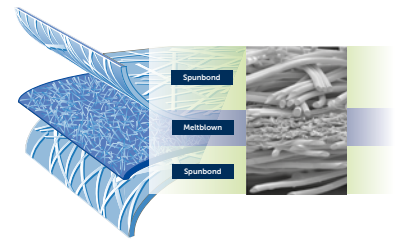
Because we are as serious as you are about preventing infection in the OR, we have expanded our surgical gown and drape portfolio into multiple performance levels, to bring you a wide choice of protection without compromise on quality.

The products referenced in this catalogue do not contain natural rubber latex, nor is this material intentionally added during the manufacturing process.

ADVANCED PROTECTION THROUGH SUPERIOR SMS

Halyard offers a extensive portfolio of Surgical Gowns, Drapes and Sterilisation Wrap based upon the HALYARD* SMS technology (Spunbond, Meltblown, Spunbond). SMS is made up of three layers of polypropylene:

- The Spunbond outer layers provide exceptional strength and durability
- The Meltblown middle layer provides an effective barrier to bacteria and liquids
- The material has a low lint level, helping reduce the risk of contamination in the OR



A WIDE PORTFOLIO OF GOWNS AND DRAPES DESIGNED TO OFFER THE RIGHT PROTECTION FOR THE DIFFERENT PROCEDURES

Cost-effective solution for standard performance & protection

- For short duration, low fluid-intensive procedures
- For low risk, day & general surgery (minor procedures)

ValueSelect* Standard Gowns

- Standard SMS fabric

HALYARD BASICS* Surgical Drapes & Packs

- Flexible, easy-to-use designs
- Reinforcement

Best-value solution for enhanced performance & protection

- For low-to-moderate fluid-intensive procedures
- For low-to-moderate risk, general surgery

Standard Surgical Gowns

- EVOLUTION* 4 Standard gowns
- ULTRA Standard gowns
- EVOLUTION* 4 & ULTRA enhanced SMS fabric

Standard Surgical Drapes & Packs

- Wide selection for hundreds of different procedures
- CONTROL* Plus Reinforcement

Cost-effective solution for high performance & protection

- For more fluid-intensive procedures
- For moderate-to-high risk, specialised surgery

Reinforced Surgical Gowns

- ULTRA fabric-reinforced gowns

Reinforced Surgical Drapes & Packs

- Including ORTHOARTS⁺ and CVARTS⁺ drapes
- CONTROL⁺ Plus Reinforcement

Solution for high performance & perfection

- For long duration, high fluid-intensive procedures
- For complex, high risk specialised surgery

Protective Surgical Gowns

- ValueSelect⁺ PE reinforced gowns
- AERO BLUE⁺ Gowns
- Cool Shield Core Technology, Aero Vent back
- Soft fabric S/F/SMS

HALYARD^{*} CPTs ARE PROFESSIONALLY TAILORED TO HELP FIT YOUR NEEDS¹

PRECISE

From fully customised trays to excellent value trays with functional equivalent components that helps meet your specifications. Based on your vision, our team can also help with tray standardisation.

PROFESSIONAL

Assembled by CPT professionals at specialised CPT facilities, ensuring logical tray set-up and aseptic presentation in the OR.

PREFERRED

HALYARD^{*} Drapes and Gowns deliver an excellent balance of properties to keep your staff and patients protected in the OR:

- Fluid resistance
- Flame resistance
- Lint and abrasion resistance



¹. Not available for the UK market.

THERE'S A HALYARD* STERILISATION WRAP FOR A VARIETY OF NEEDS

With HALYARD* Sequential, HALYARD* QUICK CHECK INTERLEAVED*, HALYARD ONE-STEP*, HALYARD* QUICK CHECK* and HALYARD* SMART-FOLD* Sterilisation Wrap, your surgical team can trust consistent sterility maintenance and aseptic presentation to help with your surgical instruments.

HALYARD* Sterilisation Wrap is a three-layer packaging material consisting of an excellent SMS fabric and treated with POWERGUARD* Technology, which helps protect your trays with a barrier exceeding 99.9%. The POWERGUARD* process infuses the wrap fabric with electric micro-fields surrounding the Meltblown fibres.

All HALYARD* Sterilisation Wrap features the patented "Daisy" bond pattern, so you will know at a glance that you've selected HALYARD* Sterilisation Wrap, the brand that delivers high quality and enhanced protection, time after time.

The benefits of HALYARD* Sterilisation Wrap:

- High strength
- Low-lint
- ISO 11607 compliant
- Effective barrier
- Easy aseptic presentation
- Available in multiple strengths from H100 to H500 (the higher the number, the stronger the packaging)
- HALYARD* Sequential Sterilisation Wrap provides an excellent bacterial barrier adapted to the sequential wrapping techniques and helps an aseptic presentation
- HALYARD* QUICK CHECK INTERLEAVED* Sterilisation Wrap: alternating white and blue sheets of POWERGUARD*-treated SMS for sequential wrapping, allowing you to detect easier if sterility has been breached and allowing you to colour code your instrument trays
- HALYARD ONE-STEP* Sterilisation Wrap (simultaneous) features two layers of wrap thermally bonded along the edges for single-step wrapping, which results in 49% time saving
- HALYARD* QUICK CHECK* Sterilisation Wrap features all the advantages of HALYARD ONE-STEP* plus the fact that it securely joins a blue wrap layer with a white layer, which makes it easier to detect if sterility has been breached
- HALYARD* SMART-FOLD* Sterilisation Wrap: the packaging that has been designed with heavier instrument baskets in mind, offering triple reinforcement at the corner

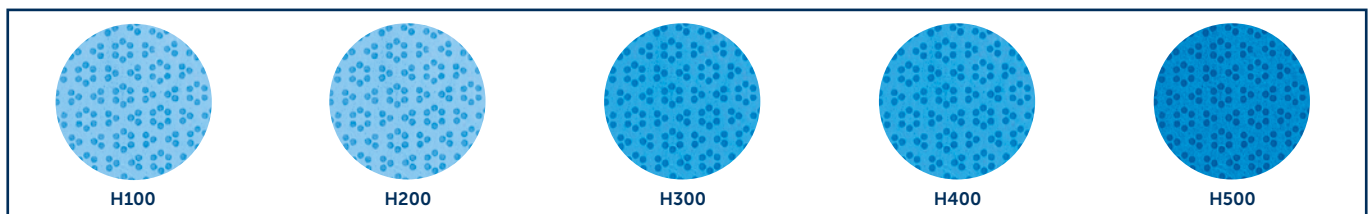


TABLE OF CONTENTS

GENERAL SURGERY	9
GENERAL SURGERY PACKS	9
GENERAL SURGERY DRAPES	22
FENESTRATED DRAPES	22
U-DRAPES	25
BAR DRAPES	26
BOTTOM DRAPES	27
SIDE DRAPES	28
TOP DRAPES	29
ABSORBENT UNDERLEG DRAPES	30
SINGLE DRAPES	30
UTILITY DRAPES	32
LAPAROTOMY DRAPES	34
BREAST/CHEST DRAPES	35
THYROID DRAPES	36
LAPAROSCOPY DRAPES	36
ORTHOPAEDICS	37
ORTHOPAEDIC PACKS	37
ORTHOPAEDIC DRAPES	48
ORTHOARTS* SPLIT / BAR DRAPES	49
IMPERVIOUS SPLIT DRAPES	49
EXTREMITY DRAPES	50
LOWER EXTREMITY DRAPES	50
UPPER EXTREMITY DRAPES	52
SHOULDER DRAPES	52
HAND DRAPES	53
HIP DRAPES	54
VERTICAL ISOLATION DRAPES	54
KNEE ARTHROSCOPY DRAPES	55
UNIVERSAL SPINE DRAPES	56
GYNAECOLOGY & OBSTETRICS	57
GYNAECOLOGY & OBSTETRICS PACKS	57
GYNAECOLOGY & OBSTETRICS DRAPES	63
GYNAECOLOGY/UROLOGY DRAPES	63
C-SECTION DRAPES	63
LITHOTOMY DRAPES	65

UROLOGY	66
UROLOGY PACKS	66
UROLOGY DRAPES	68
OPHTHALMOLOGY	69
OPHTHALMOLOGY PACKS	69
OPHTHALMOLOGY DRAPES	70
ENT	73
ENT PACKS	73
ENT DRAPES	75
ENT DRAPES	75
HEAD DRAPES	75
DENTAL DRAPES	75
NEUROLOGY	76
NEUROLOGY PACKS	76
CRANIOTOMY DRAPES	77
CARDIOVASCULAR & ANGIOGRAPHY	78
CARDIOVASCULAR & ANGIOGRAPHY PACKS	78
CARDIOVASCULAR & ANGIOGRAPHY DRAPES	81
CARDIOVASCULAR DRAPES	81
ANGIOGRAPHY DRAPES	83
CATHETER PLACEMENT	89
CATHETER PLACEMENT DRAPES	89
PAEDIATRICS	90
PAEDIATRICS PACKS	90
PAEDIATRICS DRAPES	94
FENESTRATED DRAPES	94
BREAST/CHEST DRAPES	95
ANGIOGRAPHY DRAPES	95
BABY BLANKETS	95
EQUIPMENT COVERS	96
EQUIPMENT COVERS	96
MAYO STAND COVERS	96
STOOL COVERS	96
BACK TABLE COVERS	97

ACCESSORIES	98
<hr/>	
ACCESSORIES	98
UNDER BUTTOCKS DRAPES	98
PERINEAL COVER DRAPES	99
IMPERVIOUS STOCKINETTES	99
ARMBOARD COVERS	100
LEGGINGS	100
TOWELS	100
TAPE STRIPS	101
SLEEVES	101
POUCHES	101
FOOT COVERS	102
MEDISHEETS	102
<hr/>	
VALUESELECT*	103
<hr/>	
VALUESELECT* SURGICAL GOWNS	103
<hr/>	
HALYARD BASICS*	104
<hr/>	
HALYARD BASICS* SURGICAL GOWNS	104
<hr/>	
EVOLUTION* 4	105
<hr/>	
EVOLUTION* 4 SURGICAL GOWNS	105
<hr/>	
ULTRA	107
<hr/>	
ULTRA SURGICAL GOWNS	107
<hr/>	
AERO BLUE*	109
<hr/>	
AERO BLUE* SURGICAL GOWNS	109
<hr/>	
AERO CHROME*	110
<hr/>	
AERO CHROME* SURGICAL GOWNS	110
<hr/>	
STERILISATION WRAP	111
<hr/>	
STERILISATION WRAP	111
HALYARD* SMART-FOLD* STERILISATION WRAP	111
HALYARD* QUICK CHECK* STERILISATION WRAP	111
HALYARD ONE-STEP* STERILISATION WRAP	114
HALYARD* QUICK CHECK INTERLEAVED* STERILISATION WRAP	116
HALYARD* SEQUENTIAL STERILISATION WRAP	118
<hr/>	
OTHER STERILISATION PRODUCTS	121
<hr/>	
OTHER STERILISATION PRODUCTS	121
INDEX BY CODE	122

GENERAL SURGERY

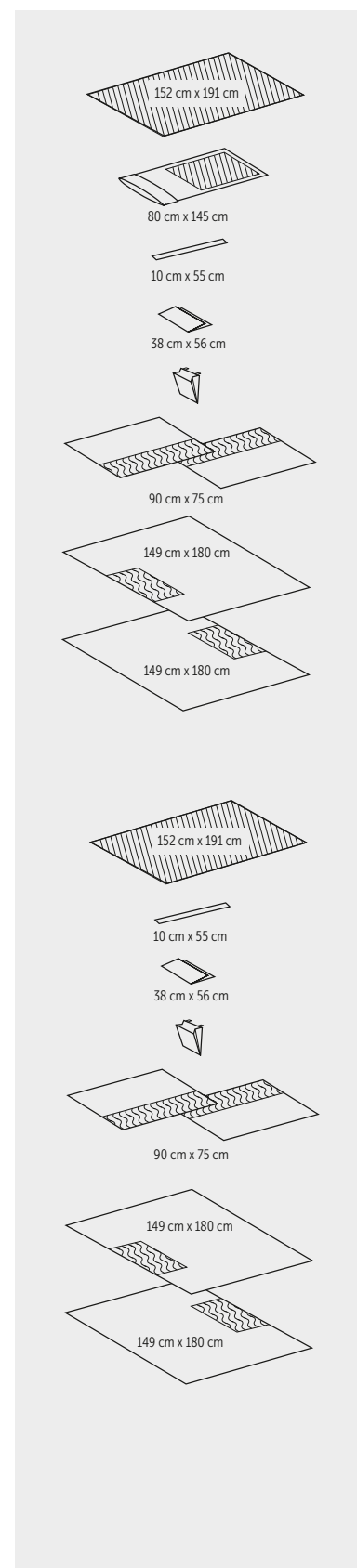
GENERAL SURGERY PACKS

UNIVERSAL PACK, SMALL

CODE	DESCRIPTION		ITEMS/CASE
88762	Universal Pack, Small, incl. Mayo Stand Cover		11
STERILE	NON-STERILE	CONTENTS	
-	-	1 Sterilisation Wrap 96 x 96 cm	
89603	79603	1 Mayo Stand Cover 80 x 145 cm	
42222	42428	1 Back Table Cover, Reinforced 152 x 191 cm	
89053	79053	1 Tape Strip 10 x 55 cm	
89701	79720	1 Absorbent Towel 38 x 56 cm	
-	-	1 Suture Bag	
-	-	2 Side Drapes 90 x 75 cm: • Positioning Tape, 2.5 cm width • CONTROL ⁺ Fabric Reinforcement	
-	79214	1 Bottom Drape 149 x 180 cm: • Positioning Tape, 2.5 cm width • CONTROL ⁺ Fabric Reinforcement	
-	79215	1 Top Drape 149 x 180 cm: • Positioning Tape, 2.5 cm width • CONTROL ⁺ Fabric Reinforcement	

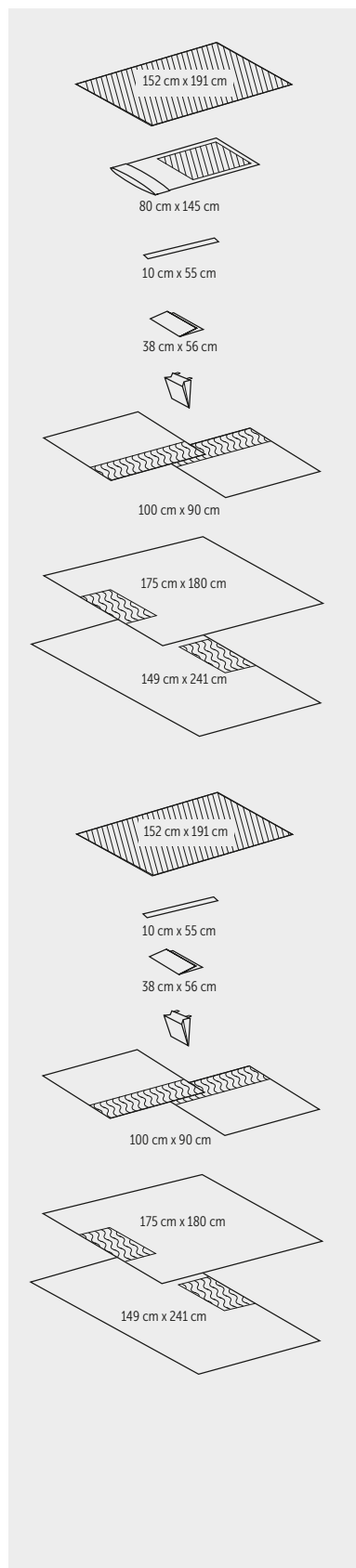
UNIVERSAL PACK, SMALL

CODE	DESCRIPTION		ITEMS/CASE
88763	Universal Pack, Small, excl. Mayo Stand Cover		11
STERILE	NON-STERILE	CONTENTS	
-	-	1 Sterilisation Wrap 96 x 96 cm	
42222	42428	1 Back Table Cover, Reinforced 152 x 191 cm	
89053	79053	1 Tape Strip 10 x 55 cm	
89701	79720	1 Absorbent Towel 38 x 56 cm	
-	-	1 Suture Bag	
-	-	2 Side Drapes 90 x 75 cm: • Positioning Tape, 2.5 cm width • CONTROL ⁺ Fabric Reinforcement	
-	79214	1 Bottom Drape 149 x 180 cm: • Positioning Tape, 2.5 cm width • CONTROL ⁺ Fabric Reinforcement	
-	79215	1 Top Drape 149 x 180 cm: • Positioning Tape, 2.5 cm width • CONTROL ⁺ Fabric Reinforcement	



All codes in **bold** indicate a sterile product.

GENERAL SURGERY PACKS



UNIVERSAL PACK, LARGE

CODE	DESCRIPTION		ITEMS/CASE
88764	Universal Pack, Large, incl. Mayo Stand Cover		10
	STERILE	NON-STERILE	CONTENTS
	-	-	1 Sterilisation Wrap 96 x 96 cm
	89603	79603	1 Mayo Stand Cover 80 x 145 cm
	42222	42428	1 Back Table Cover, Reinforced 152 x 191 cm
	89053	79053	1 Tape Strip 10 x 55 cm
	89701	79720	1 Absorbent Towel 38 x 56 cm
	-	-	1 Suture Bag
	-	79216	2 Side Drapes 100 x 90 cm: • Positioning Tape • CONTROL* Fabric Reinforcement
	-	79217	1 Bottom Drape 175 x 180 cm: • Positioning Tape • CONTROL* Fabric Reinforcement
	-	79218	1 Top Drape 149 x 241 cm: • Positioning Tape • CONTROL* Fabric Reinforcement

UNIVERSAL PACK, LARGE

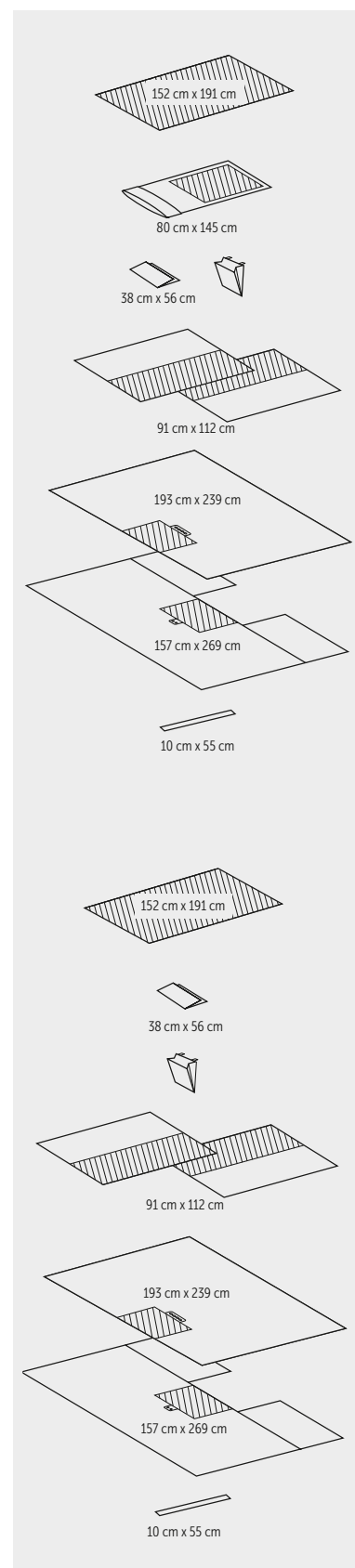
CODE	DESCRIPTION		ITEMS/CASE
88765	Universal Pack, Large, excl. Mayo Stand Cover		10
	STERILE	NON-STERILE	CONTENTS
	-	-	1 Sterilisation Wrap 96 x 96 cm
	42222	42428	1 Back Table Cover, Reinforced 152 x 191 cm
	89053	79053	1 Tape Strip 10 x 55 cm
	89701	79720	1 Absorbent Towel 38 x 56 cm
	-	-	1 Suture Bag
	-	79216	2 Side Drapes 100 x 90 cm: • Positioning Tape • CONTROL* Fabric Reinforcement
	-	79217	1 Bottom Drape 175 x 180 cm: • Positioning Tape • CONTROL* Fabric Reinforcement
	-	79218	1 Top Drape 149 x 241 cm: • Positioning Tape • CONTROL* Fabric Reinforcement

All codes in **bold** indicate a sterile product.

GENERAL SURGERY PACKS

UNIVERSAL PACK PLUS

CODE	DESCRIPTION		ITEMS/CASE
88760	Universal Pack Plus, incl. Mayo Stand Cover		8
STERILE	NON-STERILE	CONTENTS	
-	-	1 Sterilisation Wrap 89 x 89 cm	
42222	42428	1 Back Table Cover, Reinforced 152 x 191 cm	
89603	79603	1 Mayo Stand Cover 80 x 145 cm	
89053	79053	1 Tape Strip 10 x 55 cm	
89701	79720	1 Absorbent Towel 38 x 56 cm	
-	-	1 Suture Bag	
-	76365	2 Side Drapes 91 x 112 cm: <ul style="list-style-type: none"> • Positioning Tape • CONTROL⁺ Plus Fabric Reinforcement 	
-	78961	1 Bottom Drape 193 x 239 cm: <ul style="list-style-type: none"> • Positioning Tape • CONTROL⁺ Plus Fabric Reinforcement • Tube Holders 	
-	76363	1 Bar Drape 157 x 269 cm: <ul style="list-style-type: none"> • Armboard Covers • Positioning Tape • CONTROL⁺ Plus Fabric Reinforcement • Tube Holders 	

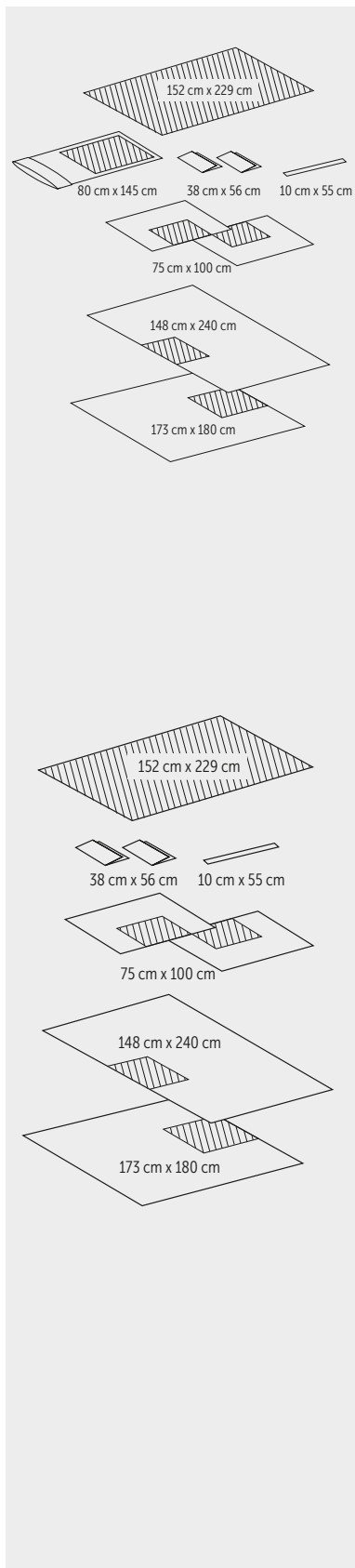


UNIVERSAL PACK PLUS

CODE	DESCRIPTION		ITEMS/CASE
88767	Universal Pack Plus, excl. Mayo Stand Cover		9
STERILE	NON-STERILE	CONTENTS	
-	-	1 Sterilisation Wrap 89 x 89 cm	
42222	42428	1 Back Table Cover, Reinforced 152 x 191 cm	
89053	79053	1 Tape Strip 10 x 55 cm	
89701	79720	1 Absorbent Towel 38 x 56 cm	
-	-	1 Suture Bag	
-	76365	2 Side Drapes 91 x 112 cm: <ul style="list-style-type: none"> • Positioning Tape • CONTROL⁺ Plus Fabric Reinforcement 	
-	78961	1 Bottom Drape 193 x 239 cm: <ul style="list-style-type: none"> • Positioning Tape • CONTROL⁺ Plus Fabric Reinforcement • Tube Holders 	
-	76363	1 Bar Drape 157 x 269 cm: <ul style="list-style-type: none"> • Armboard Covers • Positioning Tape • CONTROL⁺ Plus Fabric Reinforcement • Tube Holders 	

All codes in **bold** indicate a sterile product.

GENERAL SURGERY PACKS



UNIVERSAL PACK

CODE	DESCRIPTION		ITEMS/CASE
88100	Universal Pack, incl. Mayo Stand Cover		12
	STERILE	NON-STERILE	CONTENTS
	42224	42451	1 Back Table Cover, Reinforced 152 x 229 cm
	89603	79603	1 Mayo Stand Cover 80 x 145 cm
	89053	79053	1 Tape Strip 10 x 55 cm
	89701	79720	2 Absorbent Towels 38 x 56 cm
	-	79012	2 Side Drapes 75 x 100 cm: • Positioning Tape • CONTROL ⁺ Plus Fabric Reinforcement
	-	79011	1 Bottom Drape 173 x 180 cm: • Positioning Tape • CONTROL ⁺ Plus Fabric Reinforcement
	-	79010	1 Top Drape 148 x 240 cm: • Positioning Tape • CONTROL ⁺ Plus Fabric Reinforcement

UNIVERSAL PACK

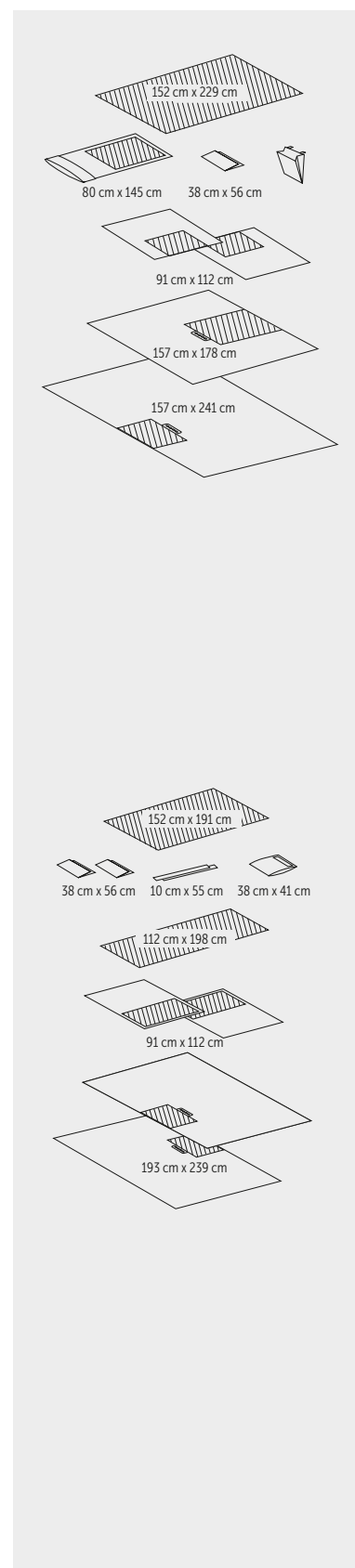
CODE	DESCRIPTION		ITEMS/CASE
88103	Universal Pack, excl. Mayo Stand Cover		12
	STERILE	NON-STERILE	CONTENTS
	-	-	1 Sterilisation Wrap 96 x 96 cm
	42224	42451	1 Back Table Cover, Reinforced 152 x 229 cm
	89053	79053	1 Tape Strip 10 x 55 cm
	89701	79720	2 Absorbent Towels 38 x 56 cm
	-	79012	2 Side Drapes 75 x 100 cm: • Positioning Tape • CONTROL ⁺ Plus Fabric Reinforcement
	-	79011	1 Bottom Drape 173 x 180 cm: • Positioning Tape • CONTROL ⁺ Plus Fabric Reinforcement
	-	79010	1 Top Drape 148 x 240 cm: • Positioning Tape • CONTROL ⁺ Plus Fabric Reinforcement

All codes in **bold** indicate a sterile product.

GENERAL SURGERY PACKS

UNIVERSAL PACK IV

CODE	DESCRIPTION	ITEMS/CASE
7772	Universal Pack IV, incl. Mayo Stand Cover	8
STERILE	NON-STERILE	CONTENTS
-	-	1 Sterilisation Wrap 89 x 89 cm
-	42451	1 Back Table Cover, Reinforced 152 x 229 cm
89603	79603	1 Mayo Stand Cover 80 x 145 cm
89701	79720	1 Absorbent Towel 38 x 56 cm
-	-	1 Suture Bag
-	76365	2 Side Drapes 91 x 112 cm: <ul style="list-style-type: none"> • Positioning Tape • CONTROL⁺ Plus Fabric Reinforcement
-	76366	1 Bottom Drape 157 x 178 cm: <ul style="list-style-type: none"> • Positioning Tape • CONTROL⁺ Plus Fabric Reinforcement • Tube Holders
-	76367	1 Top Drape 157 x 241 cm: <ul style="list-style-type: none"> • Positioning Tape • CONTROL⁺ Plus Fabric Reinforcement

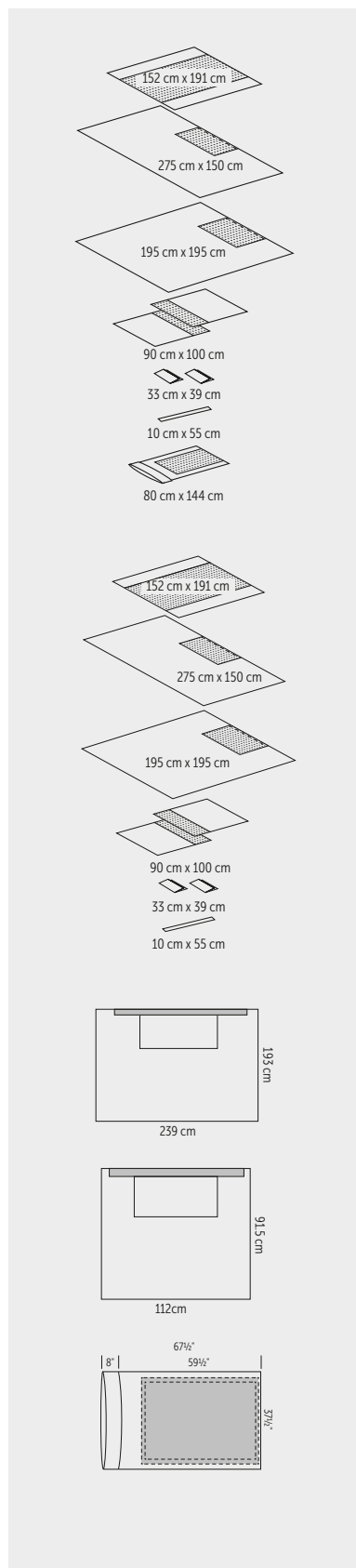


UNIVERSAL PACK XI

CODE	DESCRIPTION	ITEMS/CASE
77880	Universal Pack XI, excl. Mayo Stand Cover	5
STERILE	NON-STERILE	CONTENTS
-	-	1 Sterilisation Wrap 96 x 96 cm
42222	42428	1 Back Table Cover, Reinforced 152 x 191 cm
89701	79720	2 Absorbent Towels 38 x 56 cm
89053	79053	2 Tape Strips 10 x 55 cm
89945	79945	1 Diathermy Pouch 38 x 41 cm
-	42447	1 Back Table Cover, Reinforced 112 x 198 cm
-	76365	2 Side Drapes 91 x 112 cm: <ul style="list-style-type: none"> • Positioning Tape • CONTROL⁺ Plus Fabric Reinforcement
-	78961	1 Bottom Drape 193 x 239 cm: <ul style="list-style-type: none"> • Positioning Tape • CONTROL⁺ Plus Fabric Reinforcement • Tube Holders
-	-	1 Top Drape 193 x 239 cm: <ul style="list-style-type: none"> • Positioning Tape • CONTROL⁺ Plus Fabric Reinforcement • Tube Holders

All codes in **bold** indicate a sterile product.

GENERAL SURGERY PACKS



HALYARD BASICS* UNIVERSAL PACK I

CODE	DESCRIPTION			ITEMS/CASE
88900	HALYARD BASICS* Universal Pack I, incl. Mayo Stand Cover			5
	STERILE	NON-STERILE	CONTENTS	
88673		78669	1 Back Table Cover, Zone Reinforced 152 x 191 cm	
88672		-	1 Mayo Stand Cover, Zone Reinforced 80 x 144 cm	
-		79790	1 Top Drape 275 x 150 cm	
-		79787	1 Bottom Drape 195 x 195 cm	
-		-	2 Side Drapes 90 x 100 cm	
-		-	1 Tape Strip 10 x 55 cm	
-		-	2 Absorbent Towels 33 x 39 cm	

HALYARD BASICS* UNIVERSAL PACK II

CODE	DESCRIPTION			ITEMS/CASE
88901	HALYARD BASICS* Universal Pack II, excl. Mayo Stand Cover			5
	STERILE	NON-STERILE	CONTENTS	
88673		78669	1 Back Table Cover, Zone Reinforced 152 x 191 cm	
-		79790	1 Top Drape 275 x 150 cm	
-		79787	1 Bottom Drape 195 x 195 cm	
-		-	2 Side Drapes 90 x 100 cm	
-		-	1 Tape Strip 10 x 55 cm	
-		-	2 Absorbent Towels 33 x 39 cm	

UNIVERSAL PACK

CODE	DESCRIPTION			ITEMS/CASE
K887603	Universal Pack, incl. Mayo Stand Cover			54
	STERILE	NON-STERILE	CONTENTS	
-		-	1 Mayo Stand Cover, 80 x 145 cm	
-		-	1 Back Table Cover, 152 x 190 cm	
-		-	2 Side Drapes 91 x 115 cm <ul style="list-style-type: none"> • Positioning Tape • CONTROL* Fabric Reinforcement 40.5 x 61 cm 	
-		-	2 Surgical Drapes 193 x 239 cm <ul style="list-style-type: none"> • Positioning Tape • CONTROL* Fabric Reinforcement 61 x 81 cm 	

All codes in **bold** indicate a sterile product.

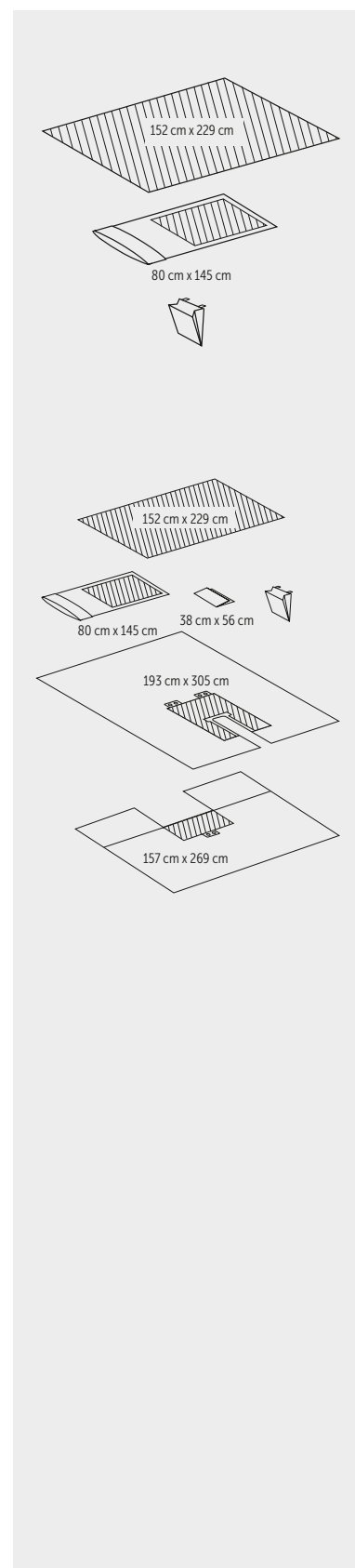
GENERAL SURGERY PACKS

BASIC PACK VIII

CODE	DESCRIPTION	ITEMS/CASE
88113	Basic Pack VIII	24
STERILE	NON-STERILE	CONTENTS
42224	42451	1 Back Table Cover, Reinforced 152 x 229 cm
89603	79603	1 Mayo Stand Cover 80 x 145 cm
-	-	1 Suture Bag

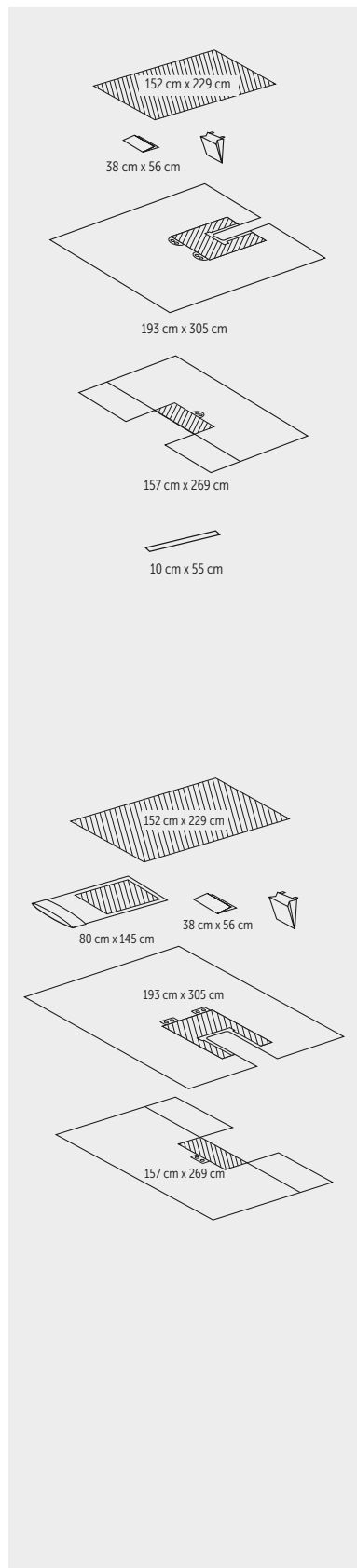
U-BAR* PACK VI

CODE	DESCRIPTION	ITEMS/CASE
77794	U-BAR* Pack VI	9
STERILE	NON-STERILE	CONTENTS
-	-	1 Sterilisation Wrap 96 x 96 cm
-	42451	1 Back Table Cover, Reinforced 152 x 229 cm
89603	79603	1 Mayo Stand Cover 80 x 145 cm
89701	79720	1 Absorbent Towel 38 x 56 cm
-	-	1 Suture Bag
-	76361	1 U-Drape 193 x 305 cm: <ul style="list-style-type: none"> • Split 10 x 101 cm • Positioning Tape • CONTROL* Plus Fabric Reinforcement • Tube Holders
-	76363	1 Bar Drape 157 x 269 cm: <ul style="list-style-type: none"> • Armboard Covers • Positioning Tape • CONTROL* Plus Fabric Reinforcement • Tube Holders



All codes in **bold** indicate a sterile product.

GENERAL SURGERY PACKS



U-BAR* PACK

CODE	DESCRIPTION		ITEMS/CASE
77853	U-BAR* Pack		10
	STERILE	NON-STERILE	CONTENTS
-	-	-	1 Sterilisation Wrap 89 x 89 cm
-	-	42451	1 Back Table Cover, Reinforced 152 x 229 cm
89701	-	79720	1 Absorbent Towel 38 x 56 cm
-	-	-	1 Suture Bag
-	-	76361	1 U-Drape 193 x 305 cm: <ul style="list-style-type: none"> • Split 10 x 101 cm • Positioning Tape • CONTROL* Plus Fabric Reinforcement • Tube Holders
-	-	76363	1 Bar Drape 157 x 269 cm: <ul style="list-style-type: none"> • Armboard Covers • Positioning Tape • CONTROL* Plus Fabric Reinforcement • Tube Holders
89053	-	79053	1 Tape Strip 10 x 55 cm

U-BAR* PACK VII

CODE	DESCRIPTION		ITEMS/CASE
77769	U-BAR* Pack VII		10
	STERILE	NON-STERILE	CONTENTS
-	-	-	1 Sterilisation Wrap 89 x 89 cm
-	-	42451	1 Back Table Cover, Reinforced 152 x 229 cm
89603	-	79603	1 Mayo Stand Cover 80 x 145 cm
89701	-	79720	1 Absorbent Towel 38 x 56 cm
-	-	-	1 Suture Bag
-	-	76364	1 Breast/Chest U-Drape 193 x 305 cm: <ul style="list-style-type: none"> • Split 30 x 76 cm • Positioning Tape • CONTROL* Plus Fabric Reinforcement • Tube Holders
-	-	76363	1 Bar Drape 157 x 269 cm: <ul style="list-style-type: none"> • Armboard Covers • Positioning Tape • CONTROL* Plus Fabric Reinforcement • Tube Holders

All codes in **bold** indicate a sterile product.

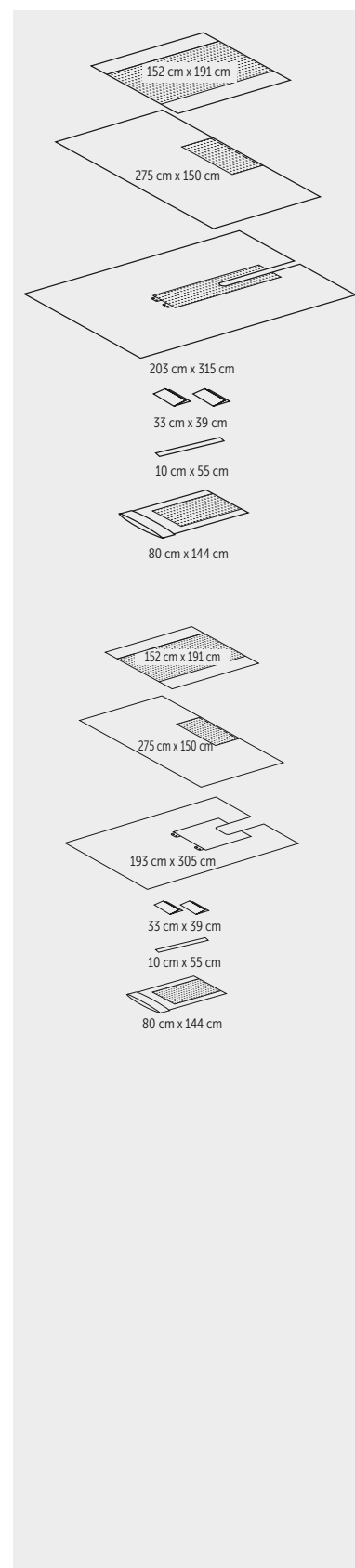
GENERAL SURGERY PACKS

HALYARD BASICS* U-BAR* PACK I

CODE	DESCRIPTION		ITEMS/CASE
88902	HALYARD BASICS* U-BAR* Pack I		10
STERILE	NON-STERILE	CONTENTS	
88673	78669	1 Back Table Cover, Zone Reinforced 152 x 191 cm	
88672	-	1 Mayo Stand Cover, Zone Reinforced 80 x 144 cm	
-	79790	1 Top Drape 275 x 150 cm	
-	79532	1 U-Drape 203 x 315 cm: • Split 10 x 112 cm	
-	-	1 Tape Strip 10 x 55 cm	
-	-	2 Absorbent Towels 33 x 39 cm	

HALYARD BASICS* U-BAR* PACK III

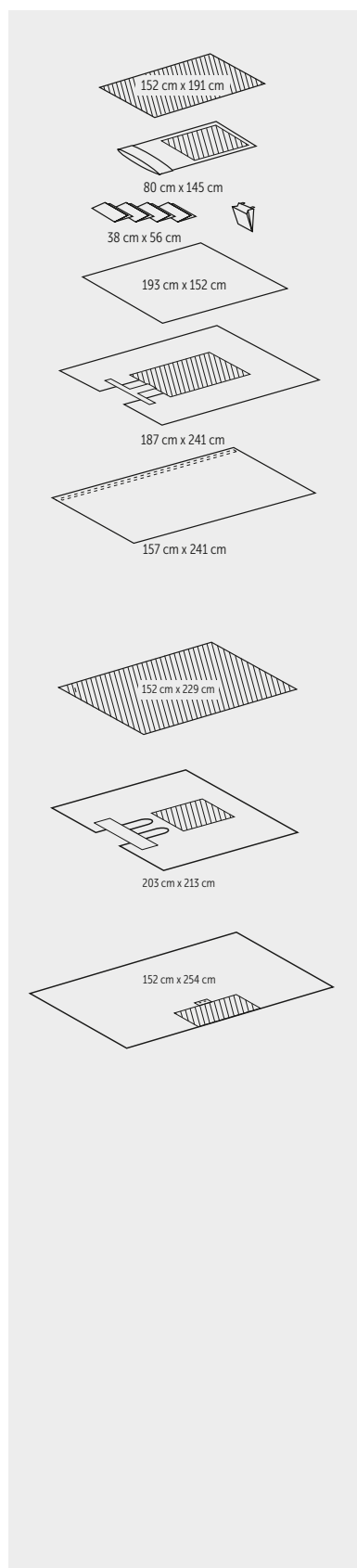
CODE	DESCRIPTION		ITEMS/CASE
88904	HALYARD BASICS* U-BAR* Pack III		10
STERILE	NON-STERILE	CONTENTS	
88673	78669	1 Back Table Cover, Zone Reinforced 152 x 191 cm	
88672	-	1 Mayo Stand Cover, Zone Reinforced 80 x 144 cm	
-	79790	1 Top Drape 275 x 150 cm	
-	-	1 Breast and Chest U-Drape 193 x 305 cm: • Split 30 x 76 cm	
-	-	1 Tape Strip 10 x 55 cm	
-	-	2 Absorbent Towels 33 x 39 cm	



All codes in **bold** indicate a sterile product.

GENERAL SURGERY PACKS

VEIN STRIPPING PACK



CODE	DESCRIPTION		ITEMS/CASE
59709	Vein Stripping Pack		5
	STERILE	NON-STERILE	CONTENTS
	42222	42428	1 Back Table Cover, Reinforced 152 x 191 cm
	89603	79603	1 Mayo Stand Cover 80 x 145 cm
	89701	79720	4 Absorbent Towels 38 x 56 cm
	-	-	1 Suture Bag
	89121	79122	1 Large Drape 193 x 152 cm
	-	76356	1 Perineal Drape 187 x 241 cm: <ul style="list-style-type: none"> • Split 44 x 95 cm • Positioning Tape • CONTROL⁺ Plus Fabric Reinforcement
	76291	76492	1 Drape with Tape 157 x 241 cm

BILATERAL VEIN STRIPPING PACK

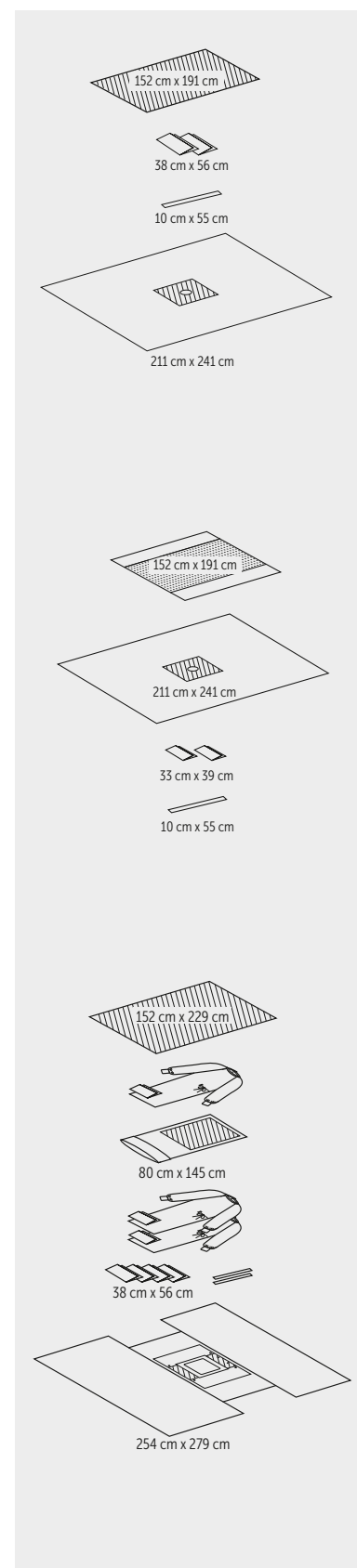
CODE	DESCRIPTION		ITEMS/CASE
77780	Bilateral Vein Stripping Pack		12
	STERILE	NON-STERILE	CONTENTS
	-	-	1 Sterilisation Wrap 89 x 89 cm
	-	42451	1 Back Table Cover, Reinforced 152 x 229 cm
	89381	79360	1 Ortho Bar Drape 152 x 254 cm <ul style="list-style-type: none"> • CONTROL⁺ Plus Fabric Reinforcement • Tube Holders
	-	79453	1 Perineal Underleg Drape 203 x 213 cm <ul style="list-style-type: none"> • CONTROL⁺ Plus Fabric Reinforcement • Impermeable PE-film • Impermeable Perineal Cover • Umbilical Cover • Positioning Tape

All codes in **bold** indicate a sterile product.

GENERAL SURGERY PACKS

SMALL PROCEDURE PACK II

CODE	DESCRIPTION		ITEMS/CASE
77717	Small Procedure Pack II		10
STERILE	NON-STERILE	CONTENTS	
-	-	1 Sterilisation Wrap 89 x 89 cm	
42222	42428	1 Back Table Cover, Reinforced 152 x 191 cm	
-	-	1 Fenestrated Drape 211 x 241 cm: <ul style="list-style-type: none"> • Circular Fenestration 12 cm, centered • CONTROL[®] Plus Fabric Reinforcement 	
89701	79720	2 Absorbent Towels 38 x 56 cm	
89053	79053	1 Tape Strip 10 x 55 cm	



HALYARD BASICS* SMALL PROCEDURE PACK II

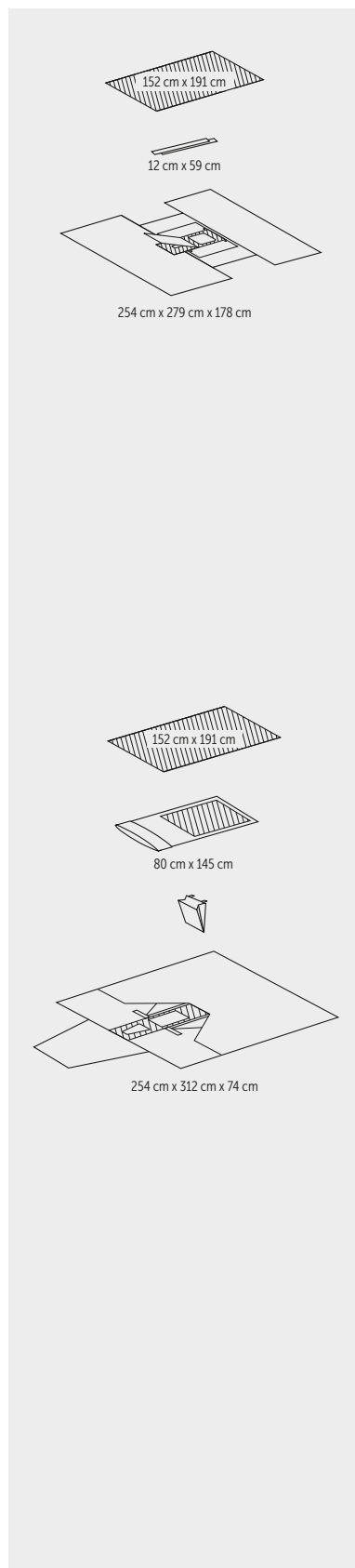
CODE	DESCRIPTION		ITEMS/CASE
89686	HALYARD BASICS* Small Procedure Pack II		10
STERILE	NON-STERILE	CONTENTS	
88673	78669	1 Back Table Cover, Zone Reinforced 152 x 191 cm	
-	79745	1 Fenestrated Drape 211 x 241 cm: <ul style="list-style-type: none"> • Circular Fenestration 12 cm, centered • Absorbent Reinforcement 	
-	-	1 Tape Strip 10 x 55 cm	
-	-	2 Absorbent Towels 33 x 39 cm	

LAPAROSCOPY PACK

CODE	DESCRIPTION		ITEMS/CASE
76216	Laparoscopy pack		6
STERILE	NON-STERILE	CONTENTS	
-	-	1 Sterilisation Wrap 63 x 63 cm	
42224	42451	1 Back Table Cover, Reinforced 152 x 229 cm	
89603	79603	1 Mayo Stand Cover 80 x 145 cm	
90013	79973	3 Surgical Gowns, Large, X-long	
89701	79720	7 Absorbent Towels 38 x 56 cm	
-	-	2 Iso-Seal Tape Strips 12 x 59 cm	
-	76374	1 Laparoscopy Drape with Attached Leggings 254 x 177 x 279 cm <ul style="list-style-type: none"> • 2 Pockets 27 x 71 cm • Abdominal Fenestration 30 x 33 cm • Positioning Tape 	

All codes in **bold** indicate a sterile product.

GENERAL SURGERY PACKS



UNIVERSAL LAPAROSCOPY / PELVISCOPY PACK WITH SIDE POCKETS

CODE	DESCRIPTION		ITEMS/CASE
76263	Universal Laparoscopy / Pelviscopy Pack		8
	STERILE	NON-STERILE	CONTENTS
-	-	-	1 Sterilisation Wrap 89 x 89 cm
42222	42428	-	1 Back Table Cover, Reinforced 152 x 191 cm
-	76377	-	1 Laparoscopy Drape with Attached Leggings 254 x 279 x 178 cm and side pouches 28 x 58 cm: <ul style="list-style-type: none"> • Abdominal Fenestration (30 x 33 cm) with 5 cm Tape Width • Perineal Fenestration (22 x 10 cm) with 2.5 cm Tape Width • CONTROL⁺ Plus Fabric Reinforcement • With Flap over both Fenestrations
-	-	-	2 Iso-Seal Tape Strips 12 x 59 cm

LAPAROSCOPY PELVISCOPY PACK V

CODE	DESCRIPTION		ITEMS/CASE
77792	Laparoscopy Pelviscopy Pack V		6
	STERILE	NON-STERILE	CONTENTS
-	-	-	1 Sterilisation Wrap 89 x 89 cm
42222	42428	-	1 Back Table Cover, Reinforced 152 x 191 cm
89603	79603	-	1 Mayo Stand Cover 80 x 145 cm
-	-	-	1 Suture Bag
-	76380	-	1 Laparoscopy Drape 254 x 312 x 74 cm, with Attached Leggings: <ul style="list-style-type: none"> • 23 x 28 cm Abdominal Fenestration • 7.6 x 18 cm Trapezoidal Perineal Fenestration with Flap • Positioning Tape on both Fenestrations • Tube Holders • CONTROL⁺ Fabric Reinforcement

All codes in **bold** indicate a sterile product.

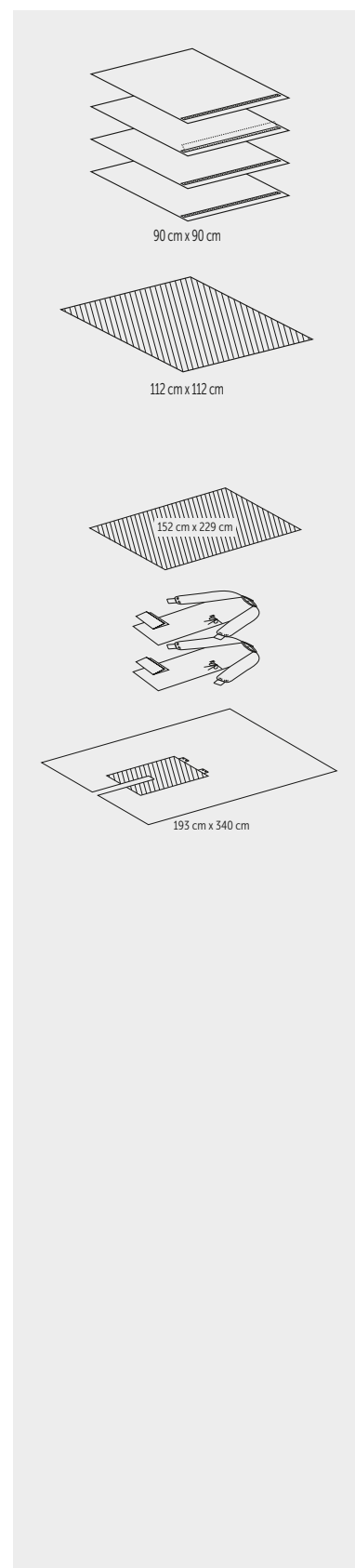
GENERAL SURGERY PACKS

SMALL SURGICAL DRAPE PACK

CODE	DESCRIPTION	ITEMS/CASE
76243	Small Surgical Drape Pack	25
STERILE	NON-STERILE	CONTENTS
-	-	1 Sterilisation Wrap 89 x 89 cm
-	42446	1 Back Table Cover, Reinforced 112 x 112 cm
89363	79293	4 Utility Drapes 90 x 90 cm

ABSCESS PACK

CODE	DESCRIPTION	ITEMS/CASE
77766	Abscess Pack	6
STERILE	NON-STERILE	CONTENTS
-	42451	1 Back Table Cover, Reinforced 152 x 229 cm
89701	79720	2 Absorbent Towels 38 x 56 cm
90043	79983	2 Surgical Gowns XL, X-long
-	-	1 split Drape 340 x 193 cm <ul style="list-style-type: none"> • CONTROL⁺ Plus Fabric Reinforcement • Tube Holders



All codes in **bold** indicate a sterile product.

GENERAL SURGERY DRAPES

FENESTRATED DRAPES

MINOR PROCEDURE FENESTRATED DRAPE, 76 X 76 CM

- Fenestration 3 x 5 cm
- CONTROL[®] Fabric Reinforcement 12 x 20 cm
- Positioning Tape

CODE	DESCRIPTION	ITEMS/ CASE	ITEMS/ DISPENSER	DISPENSERS/ CASE
89206	Minor Procedure Fenestrated Drape, Sterile	100	25 x 4	4
79206	Minor Procedure Fenestrated Drape Non-Sterile	250	-	-

MINOR PROCEDURE FENESTRATED DRAPE, 122 X 152 CM

- Fenestration (Diameter 7 cm)
- CONTROL[®] Fabric Reinforcement 31 x 31 cm
- Positioning Tape

CODE	DESCRIPTION	ITEMS/CASE
89207	Minor Procedure Fenestrated Drape, Sterile	40
79207	Minor Procedure Fenestrated Drape, Non-Sterile	60

MINOR PROCEDURE FENESTRATED DRAPE, 122 X 152 CM

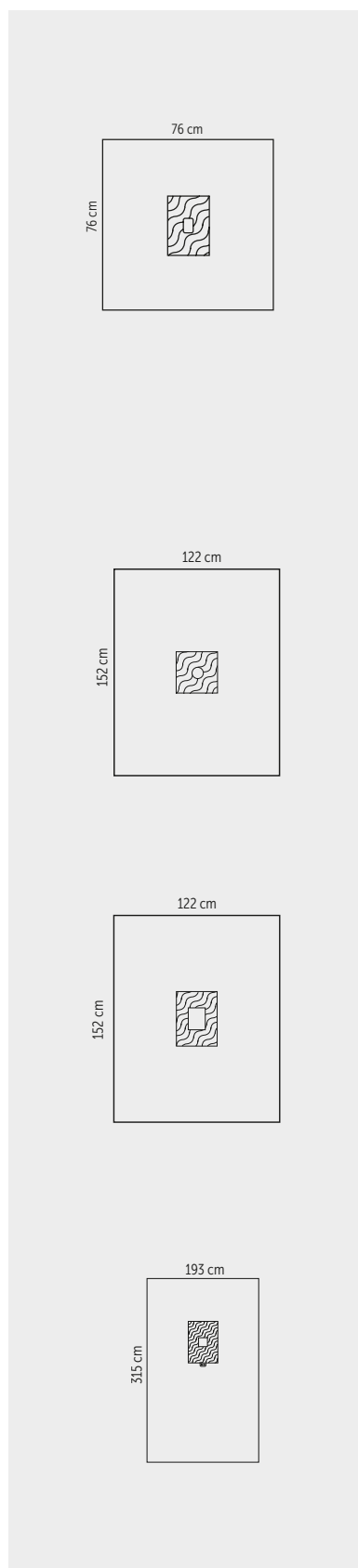
- Fenestration 12 x 15 cm
- CONTROL[®] Fabric Reinforcement 41 x 31 cm
- Positioning Tape

CODE	DESCRIPTION	ITEMS/CASE
89208	Minor Procedure Fenestrated Drape, Sterile	40
79208	Minor Procedure Fenestrated Drape, Non-Sterile	60

MINOR PROCEDURE FENESTRATED DRAPE, 193 X 315 CM

- Fenestration 15 x 15 cm
- CONTROL[®] Fabric Reinforcement 51 x 67 cm
- Positioning Tape

CODE	DESCRIPTION	ITEMS/CASE
89209	Minor Procedure Fenestrated Drape, Sterile	19
79209	Minor Procedure Fenestrated Drape, Non-Sterile	23



All codes in **bold** indicate a sterile product.

GENERAL SURGERY DRAPES

MINOR PROCEDURE FENESTRATED DRAPE, 119 X 152 CM

- SMS
- Fenestration 12 x 15 cm
- CONTROL* Plus Fabric Reinforcement 30 x 40 cm

CODE	DESCRIPTION	ITEMS/CASE
K792610	Minor Procedure Fenestrated Drape, Non-Sterile	60

HALYARD BASICS* EPIDURAL DRAPE WITH TAPE, 50 X 75 CM

- Oval Fenestration 8 x 10 cm, centered
- Spunbond Film
- Lateral Tape 50 x 2.5 cm
- Tape around Fenestration
- Positioning Tape

CODE	DESCRIPTION	ITEMS/CASE
14364	HALYARD BASICS* Epidural Drape with Tape, Sterile	40
14365	HALYARD BASICS* Epidural Drape with Tape, Non-Sterile	160

HALYARD BASICS* FENESTRATED DRAPE, 75 X 75 CM

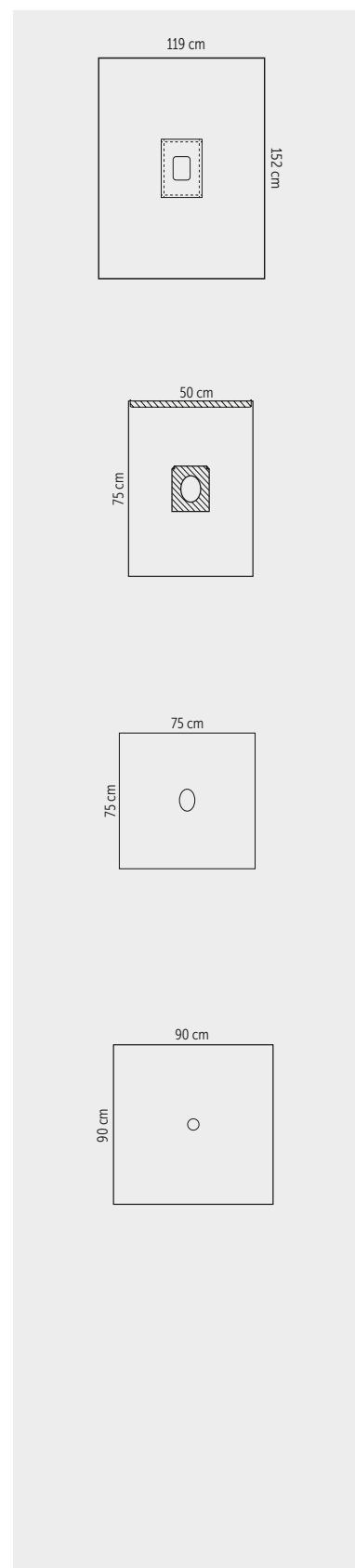
- Oval Fenestration 7 x 10 cm, centered
- Spunbond Film

CODE	DESCRIPTION	ITEMS/CASE
89638	HALYARD BASICS* Fenestrated Drape, Sterile	35

HALYARD BASICS* FENESTRATED DRAPE, 90 X 90 CM

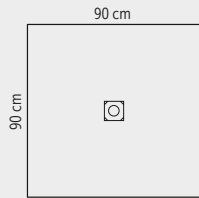
- Circular Fenestration 10 cm, centered
- Spunbond Film

CODE	DESCRIPTION	ITEMS/CASE
89670	HALYARD BASICS* Fenestrated Drape, Sterile	30
79692	HALYARD BASICS* Fenestrated Drape, Non-Sterile	120



All codes in **bold** indicate a sterile product.

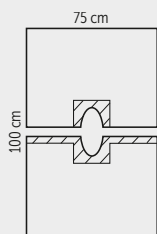
GENERAL SURGERY DRAPES



HALYARD BASICS* FENESTRATED DRAPE WITH TAPE, 90 X 90 CM

- Circular Fenestration 10 cm, centered
- Spunbond Film
- Positioning Tape

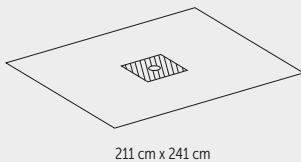
CODE	DESCRIPTION	ITEMS/CASE
89671	HALYARD BASICS* Fenestrated Drape with Tape, Sterile	30
79693	HALYARD BASICS* Fenestrated Drape with Tape, Non-Sterile	50



HALYARD BASICS* VARIABLE FENESTRATED DRAPE WITH TAPE, 75 X 100 CM

- Variable Fenestration: half circle on each drape
- Spunbond Film
- Positioning Tape

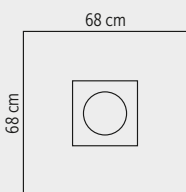
CODE	DESCRIPTION	ITEMS/CASE
89680	HALYARD BASICS* Variable Fenestrated Drape with Tape, Sterile	30
79784	HALYARD BASICS* Variable Fenestrated Drape with Tape, Non-Sterile	120



HALYARD BASICS* FENESTRATED DRAPE, 211 X 241 CM

- Circular Fenestration 12 cm, centered, with Positioning Tape
- SMS
- Absorbent Reinforcement

CODE	DESCRIPTION	ITEMS/CASE
79745	HALYARD BASICS* Fenestrated Drape, Non-Sterile	30



FENESTRATED DRAPE, 68 X 68 CM

- SMS
- Circular Fenestration 18 cm, centered
- CONTROL* Fabric Reinforcement 30 x 30 cm

CODE	DESCRIPTION	ITEMS/CASE
K792015	Fenestrated Drape, Non-Sterile	180

All codes in **bold** indicate a sterile product.

GENERAL SURGERY DRAPES

U-DRAPES

U-DRAPE, 193 X 305 CM

- Split 10 x 102 cm
- CONTROL* or CONTROL* Plus Fabric Reinforcement 122 x 61 cm
- Tube Holders
- Positioning Tape

CODE	DESCRIPTION	ITEMS/CASE
76361	U-Drape, CONTROL* Plus, Non-Sterile	15
13231	U-Drape, CONTROL*, Non-Sterile - handi-bin	190

U-DRAPE, 193 X 305 CM

- Split 10 x 102 cm
- CONTROL* Plus Fabric Reinforcement 122 x 61 cm
- Tube Holders
- Positioning Tape, width: 2 cm

CODE	DESCRIPTION	ITEMS/CASE
89301	U-Drape, CONTROL* Plus, Sterile	17

U-DRAPE, 200 X 150 CM

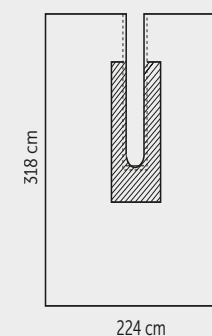
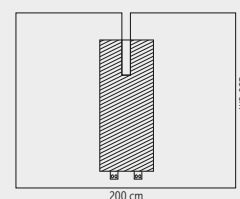
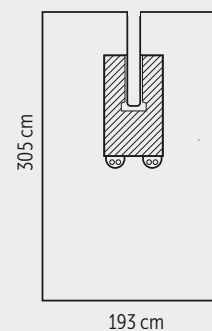
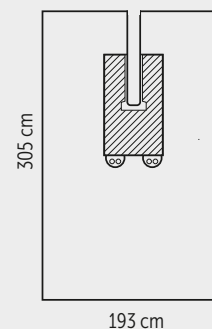
- Split 8 x 64 cm
- SMS
- CONTROL* Fabric Reinforcement

CODE	DESCRIPTION	ITEMS/CASE
K790790	U-Drape, Non-Sterile	22

LARGE ORTHO U-DRAPE, 224 X 318 CM

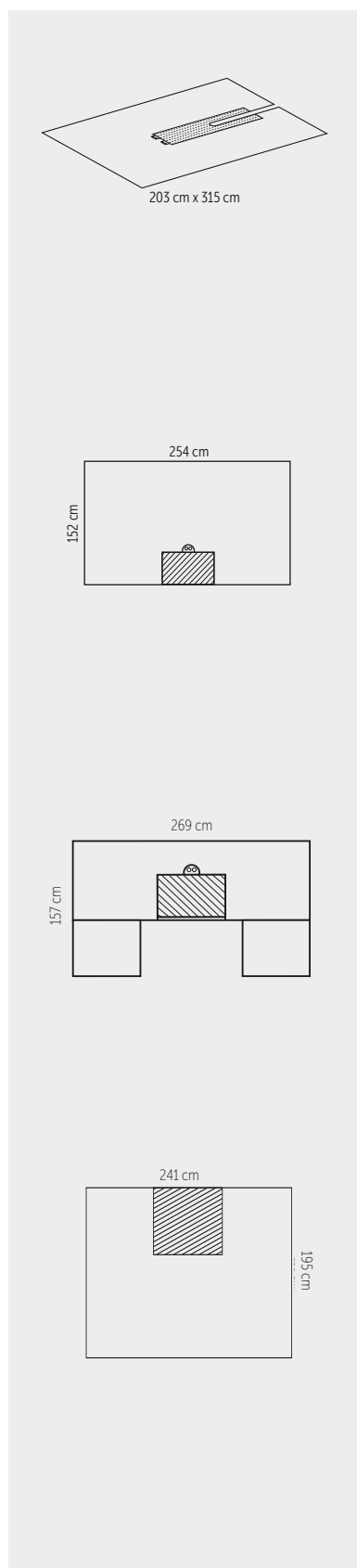
- Split 15 x 137 cm
- CONTROL* or CONTROL* Plus Fabric Reinforcement 81 x 170 cm
- Tube Holders
- Positioning Tape

CODE	DESCRIPTION	ITEMS/CASE
89311	Large Ortho U-Drape, CONTROL* Plus, Sterile	11
79363	Large Ortho U-Drape, CONTROL* Plus, Non-Sterile	15
K793630	Large Ortho U-Drape, CONTROL*, Non-Sterile	22
76368	Large Ortho U-Drape, CONTROL* Plus, Non-Sterile	15



All codes in **bold** indicate a sterile product.

GENERAL SURGERY DRAPES



HALYARD BASICS* U-DRAPE, 203 X 315 CM

- Split 10 x 112 cm
- SMS
- Absorbent Reinforcement

CODE	DESCRIPTION	ITEMS/CASE
79532	HALYARD BASICS* U-Drape, Non-Sterile	30

BAR DRAPES

ORTHO BAR DRAPE, 254 X 152 CM

- CONTROL* Plus Fabric Reinforcement 41 x 61 cm
- Tube Holders
- Positioning Tape

CODE	DESCRIPTION	ITEMS/CASE
89381	Ortho Bar Drape, Sterile	18
79360	Ortho Bar Drape, Non-Sterile	28

BAR DRAPE WITH ARMBOARD COVERS, 269 X 157 CM

- Armboard Covers
- CONTROL* or CONTROL* Plus Fabric Reinforcement 41 x 61 cm
- Tube Holders
- Positioning Tape

CODE	DESCRIPTION	ITEMS/CASE
79375	Bar Drape, CONTROL*, Non-Sterile	28
76363	Bar Drape, CONTROL* Plus, Non-Sterile	26

SURGICAL DRAPE, 195 X 241 CM

- SMS
- CONTROL* Fabric Reinforcement
- Positioning Tape

CODE	DESCRIPTION	ITEMS/CASE
K791412	Surgical Drape, Non-Sterile	50

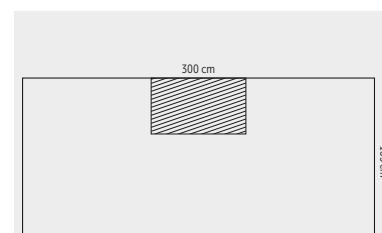
All codes in **bold** indicate a sterile product.

GENERAL SURGERY DRAPES

BAR DRAPE, 183 X 300 CM

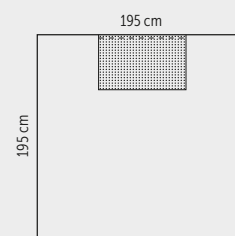
- SMS
- CONTROL* Fabric Reinforcement 20 x 150 cm
- Positioning Tape

CODE	DESCRIPTION	ITEMS/CASE
K793703	Bar Drape, Non-Sterile	40

**BOTTOM DRAPES****HALYARD BASICS* BOTTOM DRAPE, 195 X 195 CM**

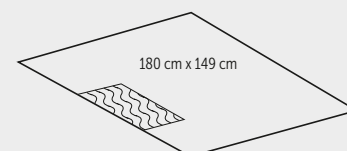
- SMS

CODE	DESCRIPTION	ITEMS/CASE
79787	HALYARD BASICS* Bottom Drape, Non-Sterile	35

**BOTTOM DRAPE, 180 X 149 CM**

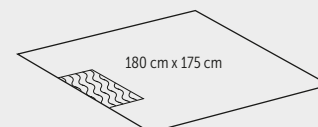
- CONTROL* Fabric Reinforcement 30 x 89 cm
- Positioning Tape

CODE	DESCRIPTION	ITEMS/CASE
79214	Bottom Drape, Non-Sterile	40

**BOTTOM DRAPE, 180 X 175 CM**

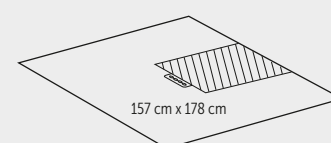
- CONTROL* Fabric Reinforcement 30 x 89 cm
- Positioning Tape

CODE	DESCRIPTION	ITEMS/CASE
79217	Bottom Drape, Non-Sterile	35

**BOTTOM DRAPE, 157 X 178 CM**

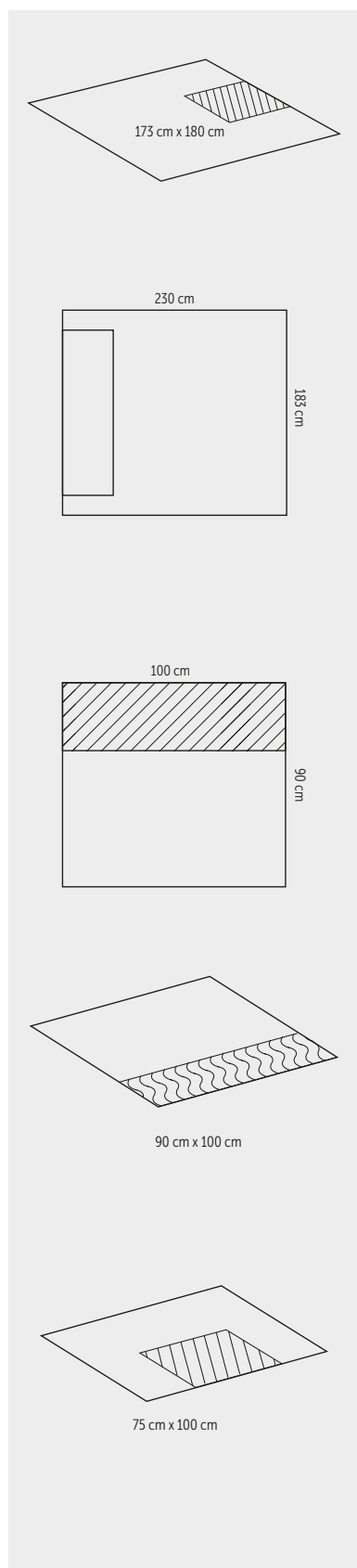
- CONTROL* Plus Fabric Reinforcement 81 x 61 cm
- Tube Holders
- Positioning Tape

CODE	DESCRIPTION	ITEMS/CASE
76366	Bottom Drape, Non-Sterile	22



All codes in **bold** indicate a sterile product.

GENERAL SURGERY DRAPES



BOTTOM DRAPE, 173 X 180 CM

- CONTROL⁺ Plus Fabric Reinforcement 63 x 61 cm
- Positioning Tape

CODE	DESCRIPTION	ITEMS/CASE
79011	Bottom Drape, Non-Sterile	50

BOTTOM DRAPE, 183 X 230 CM

- CONTROL⁺ Fabric Reinforcement 10.6 x 50.8 cm
- Positioning Tape

CODE	DESCRIPTION	ITEMS/CASE
K795610	Bottom Drape, Non-Sterile	50

SIDE DRAPES

HALYARD BASICS⁺ SIDE DRAPE, 90 X 100 CM

- SMS
- Reinforcement 30 x 99 cm

CODE	DESCRIPTION	ITEMS/CASE
79789	HALYARD BASICS ⁺ Side Drape, Non-Sterile	40

SIDE DRAPE, 90 X 100 CM

- CONTROL⁺ Fabric Reinforcement 99 x 31 cm
- Positioning Tape

CODE	DESCRIPTION	ITEMS/CASE
79216	Side Drape, Non-Sterile	70

SIDE DRAPE, 75 X 100 CM

- CONTROL⁺ Plus Fabric Reinforcement 41 x 51 cm
- Positioning Tape

CODE	DESCRIPTION	ITEMS/CASE
79012	Side Drape, Non-Sterile	150

All codes in **bold** indicate a sterile product.

GENERAL SURGERY DRAPES

SIDE DRAPE, 76 X 91 CM

- SMS
- CONTROL* Fabric Reinforcement
- Positioning Tape 2.5 cm

CODE	DESCRIPTION	ITEMS/CASE
K792130	Side Drape, Non-Sterile	200

SIDE DRAPE, 91 X 112 CM

- CONTROL* Plus Fabric Reinforcement 46 x 112 cm
- Positioning Tape

CODE	DESCRIPTION	ITEMS/CASE
76365	Side Drape, Non-Sterile	54

SIDE DRAPE WITH ADHESIVE, 120 X 100 CM

- SMS
- adhesive size 2,5cm x 120 cm

CODE	DESCRIPTION	ITEMS/CASE
K795805	Side Drape with Adhesive	70

TOP DRAPES

TOP DRAPE, 149 X 241 CM

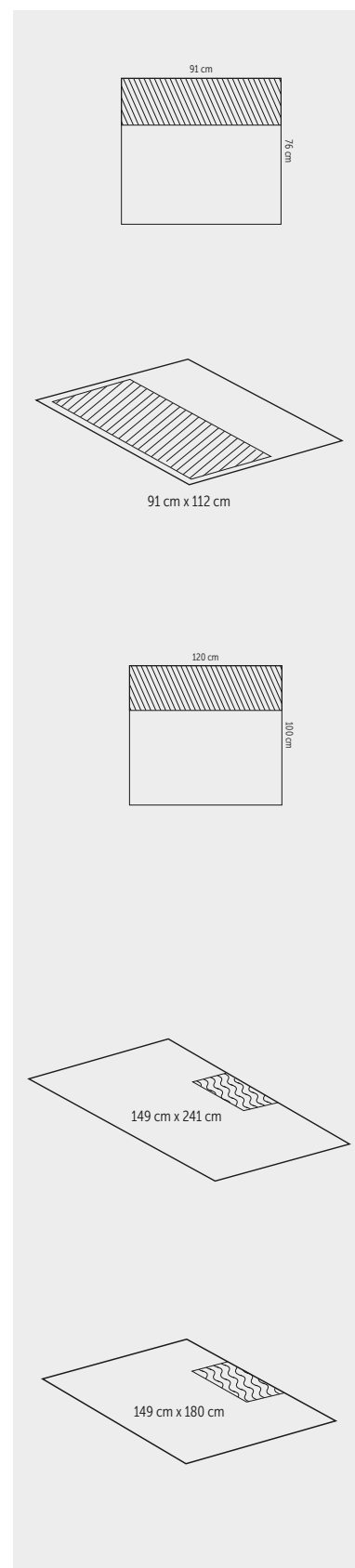
- CONTROL* Fabric Reinforcement
- Positioning Tape

CODE	DESCRIPTION	ITEMS/CASE
79218	Top Drape, Non-Sterile	35

TOP DRAPE, 149 X 180 CM

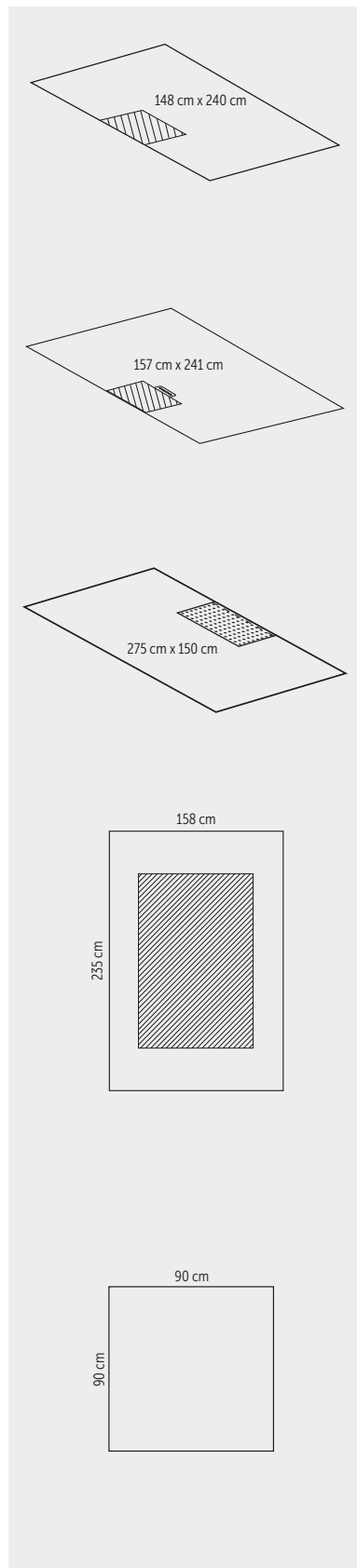
- CONTROL* Fabric Reinforcement 30 x 89 cm
- Positioning Tape

CODE	DESCRIPTION	ITEMS/CASE
79215	Top Drape, Non-Sterile	40



All codes in **bold** indicate a sterile product.

GENERAL SURGERY DRAPES



TOP DRAPE, 148 X 240 CM

- CONTROL* Plus Fabric Reinforcement 42 x 61 cm
- Positioning Tape

CODE	DESCRIPTION	ITEMS/CASE
79010	Top Drape, Non-Sterile	50

TOP DRAPE, 157 X 241 CM

- CONTROL* Plus Fabric Reinforcement 30 x 61 cm
- Positioning Tape

CODE	DESCRIPTION	ITEMS/CASE
76367	Top Drape, Non-Sterile	33

HALYARD BASICS* TOP DRAPE, 275 X 150 CM

- SMS

CODE	DESCRIPTION	ITEMS/CASE
79790	HALYARD BASICS* Top Drape, Non-Sterile	35

ABSORBENT UNDERLEG DRAPES

POLY DRAPE, 158 X 235 CM

- CONTROL* Plus Fabric Reinforcement 157 x 104 cm

CODE	DESCRIPTION	ITEMS/CASE
59705	Poly Drape, Sterile	14

SINGLE DRAPES

DRAPE, 90 X 90 CM

- SMS

CODE	DESCRIPTION	ITEMS/CASE
89353	Drape, Sterile	120
76323	Drape, Non-Sterile	200

All codes in **bold** indicate a sterile product.

GENERAL SURGERY DRAPES

HALYARD BASICS* DRAPE, 90 X 90 CM

- Spunbond Film

CODE	DESCRIPTION	ITEMS/CASE
89678	HALYARD BASICS* Drape, Sterile	30
79782	HALYARD BASICS* Drape, Non-Sterile	90

HALF DRAPE, 152 X 112 CM

- SMS

CODE	DESCRIPTION	ITEMS/CASE
89101	Half Drape, Sterile	54
79102	Half Drape, Non-Sterile	80

HALYARD BASICS* HALF DRAPE, 112 X 150 CM

- Spunbond Film

CODE	DESCRIPTION	ITEMS/CASE
89672	HALYARD BASICS* Half Drape, Sterile	40
79694	HALYARD BASICS* Half Drape, Non-Sterile	50

LARGE DRAPE, 152 X 193 CM

- SMS

CODE	DESCRIPTION	ITEMS/CASE
89121	Large Drape, Sterile	36
79122	Large Drape, Non-Sterile	48

HALYARD BASICS* LARGE DRAPE, 150 X 193 CM

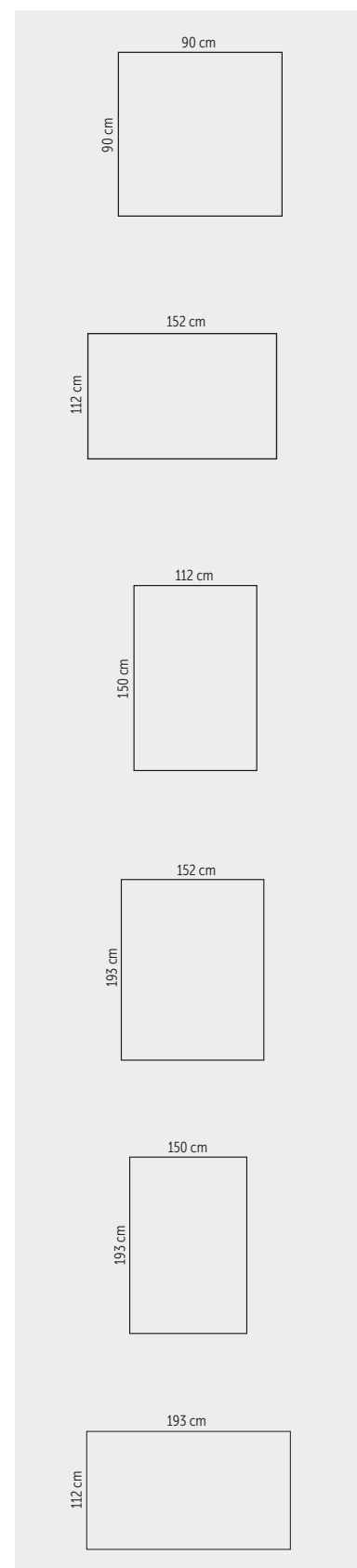
- Spunbond Film

CODE	DESCRIPTION	ITEMS/CASE
89674	HALYARD BASICS* Large Drape, Sterile	30
79696	HALYARD BASICS* Large Drape, Non-Sterile	40

MEDIUM DRAPE, 193 X 112 CM

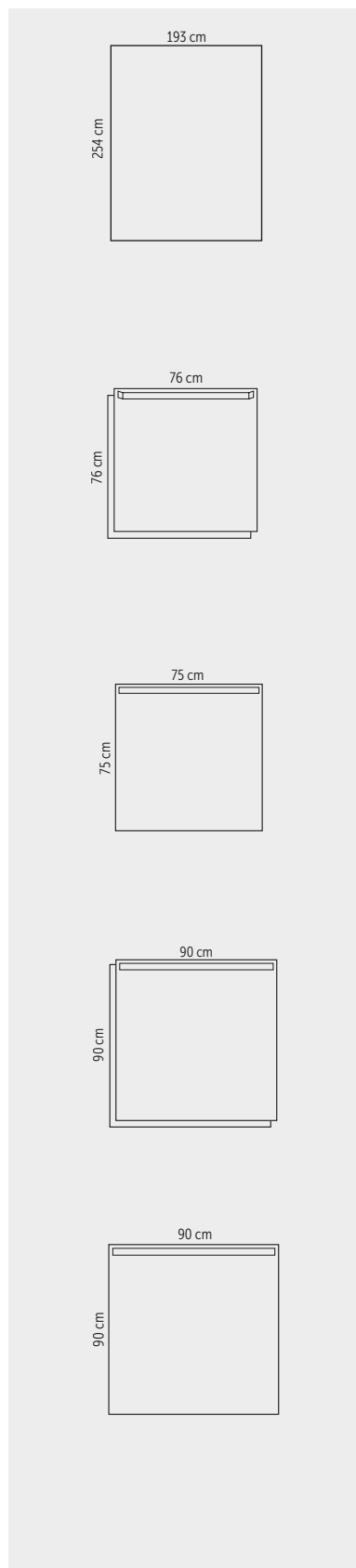
- SMS

CODE	DESCRIPTION	ITEMS/CASE
79111	Medium Drape, Non-Sterile	64



All codes in **bold** indicate a sterile product.

GENERAL SURGERY DRAPES



X-LARGE DRAPE, 193 X 254 CM

- SMS

CODE	DESCRIPTION	ITEMS/CASE
79132	X-Large Drape, Non-Sterile	24

UTILITY DRAPES

UTILITY DRAPE WITH TAPE, 76 X 76 CM, PER PAIR

- SMS

CODE	DESCRIPTION	ITEMS/CASE
89313	Utility Drape with Tape, Sterile	180 (2 x 90)
79313	Utility Drape with Tape, Non-Sterile	200

HALYARD BASICS* UTILITY DRAPE WITH TAPE, 75 X 75 CM

- Spunbond Film

CODE	DESCRIPTION	ITEMS/CASE
89677	HALYARD BASICS* Utility Drape with Tape, Sterile	35
79699	HALYARD BASICS* Utility Drape with Tape, Non-Sterile	60

UTILITY DRAPE WITH TAPE, 90 X 90 CM, PER PAIR

- SMS

CODE	DESCRIPTION	ITEMS/CASE
89293	Utility Drape with Tape, Sterile	160 (2 x 80)
79293	Utility Drape with Tape, Non-Sterile	170

UTILITY DRAPE WITH TAPE, 90 X 90 CM

- SMS

CODE	DESCRIPTION	ITEMS/CASE
89363	Utility Drape with Tape, Sterile	100
79293	Utility Drape with Tape, Non-Sterile	170

All codes in **bold** indicate a sterile product.

GENERAL SURGERY DRAPES

HALYARD BASICS* UTILITY DRAPE WITH TAPE, 90 X 90 CM

- Spunbond Film

CODE	DESCRIPTION	ITEMS/CASE
89679	HALYARD BASICS* Utility Drape with Tape, Sterile	30
79783	HALYARD BASICS* Utility Drape with Tape, Non-Sterile	90

STANDARD ABSORBENT DRAPE, 91 X 91 CM

CODE	DESCRIPTION	ITEMS/CASE
89343	Standard Absorbent Drape, Sterile	50
79343	Standard Absorbent Drape, Non-Sterile	70

UTILITY DRAPE, 157 X 241 CM

- SMS
- Full Length Tape on the Long Side

CODE	DESCRIPTION	ITEMS/CASE
76291	Utility Drape, Sterile	30
76492	Utility Drape, Non-Sterile	32

HALYARD BASICS* UTILITY DRAPE WITH TAPE, 150 X 240 CM

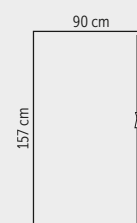
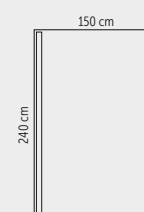
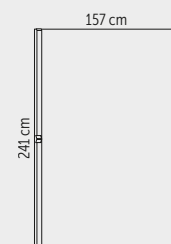
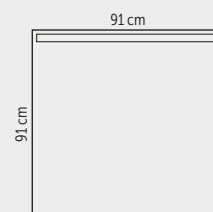
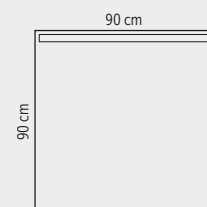
- SMS
- Full Length Tape on the Long Side

CODE	DESCRIPTION	ITEMS/CASE
89676	HALYARD BASICS* Utility Drape with Tape, Sterile	30

UTILITY DRAPE, 90 X 157 CM

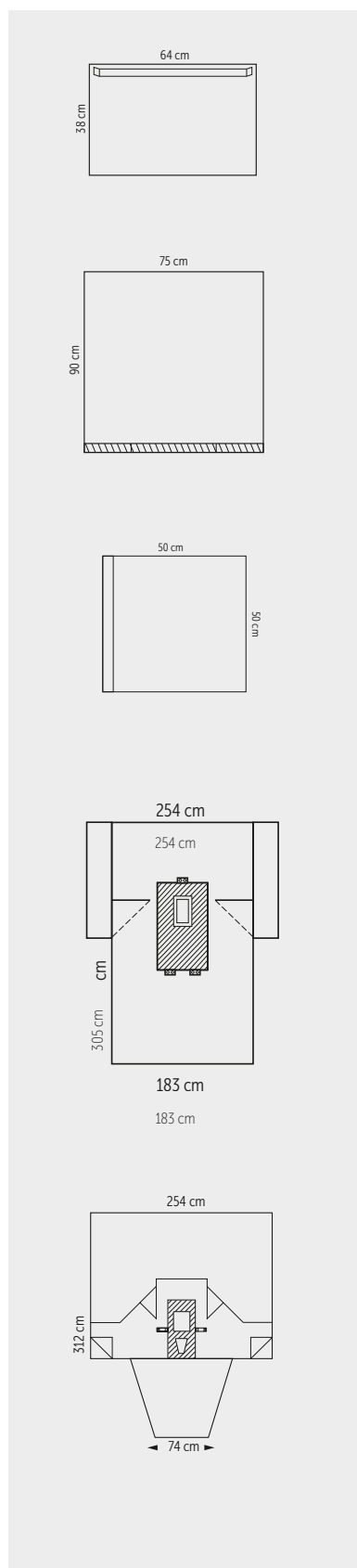
- SMS
- Full Length Tape on the Long Side

CODE	DESCRIPTION	ITEMS/CASE
76293	Utility Drape, Sterile	60
78965	Utility Drape, Non-Sterile	120



All codes in **bold** indicate a sterile product.

GENERAL SURGERY DRAPES



UTILITY DRAPE WITH TAPE, 64 X 38 CM

- SMS
- Full Length Tape on the Long Side

CODE	DESCRIPTION	ITEMS/CASE
79731	Utility Drape with Tape, Non-Sterile	550

UTILITY DRAPE WITH TAPE, 75 X 90 CM

CODE	DESCRIPTION	ITEMS/CASE
K797310	Utility Drape with Tape, Non-Sterile	200

STANDARD ABSORBENT DRAPE, 50 X 50CM

- Full Length Tape on One Side

CODE	DESCRIPTION	ITEMS/CASE
K897312	Utility Drape with Tape, Sterile	100

LAPAROTOMY DRAPES

LAPAROTOMY DRAPE WITH INCISE, 254 X 305 X 183 CM

- Fenestration 20 x 33 cm
- CONTROL* Plus Fabric Reinforcement 61 x 96 cm
- Tube Holders
- Armboard Covers
- Positioning Tape

CODE	DESCRIPTION	ITEMS/CASE
89282	Laparotomy Drape with Incise, Sterile	15
79282	Laparotomy Drape with Incise, Non-Sterile	15

LAPAROTOMY DRAPE WITH ATTACHED LEGGINGS, 254 X 312 X 74 CM

- Abdominal Fenestration 23 x 28 cm
- Trapezoidal Perineal Fenestration with Flap 7.6 x 18 cm
- CONTROL* Plus Fabric Reinforcement 76 x 38 cm
- Hook and Loop Tube Holders
- Positioning Tape on both Fenestrations

CODE	DESCRIPTION	ITEMS/CASE
76380	Laparotomy Drape with Attached Leggings, Non-Sterile	8

All codes in **bold** indicate a sterile product.

GENERAL SURGERY DRAPES

LAPAROTOMY DRAPE WITH ATTACHED LEGGINGS, 255 X 317 X 284 CM

- SMS
- Abdominal Fenestration 34 x 37 cm, with Incise
- Perineal Fenestration 11 x 16 cm
- CONTROL* Reinforcement 70 x 74 cm
- Additional Reinforcement 51 x 51 cm
- With Two Pouches

CODE	DESCRIPTION	ITEMS/CASE
K892245	Laparotomy Drape with Attached Leggings, Sterile	12
K792245	Laparotomy Drape with Attached Leggings, Non-Sterile	8

LAPAROTOMY DRAPE WITH ATTACHED LEGGINGS, 254 X 317 X 285 CM

- SMS
- Fenestration 33 x 36.8 cm
- Fenestration 10.8 x 16 cm
- CONTROL* Reinforcement 71.1 x 73.7 cm & 50.8 x 50.8 cm
- With Clear Film Poly Pouch

CODE	DESCRIPTION	ITEMS/CASE
K892246	Laparotomy Drape with Attached Leggings, Sterile	12
K792246	Laparotomy Drape with Attached Leggings, Non-Sterile	12

BREAST/CHEST DRAPES

BREAST DRAPE, 254 X 315 X 193 CM

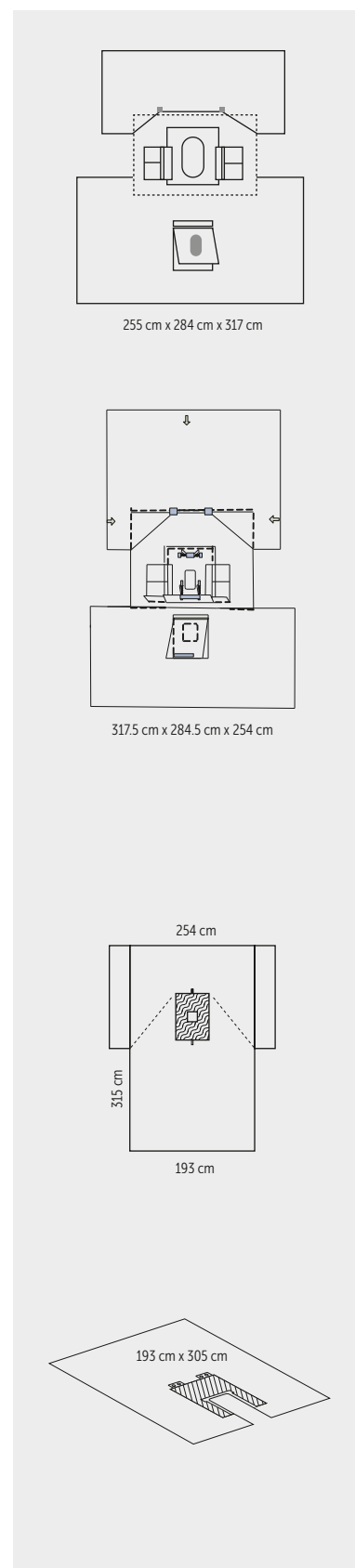
- Fenestration 15 x 15 cm
- CONTROL* Fabric Reinforcement 51 x 71 cm
- 2 Velcros - Aperture is adhesive and it has 2,5 cm wide tapes
- Armboard Covers

CODE	DESCRIPTION	ITEMS/CASE
89236	Breast Drape, Sterile	10
79236	Breast Drape, Non-Sterile	20

BREAST & CHEST U-DRAPE, 193 X 305 CM

- CONTROL* Plus Fabric Reinforcement 102 x 61 cm
- Tube Holders
- Positioning Tape
- 30 x 76 cm Split

CODE	DESCRIPTION	ITEMS/CASE
76364	Breast & Chest U-Drape, Non-Sterile	19



All codes in **bold** indicate a sterile product.

GENERAL SURGERY DRAPES

THYROID DRAPES

THYROID DRAPE, 193 X 305 CM

- Transverse Fenestration 20 x 7 cm
- CONTROL* Plus Fabric Reinforcement 61 x 41 cm
- Tube Holders
- Positioning Tape

CODE	DESCRIPTION	ITEMS/CASE
89251	Thyroid Drape, Sterile	13

LAPAROSCOPY DRAPES

LAPAROSCOPY DRAPE WITH ATTACHED LEGGINGS, 254 X 279 X 178 CM WITH SIDE POUCHES 28 X 58 CM

- Abdominal Fenestration 30 x 33 cm
- Perineal Fenestration 22 x 10 cm
- With Flap over both Fenestrations
- CONTROL* Plus Reinforcement 96 x 152 cm

CODE	DESCRIPTION	ITEMS/CASE
76377	Laparoscopy Drape with Attached Leggings, Non-Sterile	10

LAPAROSCOPY/PELVISCOPY DRAPE, 264 X 89 X 264 CM

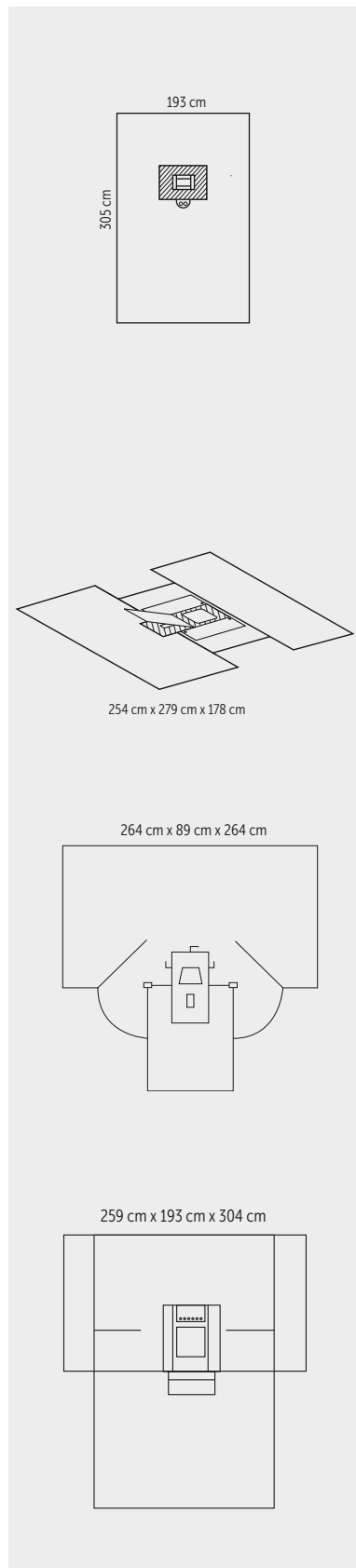
- SMS
- CONTROL* Plus Fabric Reinforcement 38 x 76 cm
- Trapezoidal Abdominal Fenestration 18 x 23 x L 18 cm
- Perineal Fenestration 7 x 15 cm
- With Flap over both Fenestrations
- Positioning Tape around Abdominal Fenestration

CODE	DESCRIPTION	ITEMS/CASE
79222	Laparoscopy/Pelviscopy Drape, Non-Sterile	22

LAPAROSCOPY/CHOLECYSTECTOMY DRAPE, 295 X 193 X 304 CM

- SMS
- CONTROL* Plus Fabric Reinforcement 61 x 71 cm
- Fenestration 30 x 33 cm
- Instrument Pouch 48 x 33 cm
- Armboard Covers
- Tube Holders
- Positioning Tape

CODE	DESCRIPTION	ITEMS/CASE
79223	Laparoscopy/Cholecystectomy Drape, Non-Sterile	13



All codes in **bold** indicate a sterile product.

ORTHOPAEDICS

ORTHOPAEDIC PACKS

UPPER EXTREMITY PACK

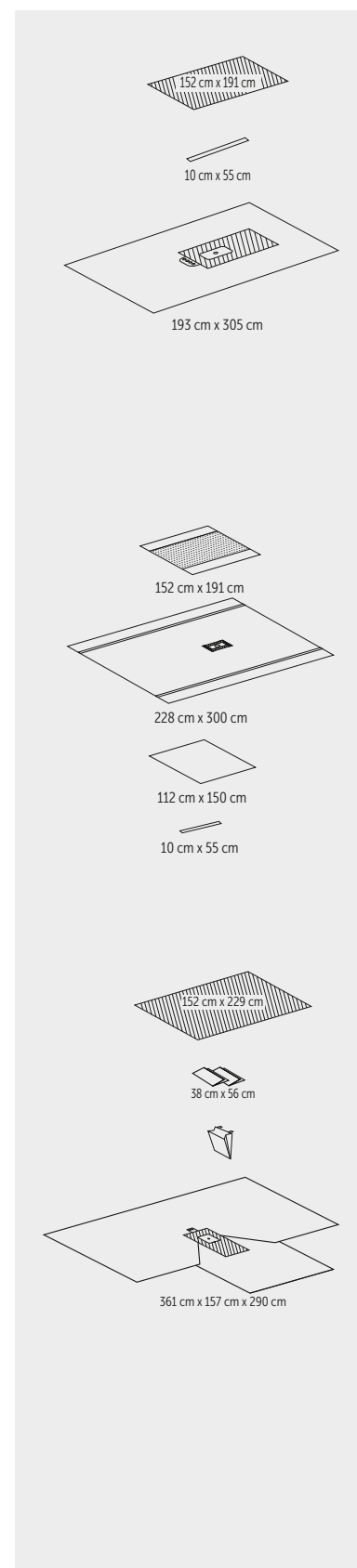
CODE	DESCRIPTION		ITEMS/CASE
77781	Upper Extremity Pack		9
STERILE	NON-STERILE	CONTENTS	
-	-	1 Sterilisation Wrap 89 x 89 cm	
42222	42428	1 Back Table Cover, Reinforced 152 x 191 cm	
89053	79053	1 Tape Strip 10 x 55 cm	
89271	79273	1 Extremity Drape 193 x 305 cm: <ul style="list-style-type: none"> • Conformable Circular Fenestration 3 cm • CONTROL⁺ Fabric Reinforcement • Tube Holders 	

HALYARD BASICS* EXTREMITY PACK II

CODE	DESCRIPTION		ITEMS/CASE
89684	HALYARD BASICS* Extremity Pack II		10
STERILE	NON-STERILE	CONTENTS	
88673	78669	1 Back Table Cover, Zone Reinforced 152 x 191 cm	
-	-	1 Extremity Drape 228 x 300 cm: <ul style="list-style-type: none"> • Oval Fenestration 8 x 6 cm, centered • Spunbond Film 	
89672	79694	1 Half Drape 112 x 150 cm	
-	-	1 Tape Strip 10 x 55 cm	

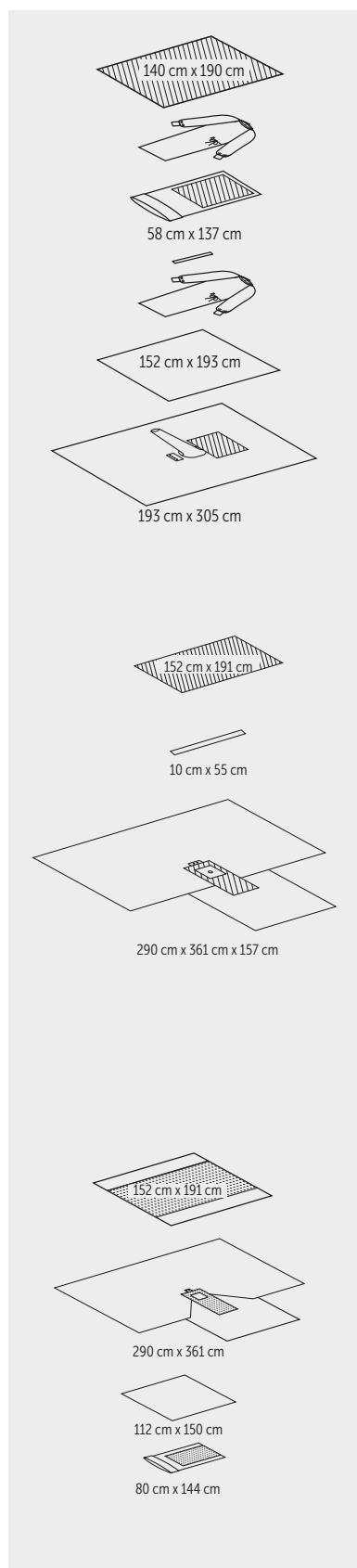
HAND PACK

CODE	DESCRIPTION		ITEMS/CASE
59707	Hand Pack		8
STERILE	NON-STERILE	CONTENTS	
-	42451	1 Back Table Cover, Reinforced 152 x 229 cm	
89701	79720	1 Absorbent Towel 38 x 56 cm	
77450	13227 (handi-bin)	1 Hand Drape 290 x 361 x 157 cm: <ul style="list-style-type: none"> • Conformable Circular Fenestration 3 cm • CONTROL⁺ Plus Fabric Reinforcement • Tube Holders • Gusseted Hand Table Cover 157 x 147 cm • Positioning Tape 	



All codes in **bold** indicate a sterile product.

ORTHOPAEDIC PACKS



HAND PACK I

CODE	DESCRIPTION		ITEMS/CASE
76226	Hand Pack I		7
	STERILE	NON-STERILE	CONTENTS
	42345	-	1 Back Table Cover, Reinforced 140 x 190 cm
	89601	79601	1 Mayo Stand Cover 58 x 137 cm
	90012	79970	1 Surgical Gown Set-in-Sleeves Large
	90043	79983	1 Surgical Gown Raglan Sleeves XL, X-Long
	89053	79053	2 Tape Strips 10 x 55 cm
	89121	79122	1 Large Drape 193 x 152 cm
	-	-	1 Hand Drape 193 x 305 cm <ul style="list-style-type: none"> • Attached Sleeve • Tube Holders • CONTROL⁺ Plus Fabric Reinforcement

HAND PACK

CODE	DESCRIPTION		ITEMS/CASE
77783	Hand Pack		7
	STERILE	NON-STERILE	CONTENTS
	-	-	1 Sterilisation Wrap 89 x 89 cm
	42222	42428	1 Back Table Cover, Reinforced 152 x 191 cm
	89053	79053	1 Tape Strip 10 x 55 cm
	77450	13227 (handi-bin)	1 Hand Drape 290 x 361 x 157 cm: <ul style="list-style-type: none"> • Conformable Circular Fenestration 3 cm • CONTROL⁺ Plus Fabric Reinforcement • Tube Holders • Gusseted Hand Table Cover 157 x 147 cm • Positioning Tape

HALYARD BASICS* HAND PACK

CODE	DESCRIPTION		ITEMS/CASE
88910	HALYARD BASICS* Hand Pack		10
	STERILE	NON-STERILE	CONTENTS
	88673	78669	1 Back Table Cover, Zone Reinforced 152 x 191 cm
	88672	-	1 Mayo Stand Cover, Zone Reinforced 80 x 144 cm
	-	-	1 Hand Drape 290 x 361 cm: <ul style="list-style-type: none"> • Conformable Circular Fenestration 3 cm, centered • Absorbent Reinforcement
	89672	79694	1 Half Drape 112 x 150 cm

All codes in **bold** indicate a sterile product.

ORTHOPAEDIC PACKS

HALYARD BASICS* HAND PACK II

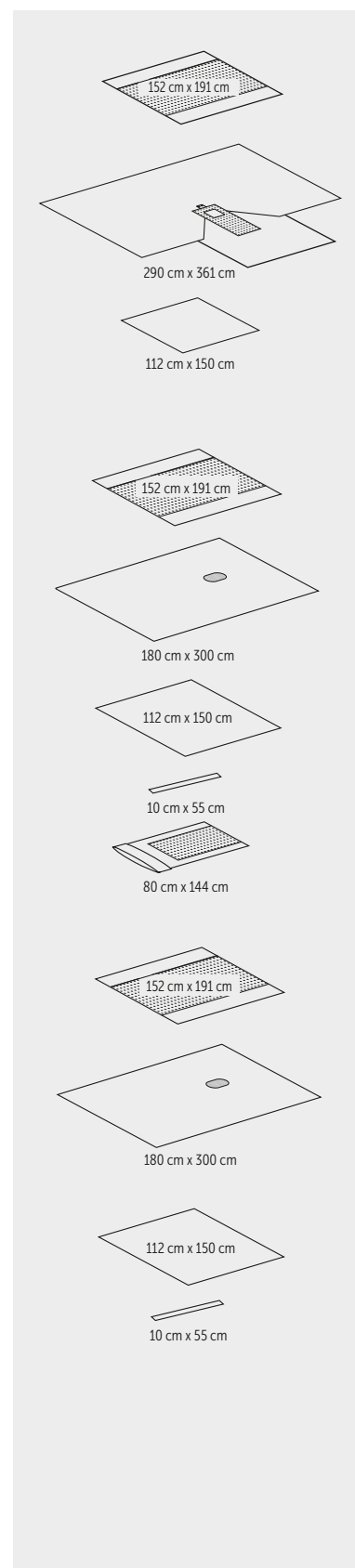
CODE	DESCRIPTION		ITEMS/CASE
89687	HALYARD BASICS* Hand Pack II		10
	STERILE	NON-STERILE	CONTENTS
88673	78669		1 Back Table Cover, Zone Reinforced 152 x 191 cm
-	-		1 Hand Drape 290 x 361 cm: <ul style="list-style-type: none"> • Conformable Circular Fenestration 3 cm, centered • Absorbent Reinforcement
89672	79694		1 Half Drape 112 x 150 cm

HALYARD BASICS* HAND & FOOT PACK

CODE	DESCRIPTION		ITEMS/CASE
88909	HALYARD BASICS* Hand & Foot Pack		10
	STERILE	NON-STERILE	CONTENTS
88673	78669		1 Back Table Cover, Zone Reinforced 152 x 191 cm
88672	-		1 Mayo Stand Cover, Zone Reinforced 80 x 144 cm
89673	-		1 Hand & Foot Drape 180 x 300 cm: <ul style="list-style-type: none"> • Conformable Circular Fenestration 3 cm, centered • Spunbond Film
89672	79694		1 Half Drape 112 x 150 cm
-	-		1 Tape Strip 10 x 55 cm

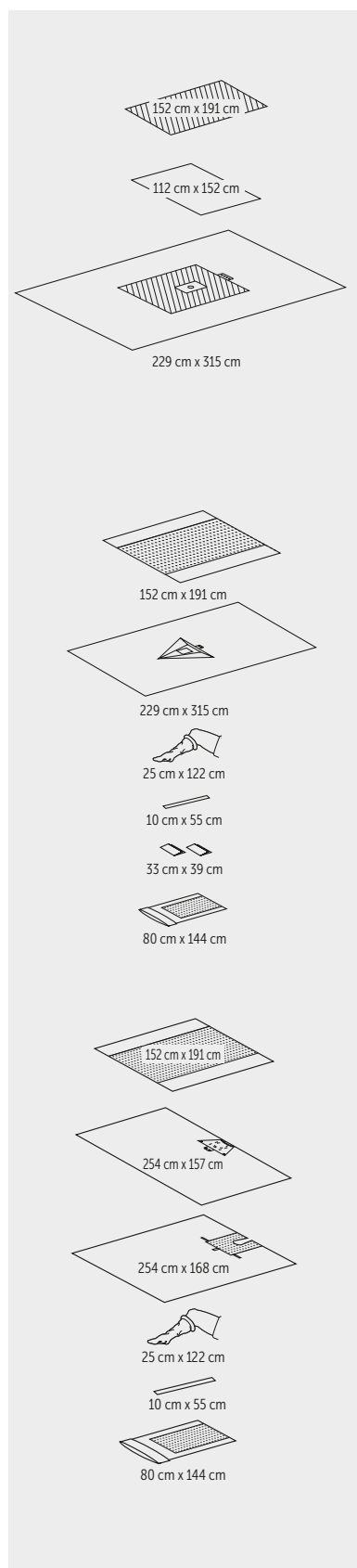
HALYARD BASICS* HAND & FOOT PACK II

CODE	DESCRIPTION		ITEMS/CASE
89685	HALYARD BASICS* Hand & Foot Pack II		10
	STERILE	NON-STERILE	CONTENTS
88673	78669		1 Back Table Cover, Zone Reinforced 152 x 191 cm
89673	-		1 Hand & Foot Drape 180 x 300 cm: <ul style="list-style-type: none"> • Conformable Circular Fenestration 3 cm, centered • Spunbond Film
89672	79694		1 Half Drape 112 x 150 cm
-	-		1 Tape Strip 10 x 55 cm



All codes in **bold** indicate a sterile product.

ORTHOPAEDIC PACKS



ARTHROSCOPY PACK II

CODE	DESCRIPTION	ITEMS/CASE
77881	Arthroscopy Pack II	10
STERILE	NON-STERILE	CONTENTS
-	-	1 Sterilisation Wrap 89 x 89 cm
42222	42428	1 Back Table Cover, Reinforced 152 x 191 cm
89101	79102	1 Half Drape 112 x 152 cm
89279	79279	1 Universal Lower Extremity Drape 229 x 315 cm: <ul style="list-style-type: none"> • Conformable Circular Fenestration 6 cm • CONTROL⁺ Plus Fabric Reinforcement • Tube Holders

HALYARD BASICS* ARTHROSCOPIC CRUCIATE LIGAMENT (ACL) PACK

CODE	DESCRIPTION	ITEMS/CASE
88907	HALYARD BASICS* Arthroscopic Cruciate Ligament (ACL) Pack	5
STERILE	NON-STERILE	CONTENTS
88673	78669	1 Back Table Cover, Zone Reinforced 152 x 191 cm
88672	-	1 Mayo Stand Cover, Zone Reinforced 80 x 144 cm
-	-	1 Knee Arthroscopy Drape 229 x 315 cm
-	-	1 Stockinette Medium 25 x 122 cm
-	-	1 Tape Strip 10 x 55 cm
-	-	2 Absorbent Towels 33 x 39 cm

HALYARD BASICS* SHOULDER ARTHROSCOPY PACK

CODE	DESCRIPTION	ITEMS/CASE
88908	HALYARD BASICS* Shoulder Arthroscopy Pack	5
STERILE	NON-STERILE	CONTENTS
88673	78669	1 Back Table Cover, Zone Reinforced 152 x 191 cm
88672	-	1 Mayo Stand Cover, Zone Reinforced 80 x 144 cm
-	-	1 Shoulder Arthroscopy Drape 254 x 157 cm: <ul style="list-style-type: none"> • Fluid Collection Pouch • 10 x 53 cm Split
-	-	1 Shoulder Split Drape 254 x 168 cm: <ul style="list-style-type: none"> • 10 x 53 cm Split
-	-	1 Stockinette Medium 25 x 122 cm
-	-	1 Tape Strip 10 x 55 cm

All codes in **bold** indicate a sterile product.

ORTHOPAEDIC PACKS

LOWER EXTREMITY PACK I

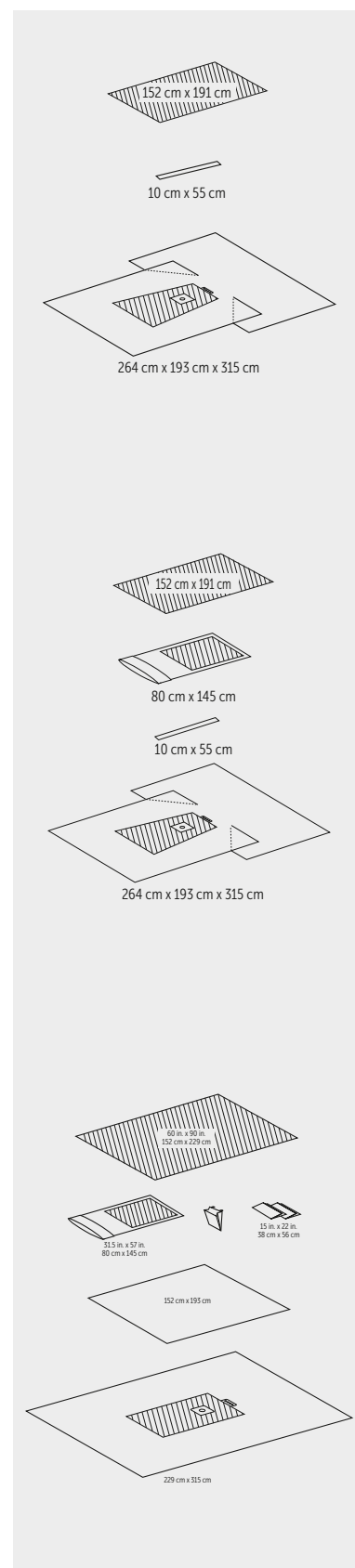
CODE	DESCRIPTION	ITEMS/CASE
77790	Lower Extremity Pack I	13
STERILE	NON-STERILE	CONTENTS
-	-	1 Sterilisation Wrap 89 x 89 cm
42222	42428	1 Back Table Cover, Reinforced 152 x 191 cm
89053	79053	1 Tape Strip 10 x 55 cm
-	13232 (handi-bin)	1 Extremity Drape 264 x 193 x 315 cm: <ul style="list-style-type: none"> • Conformable Circular Fenestration 6 cm • Armboard Covers • CONTROL⁺ Plus Fabric Reinforcement • Tube Holders

LOWER EXTREMITY PACK II

CODE	DESCRIPTION	ITEMS/CASE
77798	Lower Extremity Pack II	9
STERILE	NON-STERILE	CONTENTS
-	-	1 Sterilisation Wrap 89 x 89 cm
42222	42428	1 Back Table Cover, Reinforced 152 x 191 cm
89603	79603	1 Mayo Stand Cover, 80 x 145 cm
89053	79053	1 Tape Strip 10 x 55 cm
-	13232 (handi-bin)	1 Extremity Drape 264 x 193 x 315 cm: <ul style="list-style-type: none"> • Conformable Circular Fenestration 6 cm • Armboard Covers • CONTROL⁺ Plus Fabric Reinforcement • Tube Holders

LOWER EXTREMITY PACK

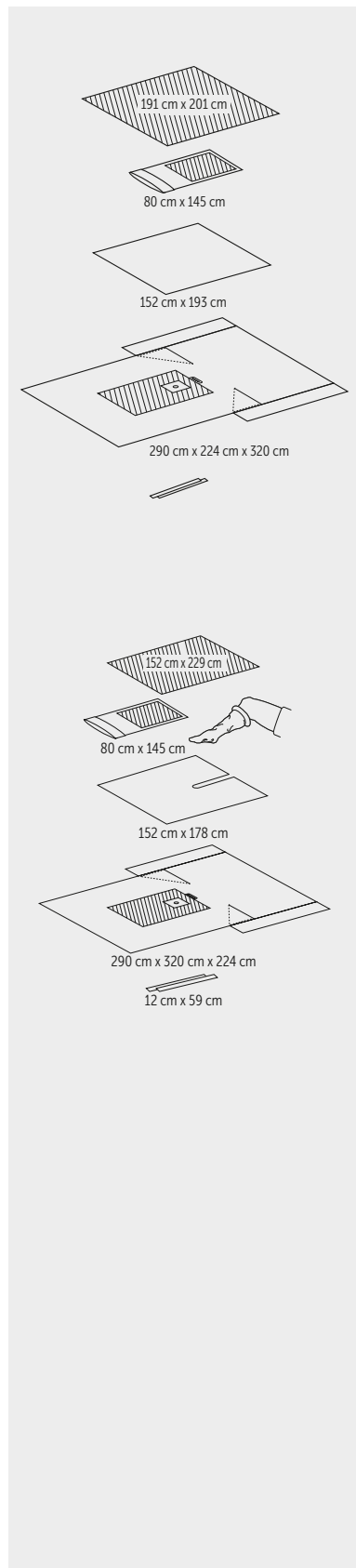
CODE	DESCRIPTION	ITEMS/CASE
59706	Lower Extremity Pack	6
STERILE	NON-STERILE	CONTENTS
-	42451	1 Back Table Cover, Reinforced 152 x 229 cm
89603	79603	1 Mayo Stand Cover 80 x 145 cm
-	-	1 Suture Bag
89701	79720	1 Absorbent Towel 38 x 56 cm
-	-	1 Large Drape 152 x 193 cm
89279	79279	1 Universal Extremity Drape <ul style="list-style-type: none"> • Conformable Circular Fenestration 6 cm • CONTROL⁺ Plus Fabric Reinforcement • Tube Holders



All codes in **bold** indicate a sterile product.

ORTHOPAEDIC PACKS

LOWER EXTREMITY PACK



CODE	DESCRIPTION	ITEMS/CASE
76246	Lower Extremity Pack	5
STERILE	NON-STERILE	CONTENTS
42312	42313	1 Back Table Cover, Reinforced 191 x 201 cm
89603	79603	1 Mayo Stand Cover 80 x 145 cm
89121	79122	1 Large Drape 152 x 193 cm
89053	79053	2 Tape Strips 10 x 55 cm
89278	-	1 ORTHOARTS* Lower Extremity Drape 290 x 224 x 320 cm <ul style="list-style-type: none"> • Conformable Circular Fenestration 6 cm • Armboard Covers • CONTROL* Plus Fabric Reinforcement • Tube Holders • Heavy Duty Fabric

ORTHOARTS* PACK VII

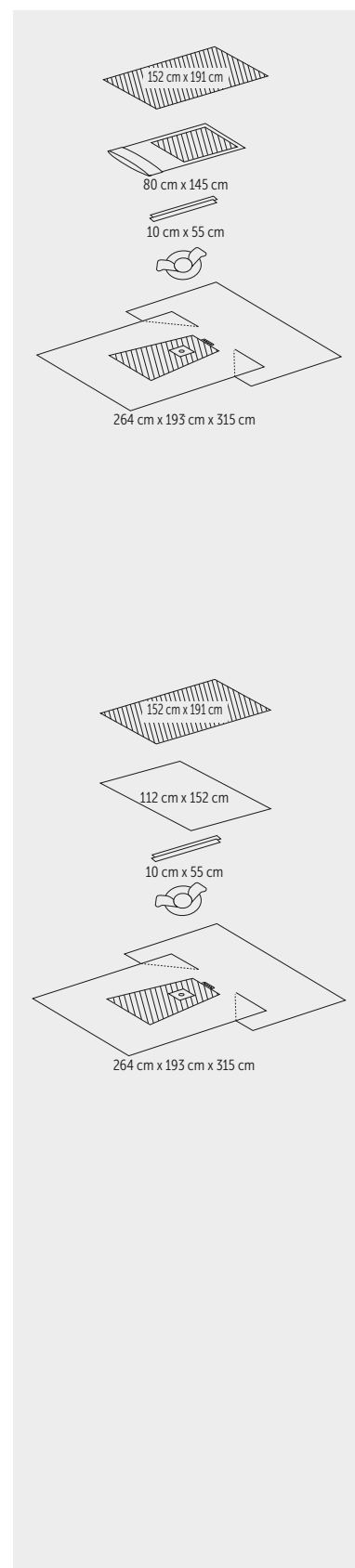
CODE	DESCRIPTION	ITEMS/CASE
88203	ORTHOARTS* Pack VII	3
STERILE	NON-STERILE	CONTENTS
42224	42451	1 Back Table Cover, Reinforced 152 x 229 cm
89603	79603	1 Mayo Stand Cover 80 x 145 cm
89811	-	1 Impervious Stockinette, Medium 23 x 112 cm
89331	79330	1 Impervious Split Drape 152 x 178 cm: <ul style="list-style-type: none"> • 10 x 53 cm Split • Positioning Tape
89278	13233 (handi-bin)	1 ORTHOARTS* Lower Extremity Drape 290 x 320 x 224 cm: <ul style="list-style-type: none"> • Conformable Circular Fenestration 6 cm • Armboard Covers • CONTROL* Plus Fabric Reinforcement • Tube Holders • Heavy Duty Fabric
-	-	2 Iso-Seal Tape Strips 12 x 59 cm

All codes in **bold** indicate a sterile product.

ORTHOPAEDIC PACKS

KNEE PACK I

CODE	DESCRIPTION		ITEMS/CASE
77784	Knee Pack I		9
STERILE	NON-STERILE	CONTENTS	
-	-	1 Sterilisation Wrap 89 x 89 cm	
42222	42428	1 Back Table Cover, Reinforced 152 x 191 cm	
89603	79603	1 Mayo Stand Cover 80 x 145 cm	
89053	79053	2 Tape Strips 10 x 55 cm	
89861	79861	1 Impervious Stretchable Stockinette, Small 17 x 76 cm	
-	13232 (handi-bin)	1 Extremity Drape 264 x 193 x 315 cm: <ul style="list-style-type: none"> • Conformable Circular Fenestration 6 cm • Armboard Covers • CONTROL⁺ Plus Fabric Reinforcement • Tube Holders 	

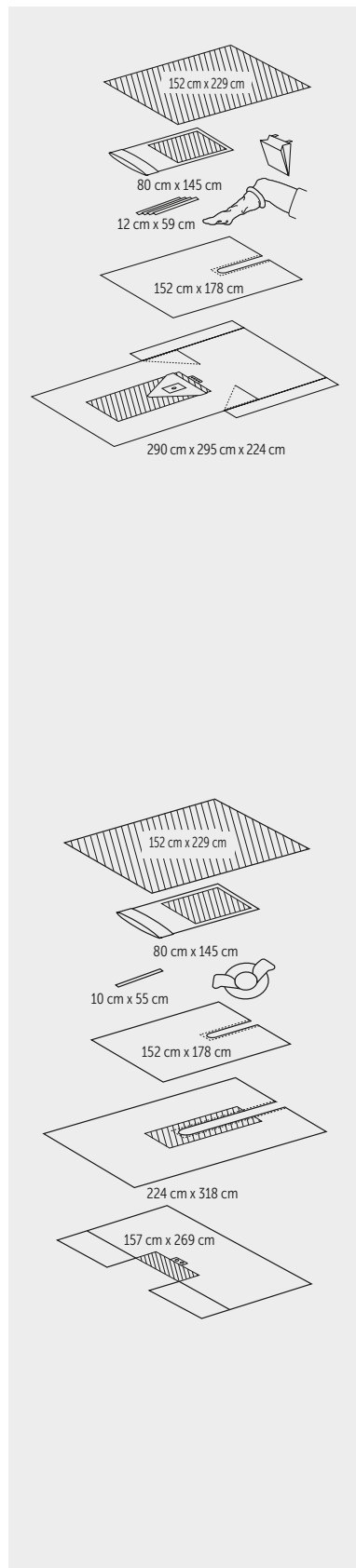


KNEE PACK II

CODE	DESCRIPTION		ITEMS/CASE
77785	Knee Pack II		7
STERILE	NON-STERILE	CONTENTS	
-	-	1 Sterilisation Wrap 89 x 89 cm	
42222	42428	1 Back Table Cover, Reinforced 152 x 191 cm	
89101	79102	1 Half Drape 112 x 152 cm	
89053	79053	2 Tape Strips 10 x 55 cm	
89861	79861	1 Impervious Stretchable Stockinette, Small 17 x 76 cm	
-	13232 (handi-bin)	1 Extremity Drape 264 x 193 x 315 cm: <ul style="list-style-type: none"> • Conformable Circular Fenestration 6 cm • Armboard Covers • CONTROL⁺ Plus Fabric Reinforcement • Tube Holders 	

All codes in **bold** indicate a sterile product.

ORTHOPAEDIC PACKS



ORTHOARTS* ARTHROSCOPY PACK II

CODE	DESCRIPTION		ITEMS/CASE
88213	ORTHOARTS* Arthroscopy Pack II		4
	STERILE	NON-STERILE	CONTENTS
42224		42451	1 Back Table Cover, Reinforced 152 x 229 cm
89603		79603	1 Mayo Stand Cover 80 x 145 cm
-		-	1 Suture Bag
-		-	4 Iso-Seal Tape Strips 12 x 59 cm
89821		-	1 Impervious Stockinette, Large 30 x 122 cm
89331		79330	1 Impervious Split Drape 152 x 178 cm: <ul style="list-style-type: none"> • 10 x 53 cm Split • Positioning Tape
89267		79267	1 ORTHOARTS* Knee Arthroscopy Drape 290 x 295 x 224 cm: <ul style="list-style-type: none"> • Heavy Duty Fabric • Fluid Collection Pouch with Reflux Shields and Suction Port • Armboard Covers • CONTROL* Plus Fabric Reinforcement • Tube Holders

HIP PACK

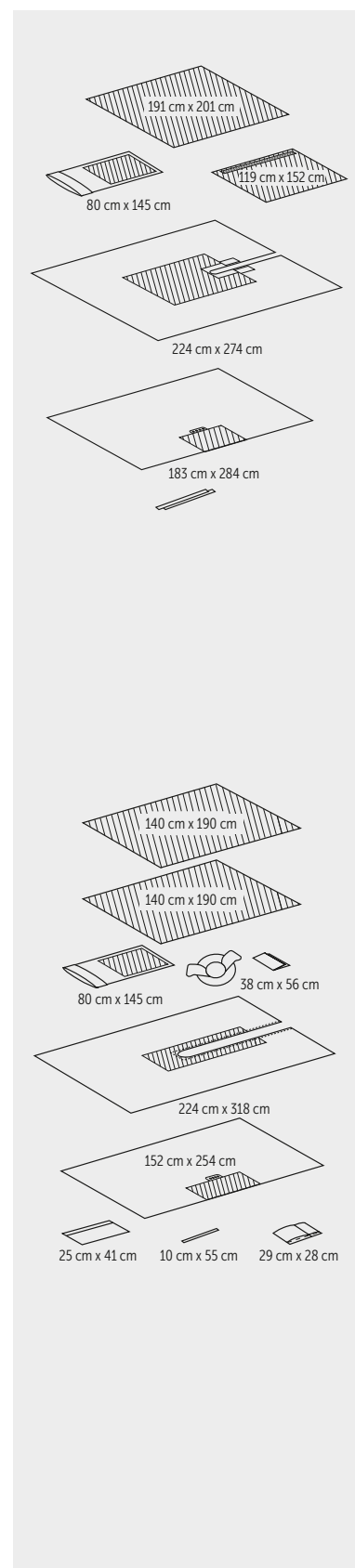
CODE	DESCRIPTION		ITEMS/CASE
77797	Hip Pack		4
	STERILE	NON-STERILE	CONTENTS
-		-	1 Sterilisation Wrap 96 x 96 cm
42224		42451	1 Back Table Cover, Reinforced 152 x 229 cm
89603		79603	1 Mayo Stand Cover 80 x 145 cm
89053		79053	1 Tape Strip 10 x 55 cm
89881		79881	1 Impervious Stretchable Stockinette, Large 25 x 121 cm
89331		79330	1 Impervious Split Drape 152 x 178 cm: <ul style="list-style-type: none"> • 10 x 53 cm Split • Positioning Tape
-		76368	1 Ortho U-Drape 224 x 318 cm: <ul style="list-style-type: none"> • 15 x 137 cm Split • Positioning Tape • CONTROL* Plus Fabric Reinforcement
-		76363	1 Bar Drape 157 x 269 cm: <ul style="list-style-type: none"> • Armboard Covers • Positioning Tape • CONTROL* Plus Fabric Reinforcement • Tube Holders

All codes in **bold** indicate a sterile product.

ORTHOPAEDIC PACKS

HIP PACK

CODE	DESCRIPTION		ITEMS/CASE
76249	Hip Pack		5
	STERILE	NON-STERILE	CONTENTS
42312		42313	1 Back Table Cover, Reinforced 191 x 201 cm
89603		79603	1 Mayo Stand Cover 80 x 145 cm
-		-	1 Drape 119 x 152 cm • CONTROL [®] Plus Fabric Reinforcement
-		-	1 ORTHOARTS [®] U-Drape 224 x 274 cm • 12 x 101 cm Split • CONTROL [®] Plus Fabric Reinforcement • Positioning Tape • Heavy Duty Fabric
89348		79348	1 ORTHOARTS [®] Bar Drape 183 x 284 cm • Heavy Duty Fabric • CONTROL [®] Plus Fabric Reinforcement • Positioning Tape • Tube Holders

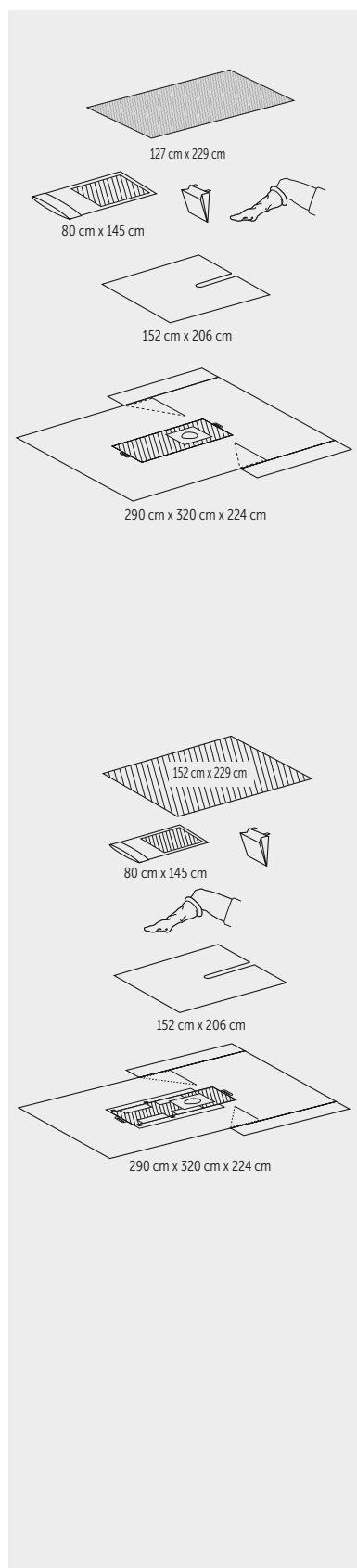


HIP PACK I

CODE	DESCRIPTION		ITEMS/CASE
76271	Hip Pack I		6
	STERILE	NON-STERILE	CONTENTS
42345		-	2 Back Table Covers, Reinforced 140 x 190 cm
89603		79603	1 Mayo Stand Cover 80 x 145 cm
89881		79881	1 Impervious Stretchable Stockinette, Large 25 x 121 cm
89701		79720	1 Absorbent Towel 38 x 56 cm
89311		79363	1 Ortho U-Drape 224 x 318 cm: • 15 x 137 cm Split • Positioning Tape • CONTROL [®] Plus Fabric Reinforcement
89381		79360	1 Ortho Bar Drape 152 x 254 cm: • Positioning Tape • CONTROL [®] Fabric Reinforcement • Tube Holders
-		-	1 Fluid Collection Pouch with Tape 25 x 41 cm
89053		79053	1 Tape Strip 10 x 55 cm
-		-	1 Diathermy Pouch 29 x 28 cm, Heavy Duty, Double Tape

All codes in **bold** indicate a sterile product.

ORTHOPAEDIC PACKS



ORTHOARTS* HIP PACK II

CODE	DESCRIPTION		ITEMS/CASE
88253	ORTHOARTS* Hip Pack II		4
	STERILE	NON-STERILE	CONTENTS
-		42449	1 Back Table Cover, Reinforced 127 x 229 cm
89603		79603	1 Mayo Stand Cover 80 x 145 cm
-		-	1 Suture Bag
89821		-	1 Impervious Stockinette, Large 30 x 122 cm
-		79333	1 Large Impervious Split Drape 152 x 206 cm: <ul style="list-style-type: none"> • 11 x 78 cm Split • Positioning Tape
89346		79346	1 ORTHOARTS* Hip Drape 290 x 320 x 224 cm: <ul style="list-style-type: none"> • Heavy Duty Fabric • Armboard Covers • CONTROL* Plus Fabric Reinforcement • Tube Holders • Conformable Teardrop Fenestration

ORTHOARTS* HIP PACK

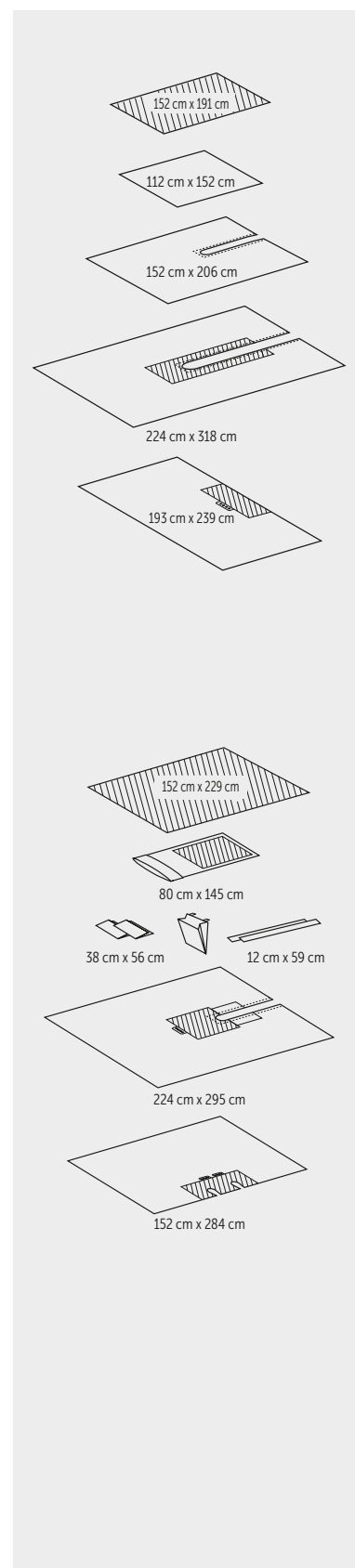
CODE	DESCRIPTION		ITEMS/CASE
88183	ORTHOARTS* Hip Pack		3
	STERILE	NON-STERILE	CONTENTS
42224		42451	1 Back Table Cover, Reinforced 152 x 229 cm
89603		79603	1 Mayo Stand Cover 80 x 145 cm
-		-	1 Suture Bag
89821		-	1 Impervious Stockinette, Large 30 x 122 cm
-		79333	1 Large Impervious Split Drape 152 x 206 cm: <ul style="list-style-type: none"> • 11 x 78 cm Split • Positioning Tape
89345		79345	1 ORTHOARTS* Hip Drape with Pockets 290 x 320 x 224 cm: <ul style="list-style-type: none"> • Heavy Duty Fabric • Armboard Covers • CONTROL* Plus Fabric Reinforcement • Tube Holders • Pockets on both sides • Conformable Teardrop Fenestration

All codes in **bold** indicate a sterile product.

ORTHOPAEDIC PACKS

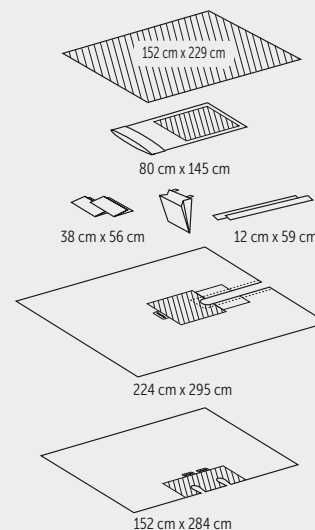
ORTHO MAJOR PACK III

CODE	DESCRIPTION		ITEMS/CASE
88373	ORTHO Major Pack III		7
STERILE	NON-STERILE	CONTENTS	
-	-	1 Sterilisation Wrap 115 x 115 cm	
42222	42428	1 Back Table Cover, Reinforced 152 x 191 cm	
89101	79102	1 Half Drape 112 x 152 cm	
-	79333	1 Large Impervious Split Drape 152 x 206 cm: • 11 x 78 cm Split • Positioning Tape	
-	76368	1 Ortho U-Drape 224 x 318 cm: • 15 x 137 cm Split • Positioning Tape • CONTROL* Plus Fabric Reinforcement	
-	78961	1 Top Drape 193 x 239 cm: • Positioning Tape • CONTROL* Plus Fabric Reinforcement • Tube Holders	



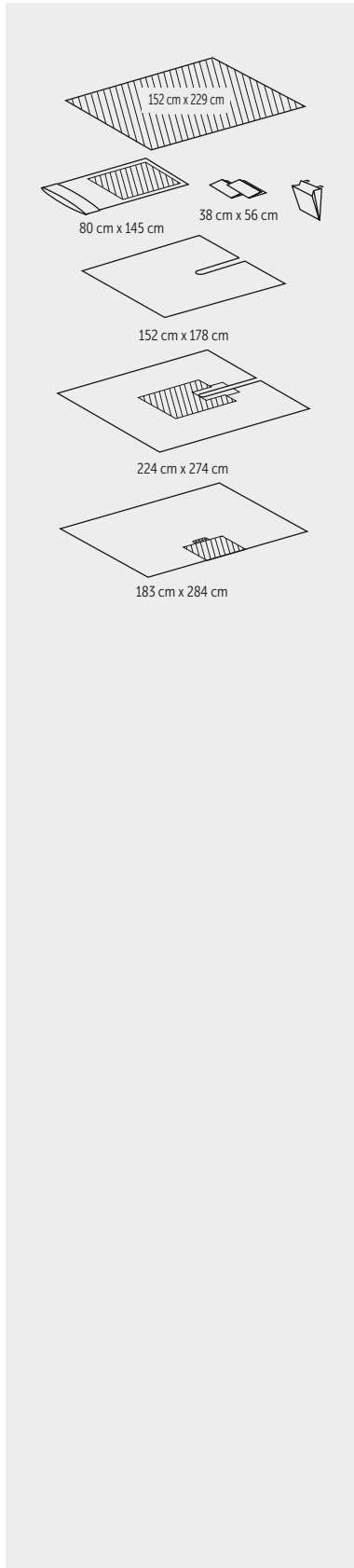
ORTHOARTS* SHOULDER PACK II

CODE	DESCRIPTION		ITEMS/CASE
88243	ORTHOARTS* Shoulder Pack II		5
STERILE	NON-STERILE	CONTENTS	
42224	42451	1 Back Table Cover, Reinforced 152 x 229 cm	
89603	79603	1 Mayo Stand Cover 80 x 145 cm	
89701	79720	2 Absorbent Towels 38 x 56 cm	
-	-	1 Suture Bag	
-	-	2 Iso-Seal Tape Strips 12 x 59 cm	
89275	79275	1 ORTHOARTS* Body Split Drape 224 x 295 cm: • Heavy Duty Fabric • CONTROL* Plus Fabric Reinforcement • Positioning Tape • Tube Holders	
-	-	1 ORTHOARTS* Shoulder Split Drape 152 x 284 cm: • Heavy Duty Fabric • CONTROL* Plus Fabric Reinforcement • 15 x 20 cm Bilateral Split • Positioning Tape • Tube Holders	



All codes in **bold** indicate a sterile product.

ORTHOPAEDIC PACKS



ORTHOARTS* U-BAR* PACK

CODE	DESCRIPTION		ITEMS/CASE
88233	ORTHOARTS* U-BAR* Pack		4
	STERILE	NON-STERILE	CONTENTS
42224		42451	1 Back Table Cover, Reinforced 152 x 229 cm
89603		79603	1 Mayo Stand Cover 80 x 145 cm
89701		79720	2 Absorbent Towels 38 x 56 cm
-		-	1 Suture Bag
89331		79330	1 Impervious Split Drape 152 x 178 cm: <ul style="list-style-type: none"> • 10 x 53 cm Split • Positioning Tape
-		13294 (handi-bin)	1 ORTHOARTS* U-Drape 224 x 274 cm: <ul style="list-style-type: none"> • Heavy Duty Fabric • CONTROL* Fabric Reinforcement • Positioning Tape
89348		79348	1 ORTHOARTS* Bar Drape 183 x 284 cm: <ul style="list-style-type: none"> • Heavy Duty Fabric • CONTROL* Fabric Reinforcement • Positioning Tape • Tube Holders

All codes in **bold** indicate a sterile product.

ORTHOPAEDIC DRAPES

ORTHOARTS* SPLIT / BAR DRAPES

ORTHOARTS* BODY SPLIT DRAPE, 224 X 295 CM

- 11 x 69 cm Split
- Heavy-Duty Fabric
- CONTROL* Plus Fabric Reinforcement 61 x 56 cm
- Tube Holders
- Positioning Tape

CODE	DESCRIPTION	ITEMS/CASE
89275	ORTHOARTS* Body Split Drape, Sterile	10
79275	ORTHOARTS* Body Split Drape, Non-Sterile	12

ORTHOARTS* BAR DRAPE, 284 X 183 CM

- Heavy-Duty Fabric
- CONTROL* Plus Fabric Reinforcement 41 x 61 cm
- Tube Holders
- Positioning Tape

CODE	DESCRIPTION	ITEMS/CASE
89348	ORTHOARTS* Bar Drape, Sterile	12
79348	ORTHOARTS* Bar Drape, Non-Sterile	14

IMPERVIOUS SPLIT DRAPES

IMPERVIOUS SPLIT DRAPE, 152 X 178 CM

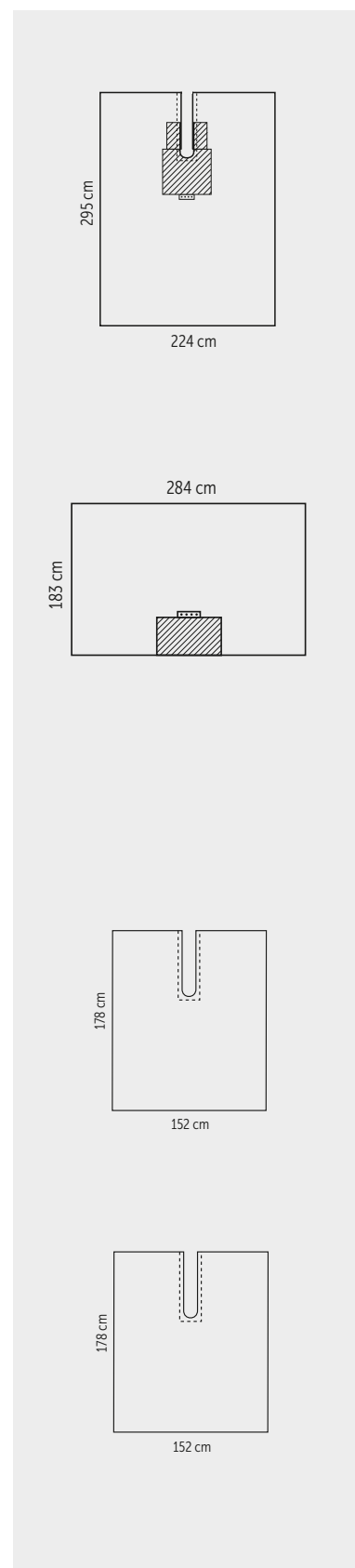
- 10 x 53 cm Split
- Positioning Tape

CODE	DESCRIPTION	ITEMS/CASE
89331	Impervious Split Drape, Sterile	42
79330	Impervious Split Drape, Non-Sterile	115

HALYARD BASICS* IMPERVIOUS SPLIT DRAPE, 152 X 178 CM

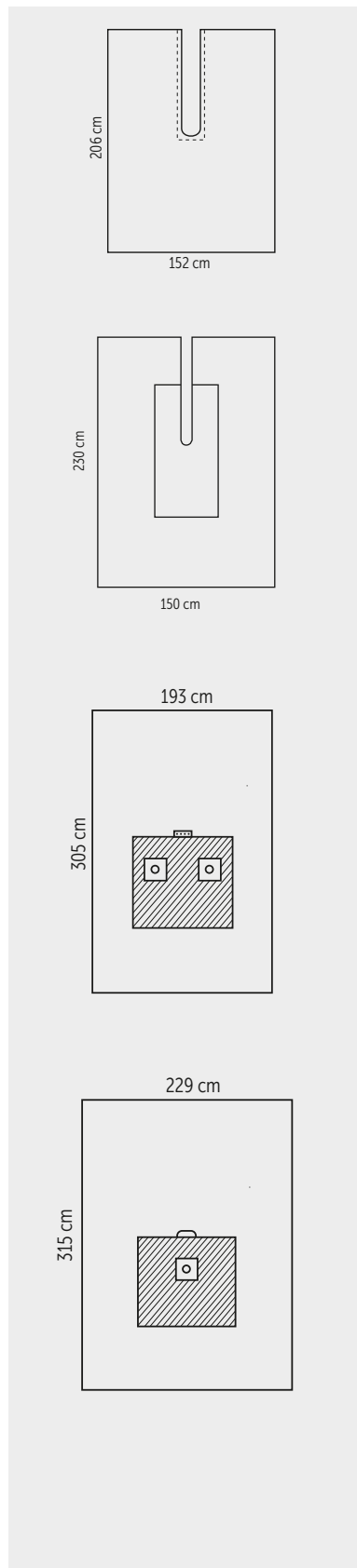
- 10 x 53 cm Split
- Poly
- Positioning Tape

CODE	DESCRIPTION	ITEMS/CASE
78660	HALYARD BASICS* Impervious Split Drape, Non-Sterile	65



All codes in **bold** indicate a sterile product.

ORTHOPAEDIC DRAPES



LARGE IMPERVIOUS SPLIT DRAPE, 152 X 206 CM

- 11 x 78 cm Split
- Positioning Tape

CODE	DESCRIPTION	ITEMS/CASE
79333	Large Impervious Split Drape, Non-Sterile	100

SPLIT DRAPE, 150 X 230 CM

- 10 x 80 cm Split
- CONTROL⁺ Plus Fabric Reinforcement 61 x 140 cm
- Positioning Tape

CODE	DESCRIPTION	ITEMS/CASE
K793210	Split Drape, Non-Sterile	180

EXTREMITY DRAPES

BILATERAL LIMB DRAPE, 193 X 305 CM

- CONTROL⁺ Plus Fabric Reinforcement 102 x 81 cm
- Two Conformable Circular Fenestrations, 6 cm
- Tube Holders

CODE	DESCRIPTION	ITEMS/CASE
89291	Bilateral Limb Drape, Sterile	14

LOWER EXTREMITY DRAPES

UNIVERSAL EXTREMITY DRAPE, 229 X 315 CM

- CONTROL⁺ Plus Fabric Reinforcement 122 x 71 cm
- Conformable Circular Fenestration 6 cm
- Tube Holders

CODE	DESCRIPTION	ITEMS/CASE
89279	Universal Extremity Drape, Sterile	14
79279	Universal Extremity Drape, Non-Sterile	150

All codes in **bold** indicate a sterile product.

ORTHOPAEDIC DRAPES

LOWER EXTREMITY DRAPE, 224 X 333 CM

- CONTROL* Plus Fabric Reinforcement 81 x 81 cm
- Conformable Circular Fenestration 6 cm
- Tube Holders

CODE	DESCRIPTION	ITEMS/CASE
89276	Lower Extremity Drape, Sterile	14
13228	Lower Extremity Drape, Non-Sterile - handi-bin	192

LOWER EXTREMITY DRAPE, 274 X 315 X 203 CM

- CONTROL* Plus Fabric Reinforcement 51 x 91 x 122 cm
- Circular Fenestration 6 cm

CODE	DESCRIPTION	ITEMS/CASE
13232	Lower Extremity Drape, Non-Sterile	130

ORTHOARTS* LOWER EXTREMITY DRAPE, 290 X 320 X 224 CM

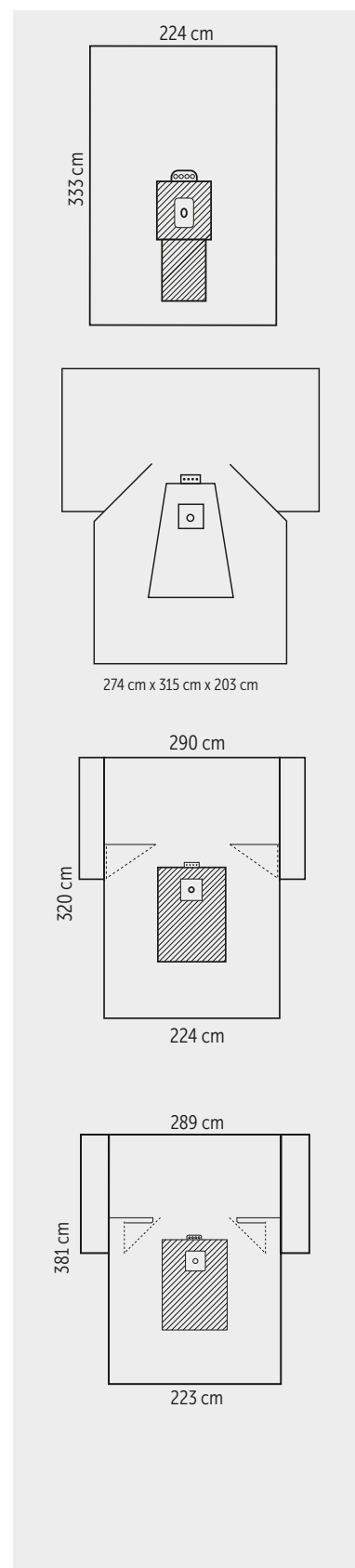
- Armboard Covers
- Conformable Circular Fenestration 6 cm
- Heavy-Duty Fabric
- CONTROL* Plus Fabric Reinforcement 91 x 122 cm
- Tube Holders

CODE	DESCRIPTION	ITEMS/CASE
89278	ORTHOARTS* Lower Extremity Drape, Sterile	7
13233	ORTHOARTS* Lower Extremity Drape, Non-Sterile - handi-bin	84

ORTHOARTS* EXTRA LONG LOWER EXTREMITY DRAPE, 289 X 381 X 223 CM

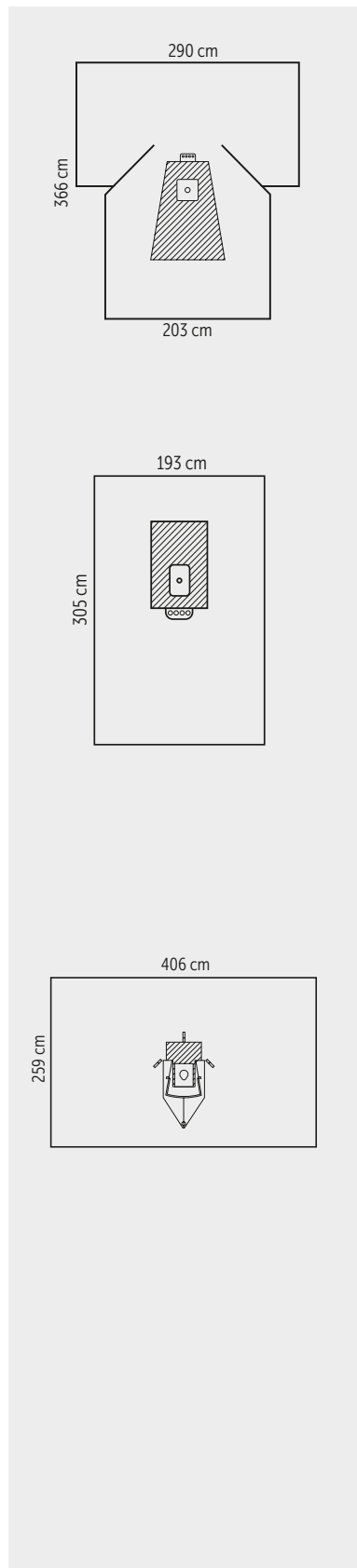
- Heavy-duty SMS
- Absorbent CONTROL* Plus fabric reinforcement
- Elastic film with 6 cm circular fenestration
- Armboard covers
- Tube holders
- Extra length for coverage where needed

CODE	DESCRIPTION	ITEMS/CASE
29219	ORTHOARTS* Extra Long Lower Extremity Drape, Sterile	8
29220	ORTHOARTS* Extra Long Lower Extremity Drape, Non-Sterile	8



All codes in **bold** indicate a sterile product.

ORTHOPAEDIC DRAPES



EXTRA LONG LOWER EXTREMITY DRAPE, 290 X 366 X 203 CM

- Heavy-duty SMS
- Absorbent CONTROL⁺ Plus fabric reinforcement
- Elastic film with 6 cm circular fenestration
- Armboard covers
- Tube holders
- Extra length for coverage where needed

CODE	DESCRIPTION	ITEMS/CASE
29223	Extra Long Lower Extremity Drape, Non-Sterile	14

UPPER EXTREMITY DRAPES

UPPER EXTREMITY DRAPE, 193 X 305 CM

- CONTROL⁺ Plus Fabric Reinforcement 61 x 102 cm
- Conformable Circular Fenestration 3 cm
- Tube Holders

CODE	DESCRIPTION	ITEMS/CASE
89271	Upper Extremity Drape, Sterile	14
79273	Upper Extremity Drape, Non-Sterile	20

SHOULDER DRAPES

SHOULDER ARTHROSCOPY DRAPE, 406 X 259 CM

- Attached Fluid Collection Pouch with Suction Port
- Hook and Loop Tube and Line Control
- Conformable Tear Drop Fenestration 6 cm
- Instrument Pad Fabric Reinforcement 53 x 66 cm

CODE	DESCRIPTION	ITEMS/CASE
89070	Shoulder Arthroscopy Drape, Sterile	10
79070	Shoulder Arthroscopy Drape, Non-Sterile	12

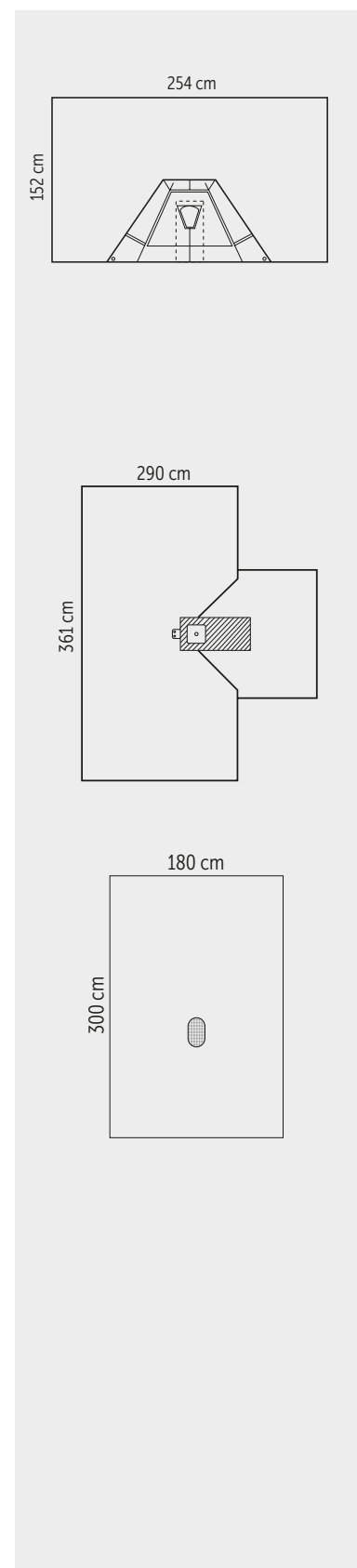
All codes in **bold** indicate a sterile product.

ORTHOPAEDIC DRAPES

ORTHOARTS* SHOULDER ARTHROSCOPY DRAPE, 254 X 152 CM

- Attached Fluid Collection Pouch with Suction Ports
- Heavy-Duty Fabric
- Positioning Tape

CODE	DESCRIPTION	ITEMS/CASE
89492	ORTHOARTS* Shoulder Arthroscopy Drape, Sterile	12
79492	ORTHOARTS* Shoulder Arthroscopy Drape, Non-Sterile	15



HAND DRAPES

HAND DRAPE, 290 X 361 CM

- CONTROL* Plus Fabric Reinforcement 86 x 41 cm
- Gusseted Hand Table Cover 157 x 147 cm
- Tube Holders
- Conformable Circular Fenestration 3 cm
- Positioning Tape

CODE	DESCRIPTION	ITEMS/CASE
77450	Hand Drape, Sterile	11
13227	Hand Drape, Non-Sterile - handi-bin	108

HALYARD BASICS* HAND & FOOT DRAPE, 180 X 300 CM

- Conformable Circular Fenestration 3 cm, centered
- Spunbond Film

CODE	DESCRIPTION	ITEMS/CASE
89673	HALYARD BASICS* Hand & Foot Drape, Sterile	20
79675	HALYARD BASICS* Hand & Foot Drape, Non-Sterile	30

All codes in **bold** indicate a sterile product.

ORTHOPAEDIC DRAPES

HIP DRAPES

ORTHOARTS* HIP DRAPE, 290 X 320 X 224 CM

- Armboard Covers
- Conformable Teardrop Fenestration 21 x 17 cm
- Heavy-Duty Fabric
- CONTROL* Plus Fabric Reinforcement 152 x 61 cm
- Tube Holders

CODE	DESCRIPTION	ITEMS/CASE
89346	ORTHOARTS* Hip Drape, Sterile	7
79346	ORTHOARTS* Hip Drape, Non-Sterile	7

ORTHOARTS* HIP DRAPE WITH POCKETS, 290 X 320 X 224 CM

- Pockets on Both Sides
- Armboard Covers
- Conformable Teardrop Fenestration 21 x 17 cm
- Heavy-Duty Fabric
- CONTROL* Plus Fabric Reinforcement 61 x 152 cm
- Tube Holders

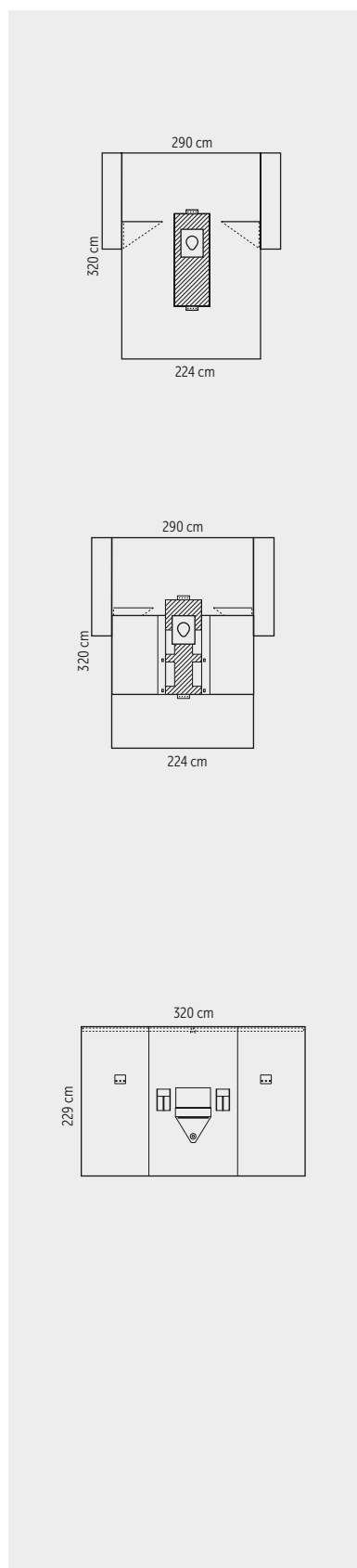
CODE	DESCRIPTION	ITEMS/CASE
89345	ORTHOARTS* Hip Drape with Pockets, Sterile	6
79345	ORTHOARTS* Hip Drape with Pockets, Non-Sterile	6

VERTICAL ISOLATION DRAPES

VERTICAL ISOLATION DRAPE, 320 X 229 CM

- Clear Film
- Adhesive Incise Area 41 x 76 cm
- Fluid Collection Pouch with Suction Port
- Tube Holders
- With Tape Strip for Attachment to Horizontal Rod
- Attachable Instrument Pouch

CODE	DESCRIPTION	ITEMS/CASE
7723	Vertical Isolation Drape, Sterile	14
76375	Vertical Isolation Drape, Non-Sterile	15



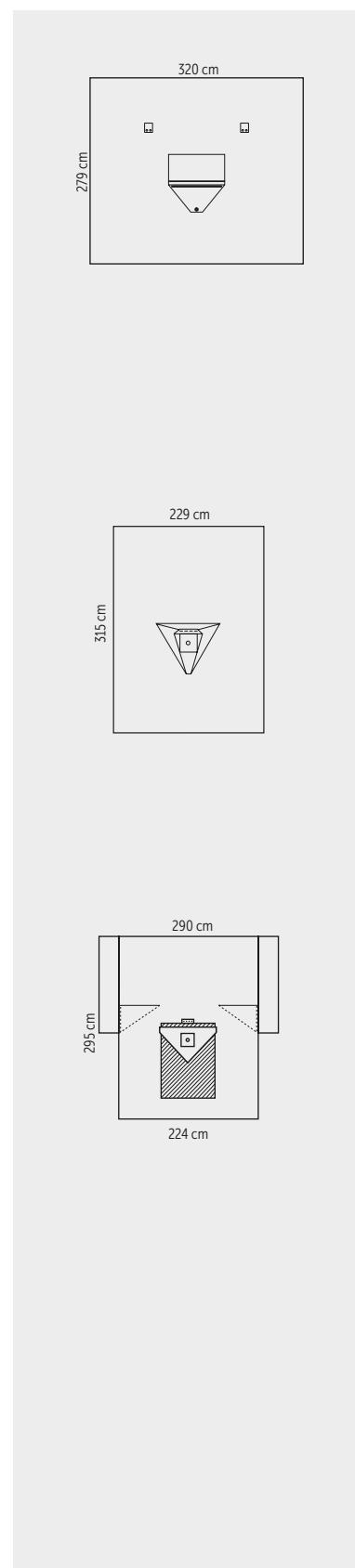
All codes in **bold** indicate a sterile product.

ORTHOPAEDIC DRAPES

VERTICAL ISOLATION DRAPE, 320 X 279 CM

- Clear Film
- Adhesive Incise Area
- Fluid Collection Pouch with Suction Port
- Tube Holders
- With Tape Strip for Attachment to Horizontal Rod

CODE	DESCRIPTION	ITEMS/CASE
33415	Vertical Isolation Drape, Sterile	9
33412	Vertical Isolation Drape, Non-Sterile	11



KNEE ARTHROSCOPY DRAPES

KNEE ARTHROSCOPY DRAPE, 229 X 315 CM

- Attached Fluid Collection Pouch with Suction Port
- Conformable Circular Fenestration 6 cm
- Tube Holders

CODE	DESCRIPTION	ITEMS/CASE
89265	Knee Arthroscopy Drape, Sterile	10
79265	Knee Arthroscopy Drape, Non-Sterile	150

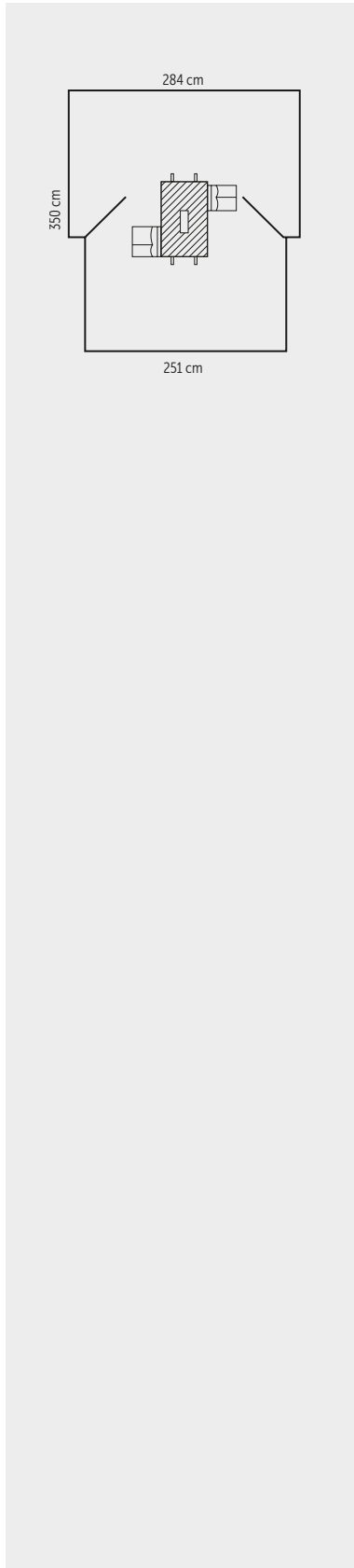
ORTHOARTS* KNEE ARTHROSCOPY DRAPE, 290 X 295 X 224 CM

- Armboard Covers
- Fluid Collection Pouch with Reflux Shields and Suction Port
- Heavy-Duty Fabric
- CONTROL* Plus Fabric Reinforcement 91 x 121 cm
- Tube Holders

CODE	DESCRIPTION	ITEMS/CASE
89267	ORTHOARTS* Knee Arthroscopy Drape, Sterile	7
79267	ORTHOARTS* Knee Arthroscopy Drape, Non-Sterile	7

All codes in **bold** indicate a sterile product.

ORTHOPAEDIC DRAPES



UNIVERSAL SPINE DRAPES

UNIVERSAL SPINE DRAPE, 284 X 350 X 251 CM

- SMS
- Absorbent CONTROL* Plus fabric reinforcement
- 10 x 30 cm fenestration
- Armboard covers
- Hook-n-loop tube holders
- Clear instrument pouch

CODE	DESCRIPTION	ITEMS/CASE
29221	Universal Spine Drape, Sterile	8
29224	Universal Spine Drape, Non-Sterile	9

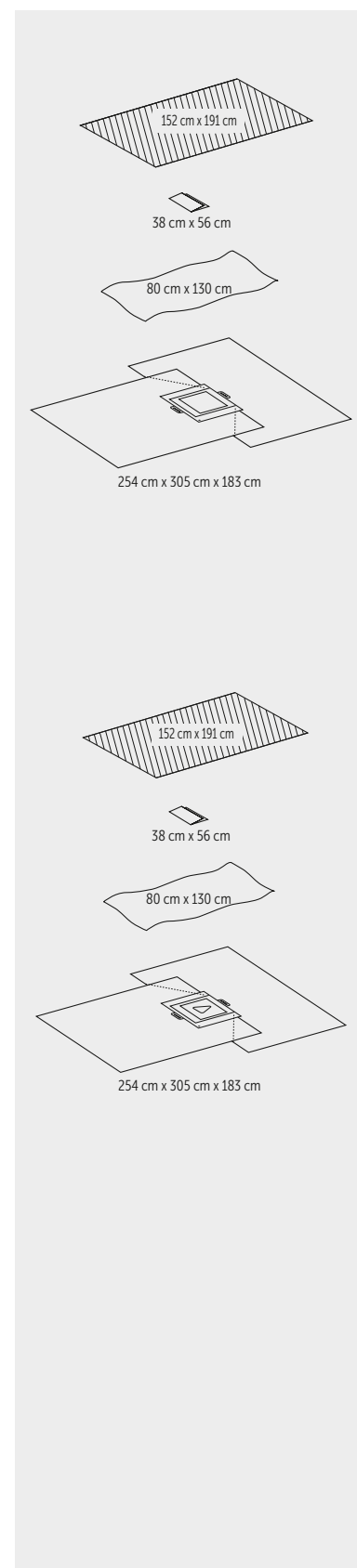
All codes in **bold** indicate a sterile product.

GYNAECOLOGY & OBSTETRICS

GYNAECOLOGY & OBSTETRICS PACKS

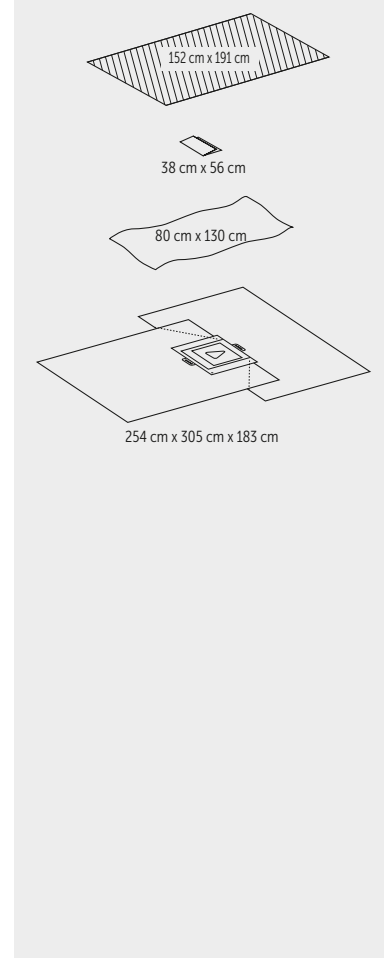
C-SECTION PACK I

CODE	DESCRIPTION	ITEMS/CASE
77454	C-Section Pack I	9
STERILE	NON-STERILE	CONTENTS
-	-	1 Sterilisation Wrap 96 x 96 cm
42222	42428	1 Back Table Cover, Reinforced 152 x 191 cm
89701	79720	1 Absorbent Towel 38 x 56 cm
-	76394	1 Baby Blanket 80 x 130 cm: • Absorbent
89529	79529	1 C-Section Fluid Collection Drape 254 x 305 x 183 cm: • Full Adhesive Incise Area • Fluid Collection Pouch with Suction Port and Malleable Band • Armboard Covers • Tube Holders



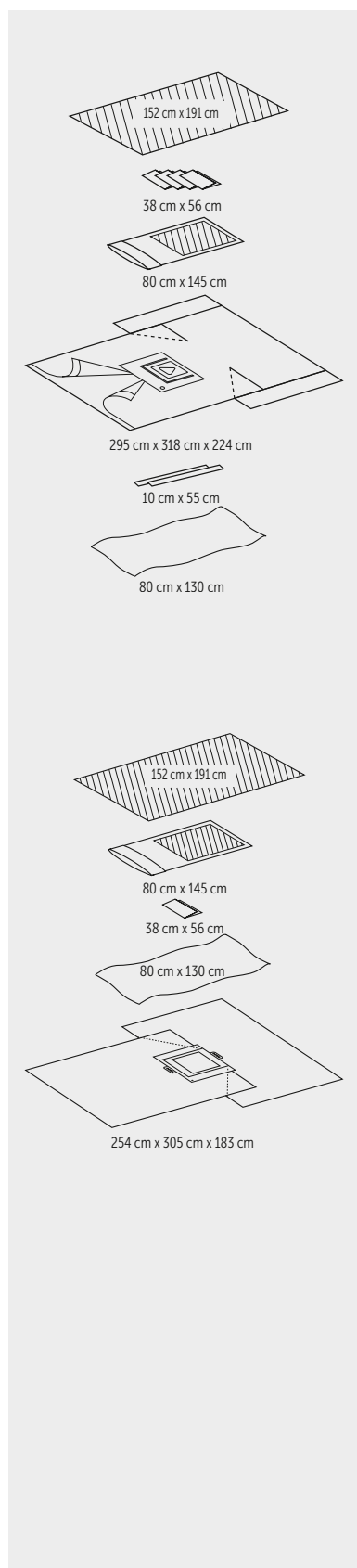
C-SECTION PACK II

CODE	DESCRIPTION	ITEMS/CASE
77455	C-Section Pack II	8
STERILE	NON-STERILE	CONTENTS
-	-	1 Sterilisation Wrap 96 x 96 cm
42222	42428	1 Back Table Cover, Reinforced 152 x 191 cm
89701	79720	1 Absorbent Towel 38 x 56 cm
-	76394	1 Baby Blanket 80 x 130 cm: • Absorbent
89528	79528	1 C-Section Fluid Collection Drape 254 x 305 x 183 cm: • Triangular Fenestrated Adhesive Incise Area • Fluid Collection Pouch with Suction Port and Malleable Band • Armboard Covers • Tube Holders



All codes in **bold** indicate a sterile product.

GYNAECOLOGY & OBSTETRICS PACKS



C-SECTION PACK III

CODE	DESCRIPTION		ITEMS/CASE
88354	C-Section Pack III		11
	STERILE	NON-STERILE	CONTENTS
	42222	42428	1 Back Table Cover, Reinforced 152 x 191 cm
	89603	79603	1 Mayo Stand Cover 80 x 145 cm
	89701	79720	4 Absorbent Towels 38 x 56 cm
	77353	76353	1 C-Section Drape with Attached Leggings 295 x 318 x 224 cm: <ul style="list-style-type: none"> • Armboard Covers • Attached Leggings • 36 x 33 cm Adhesive Incise Area with Triangular Fenestration • Fluid Collection Pouch with Suction Port
	-	76394	1 Baby Blanket 80 x 130 cm: <ul style="list-style-type: none"> • Absorbent
	89053	79053	2 Tape Strips 10 x 55 cm

C-SECTION PACK IV

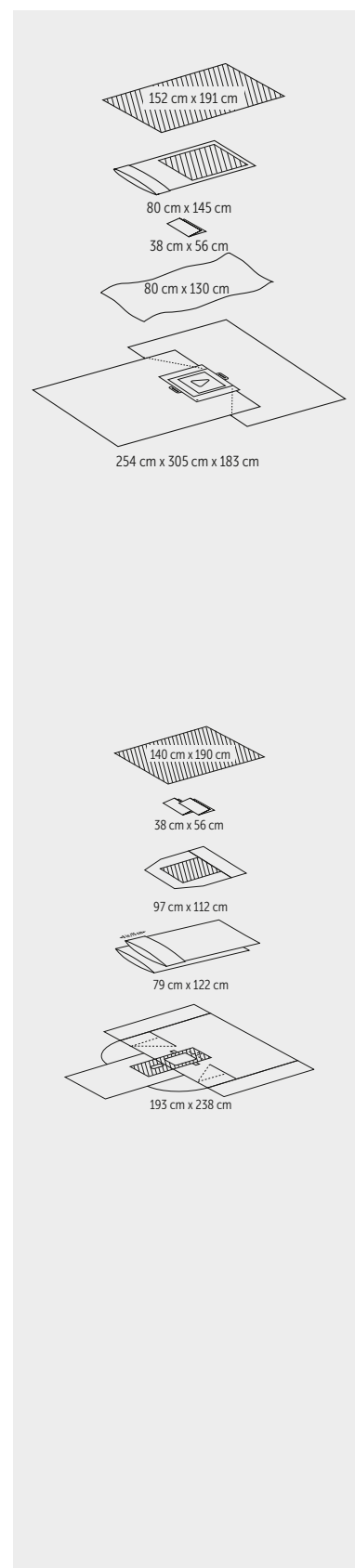
CODE	DESCRIPTION		ITEMS/CASE
77491	C-Section Pack IV		10
	STERILE	NON-STERILE	CONTENTS
	-	-	1 Sterilisation Wrap 96 x 96 cm
	42222	42428	1 Back Table Cover, Reinforced 152 x 191 cm
	89603	79603	1 Mayo Stand Cover 80 x 145 cm
	89701	79720	1 Absorbent Towel 38 x 56 cm
	-	76394	1 Baby Blanket 80 x 130 cm: <ul style="list-style-type: none"> • Absorbent
	89529	79529	1 C-Section Fluid Collection Drape 254 x 305 x 183 cm: <ul style="list-style-type: none"> • Full Adhesive Incise Area • Fluid Collection Pouch with Suction Port and Malleable Band • Armboard Covers • Tube Holders

All codes in **bold** indicate a sterile product.

GYNAECOLOGY & OBSTETRICS PACKS

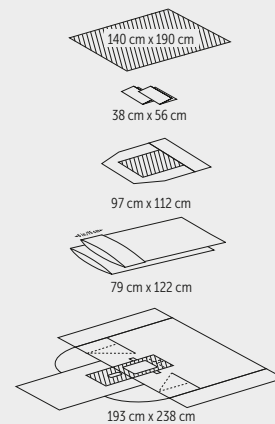
C-SECTION PACK V

CODE	DESCRIPTION		ITEMS/CASE
77492	C-Section Pack V		8
STERILE	NON-STERILE	CONTENTS	
-	-	1 Sterilisation Wrap 96 x 96 cm	
42222	42428	1 Back Table Cover, Reinforced 152 x 191 cm	
89603	79603	1 Mayo Stand Cover 80 x 145 cm	
89701	79720	1 Absorbent Towel 38 x 56 cm	
-	76394	1 Baby Blanket 80 x 130 cm: • Absorbent	
89528	79528	1 C-Section Fluid Collection Drape 254 x 305 x 183 cm: • Triangular Fenestrated Adhesive Incise Area • Fluid Collection Pouch with Suction Port and Malleable Band • Armboard Covers • Tube Holders	



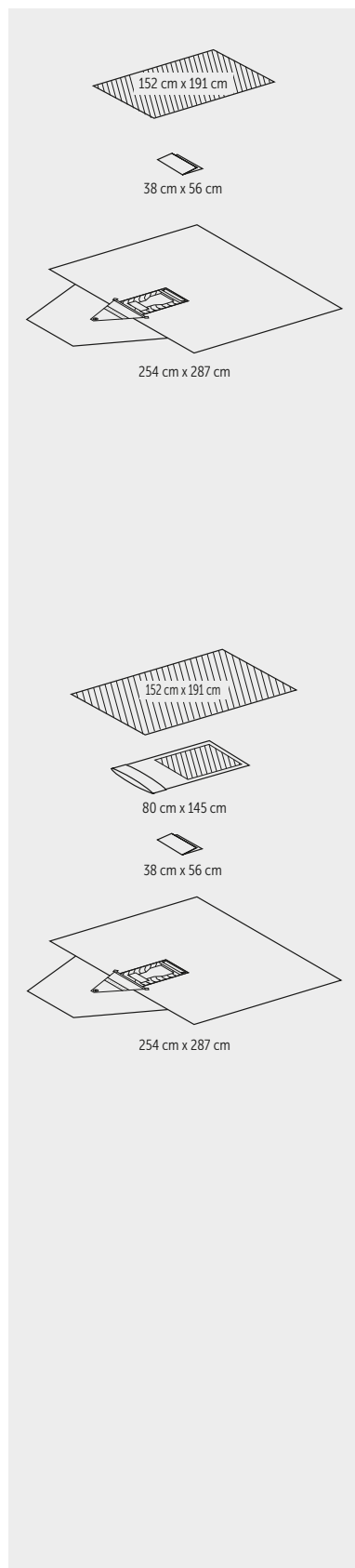
GYNAECOLOGY PACK

CODE	DESCRIPTION		ITEMS/CASE
77865	Gynaecology Pack		10
STERILE	NON-STERILE	CONTENTS	
-	-	1 Sterilisation Wrap 96 x 96 cm	
42345	42365	1 Back Table Cover, Reinforced 140 x 190 cm	
89701	79720	2 Absorbent Towels 38 x 56 cm	
-	79411	1 Under Buttocks Drape, Zone Reinforced, Medium, 97 x 112 cm	
89408	79408	2 Leggings 79 x 122 cm: • With 15 cm Cuff	
-	-	1 Coelioscopy Sheet 193 x 238 cm	



All codes in **bold** indicate a sterile product.

GYNAECOLOGY & OBSTETRICS PACKS



GYNAECOLOGY/UROLOGY PACK I

CODE	DESCRIPTION	ITEMS/CASE
77888	Gynaecology/Urology Pack I	12
STERILE	NON-STERILE	CONTENTS
-	-	1 Sterilisation Wrap 96 x 96 cm
42222	42428	1 Back Table Cover, Reinforced 152 x 191 cm
89701	79720	1 Absorbent Towel 38 x 56 cm
-	76888	1 Gynaecology/Urology Drape 254 x 287 cm: <ul style="list-style-type: none"> • Adjustable Fenestration with Flap • Fluid Collection Pouch with Screen and Suction Port • With Attached Leggings • Perineal Incise Film • CONTROL* Fabric Reinforcement • Positioning Tape

GYNAECOLOGY/UROLOGY PACK II

CODE	DESCRIPTION	ITEMS/CASE
77890	Gynaecology/Urology Pack II	11
STERILE	NON-STERILE	CONTENTS
-	-	1 Sterilisation Wrap 96 x 96 cm
42222	42428	1 Back Table Cover, Reinforced 152 x 191 cm
89603	79603	1 Mayo Stand Cover 80 x 145 cm
89701	79720	1 Absorbent Towel 38 x 56 cm
-	76888	1 Gynaecology/Urology Drape 254 x 287 cm: <ul style="list-style-type: none"> • Adjustable Fenestration with Flap • Fluid Collection Pouch with Screen and Suction Port • With Attached Leggings • Perineal Incise Film • CONTROL* Fabric Reinforcement • Positioning Tape

All codes in **bold** indicate a sterile product.

GYNAECOLOGY & OBSTETRICS PACKS

LITHOTOMY PACK I

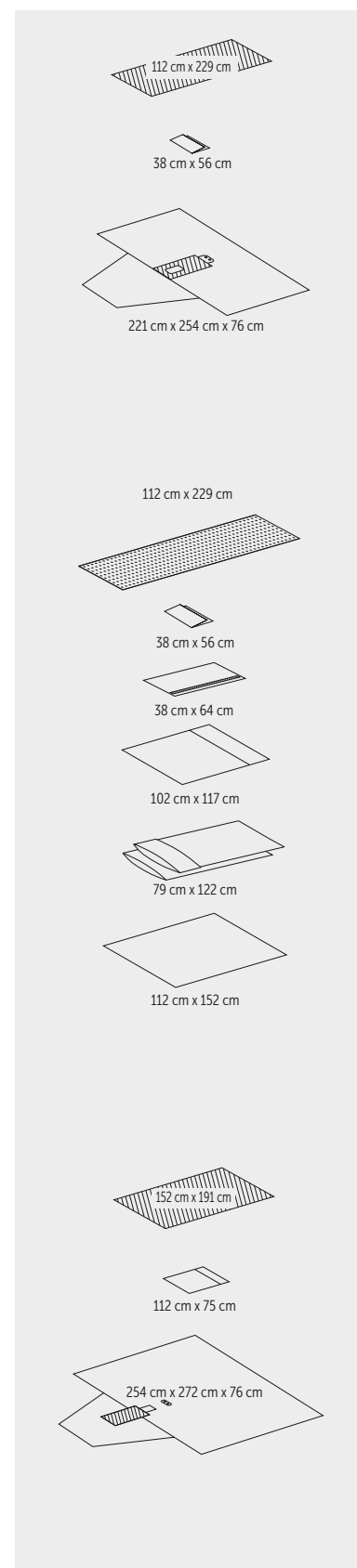
CODE	DESCRIPTION		ITEMS/CASE
88511	Lithotomy Pack I		10
STERILE	NON-STERILE	CONTENTS	
42217	42448	1 Back Table Cover, Reinforced 112 x 229 cm	
89701	79720	1 Absorbent Towel 38 x 56 cm	
-	-	1 Lithotomy Drape with Attached Leggings, 221 x 254 x 76 cm: <ul style="list-style-type: none"> • 15 x 7 cm Perineal Fenestration • Positioning Tape • CONTROL* Fabric Reinforcement • Tube Holders 	

LITHOTOMY PACK II

CODE	DESCRIPTION		ITEMS/CASE
88521	Lithotomy Pack II		10
STERILE	NON-STERILE	CONTENTS	
42217	42448	1 Back Table Cover, Reinforced 112 x 229 cm	
89701	79720	1 Absorbent Towel 38 x 56 cm	
-	79731	1 Utility Drape with Tape, 38 x 64 cm	
-	-	1 Under Buttocks Drape, Zone Reinforced, Medium 102 x 117 cm	
89408	79408	2 Leggings 79 x 122 cm: <ul style="list-style-type: none"> • With 15 cm Cuff 	
89101	79102	1 Half Drape 112 x 152 cm	

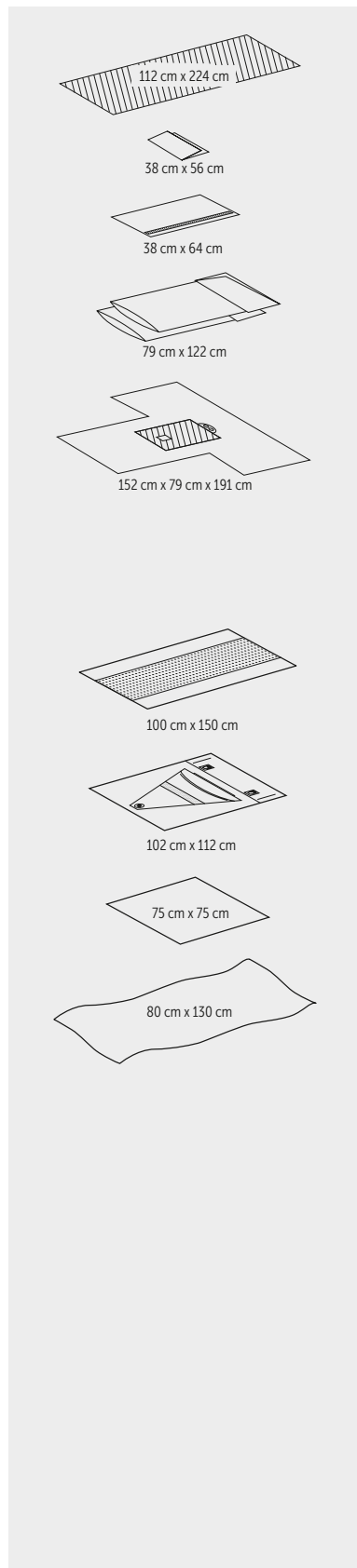
LITHOTOMY PACK IV

CODE	DESCRIPTION		ITEMS/CASE
77779	Lithotomy Pack IV		12
STERILE	NON-STERILE	CONTENTS	
-	-	1 Sterilisation Wrap 89 x 89 cm	
42222	42428	1 Back Table Cover, Reinforced 152 x 191 cm	
89411	-	1 Under Buttocks Drape, Zone Reinforced, Medium 112 x 75 cm	
-	76384	1 Lithotomy Drape with Attached Leggings, 254 x 272 x 76 cm: <ul style="list-style-type: none"> • Tape around Fenestration • CONTROL* Plus Fabric Reinforcement • Tube Holders 	



All codes in **bold** indicate a sterile product.

GYNAECOLOGY & OBSTETRICS PACKS



LITHOTOMY PACK V

CODE	DESCRIPTION		ITEMS/CASE
88551	Lithotomy Pack V		12
	STERILE	NON-STERILE	CONTENTS
-		42302	1 Back Table Cover, Reinforced 112 x 224 cm
89701		79720	1 Absorbent Towel 38 x 56 cm
-		79731	1 Utility Drape with Tape, 38 x 64 cm
89408		79408	2 Leggings 79 x 122 cm: • With 15 cm Cuff
-		79551	1 Lithotomy T-Drape 152 x 79 x 191 cm: • 7 x 15 cm Fenestration • Positioning Tape • CONTROL* Fabric Reinforcement • Tube Holders

HALYARD BASICS* DELIVERY PACK

CODE	DESCRIPTION		ITEMS/CASE
88911	HALYARD BASICS* Delivery Pack		5
	STERILE	NON-STERILE	CONTENTS
89632		79741	1 Back Table Cover, Zone Reinforced 100 x 150 cm
89677		79699	1 Utility Drape 75 x 75 cm
89584		-	1 Under Buttocks Drape 102 x 112 cm: • With Graduated Fluid Collection Pouch • Spunbond
-		-	1 Baby Blanket

All codes in **bold** indicate a sterile product.

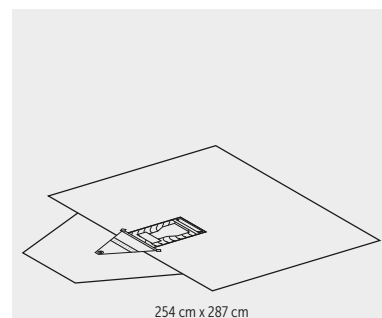
GYNAECOLOGY & OBSTETRICS DRAPES

GYNAECOLOGY/UROLOGY DRAPES

GYNAECOLOGY/UROLOGY DRAPE, 254 X 287 CM

- Perineal Incise Film
- Fluid Collection Pouch with Screen and Suction Port
- CONTROL* Fabric Reinforcement 39 x 72 cm
- Adjustable Fenestration with Flap
- Attached Leggings
- Positioning Tape

CODE	DESCRIPTION	ITEMS/CASE
76888	Gynaecology/Urology Drape, Non-Sterile	22

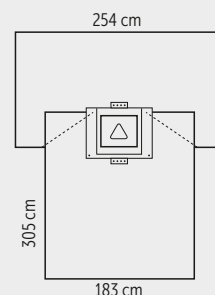


C-SECTION DRAPES

C-SECTION FLUID COLLECTION DRAPE, 254 X 305 X 183 CM

- Triangular Fenestrated Adhesive Incise Area
- Fluid Collection Pouch with Suction Port and Malleable Band
- Tube Holders
- Armboard Covers

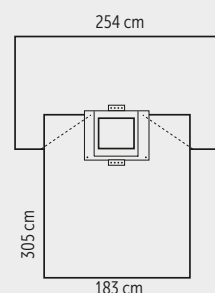
CODE	DESCRIPTION	ITEMS/CASE
89528	C-Section Fluid Collection Drape with Fenestration, Sterile	8
79528	C-Section Fluid Collection Drape with Fenestration, Non-Sterile	150



C-SECTION FLUID COLLECTION DRAPE, 254 X 305 X 183 CM

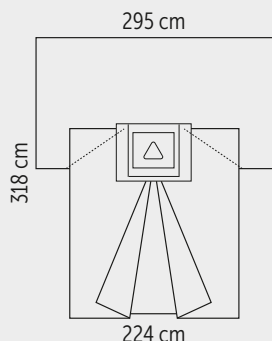
- Full Adhesive Incise Area
- Fluid Collection Pouch with Suction Port and Malleable Band
- Tube Holders
- Armboard Covers

CODE	DESCRIPTION	ITEMS/CASE
89529	C-Section Fluid Collection Drape, Sterile	8
79529	C-Section Fluid Collection Drape, Non-Sterile	150



All codes in **bold** indicate a sterile product.

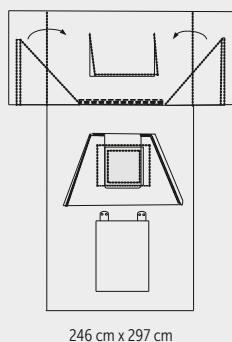
GYNAECOLOGY & OBSTETRICS DRAPES



C-SECTION DRAPE WITH ATTACHED LEGGINGS, 295 X 318 X 224 CM

- Armboard Covers
- Attached Leggings 36 x 33 cm
- Adhesive Incise Area with Triangular Fenestration
- Fluid Collection Pouch with Suction Port

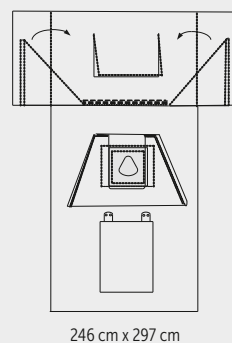
CODE	DESCRIPTION	ITEMS/CASE
77353	C-Section Drape with Attached Leggings, Sterile	18
76353	C-Section Drape with Attached Leggings, Non-Sterile	112



GENTLE C-SECTION DRAPE WITH FLUID COLLECTION POUCH, 246 X 297 CM

- SMS
- CONTROL* Fabric Reinforcement 43 x 56 cm
- Fluid Collection Pouch
- Full Incise
- Window Fenestration 39.4 x 49.5 cm
- Fenestration 43.2 x 38.1 cm
- Two Flaps 76.2 x 63.5 cm
- Tube Holders
- Positioning Tape

CODE	DESCRIPTION	ITEMS/CASE
K897213	Gentle C-Section Drape with Fluid Collection Pouch, Sterile	15
K797213	Gentle C-Section Drape with Fluid Collection Pouch, Non-Sterile	20



GENTLE C-SECTION DRAPE WITH FLUID COLLECTION POUCH, 246 X 297 CM

- SMS
- CONTROL* Fabric Reinforcement 43 x 56 cm
- Fluid Collection Pouch
- 22.9 x 17.8 cm Incise Triangle Fenestration
- Window Fenestration 39.4 x 49.5 cm
- Two Flaps 76.2 x 63.5 cm
- Tube Holders

CODE	DESCRIPTION	ITEMS/CASE
K897215	Gentle C-Section Drape with Fluid Collection Pouch, Sterile	15
K797215	Gentle C-Section Drape with Fluid Collection Pouch, Non-Sterile	18

All codes in **bold** indicate a sterile product.

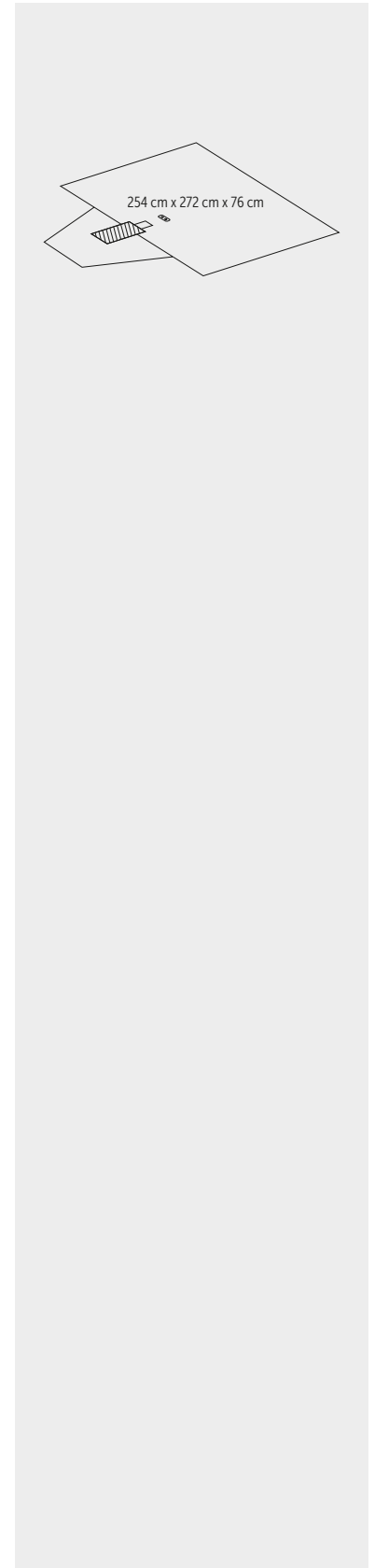
GYNAECOLOGY & OBSTETRICS DRAPES

LITHOTOMY DRAPES

LITHOTOMY DRAPE WITH ATTACHED LEGGINGS, 254 X 272 X 76 CM

- CONTROL* Plus Fabric Reinforcement 61 x 27 cm
- Tape around Fenestration
- Tube Holders

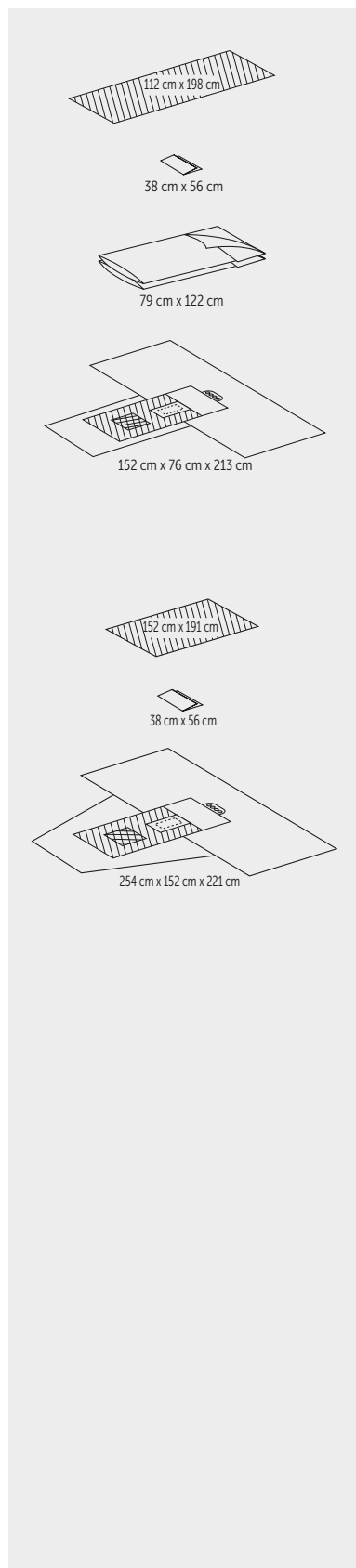
CODE	DESCRIPTION	ITEMS/CASE
76384	Lithotomy Drape with Attached Leggings, Non-Sterile	11



All codes in **bold** indicate a sterile product.

UROLOGY

UROLOGY PACKS



CYSTOSCOPY PACK I

CODE	DESCRIPTION		ITEMS/CASE
88611	Cystoscopy Pack I		12
	STERILE	NON-STERILE	CONTENTS
	-	42447	1 Back Table Cover, Reinforced 112 x 198 cm
	89701	79720	1 Absorbent Towel 38 x 56 cm
	89408	79408	2 Leggings 79 x 122 cm: • With 15 cm Cuff
	-	79540	1 Cystoscopy T-Drape 152 x 76 x 213 cm: • Perineal Fenestration 7 x 15 cm • 22 x 22 cm Screen • Positioning Tape • CONTROL* Fabric Reinforcement • Tube Holders

CYSTOSCOPY PACK II

CODE	DESCRIPTION		ITEMS/CASE
88621	Cystoscopy Pack II		12
	STERILE	NON-STERILE	CONTENTS
	42222	42428	1 Back Table Cover, Reinforced 152 x 191 cm
	89701	79720	1 Absorbent Towel 38 x 56 cm
	-	79545	1 Cystoscopy Drape 254 x 152 x 221 cm: • With Attached Leggings • Perineal Fenestration 7 x 15 cm • 22 x 22 cm Screen • Positioning Tape • CONTROL* Fabric Reinforcement • Tube Holders

All codes in **bold** indicate a sterile product.

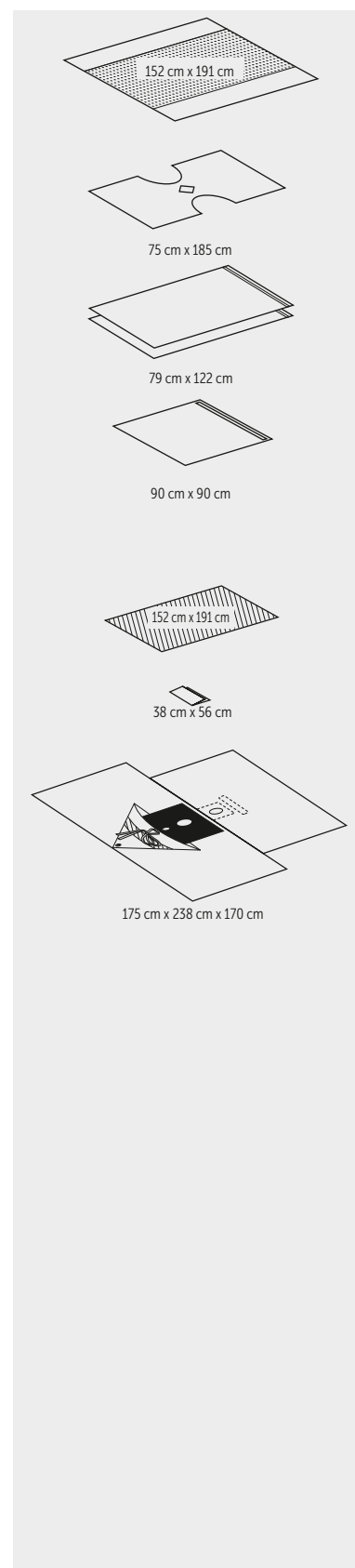
UROLOGY PACKS

HALYARD BASICS* CYSTOSCOPY PACK

CODE	DESCRIPTION		ITEMS/CASE
89681	HALYARD BASICS* Cystoscopy Pack		10
	STERILE	NON-STERILE	CONTENTS
88673		78669	1 Back Table Cover, Zone Reinforced 152 x 191 cm
-		-	2 Leggings 79 x 122 cm
89679		79783	1 Utility Drape with Tape 90 x 90 cm: • Spunbond Film
-		79742	1 Cystoscopy Drape, 75 x 185 cm: • Diamond Fenestration 5.5 x 12.5 cm • Spunbond Film

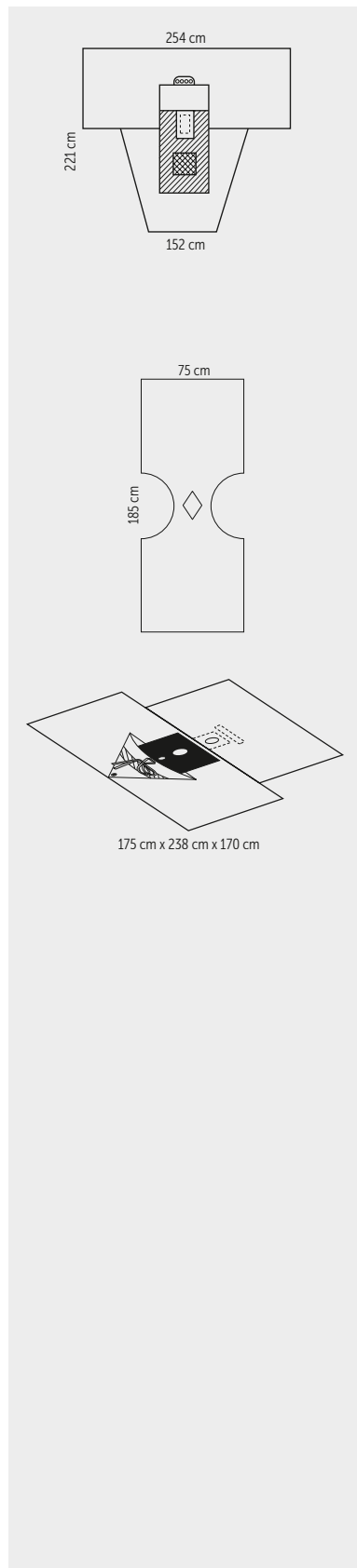
T.U.R. PACK

CODE	DESCRIPTION		ITEMS/CASE
77885	T.U.R. Pack		12
	STERILE	NON-STERILE	CONTENTS
-		-	1 Sterilisation Wrap 96 x 96 cm
42222		42428	1 Back Table Cover, Reinforced 152 x 191 cm
89701		79720	1 Absorbent Towel 38 x 56 cm
-		76885	1 T.U.R. Drape 175 x 238 x 170 cm: • With Attached Leggings • Fluid Collection Pouch with Screen, Suction Port and Tie • With Finger Cot



All codes in **bold** indicate a sterile product.

UROLOGY DRAPES



CYSTOSCOPY DRAPE, 254 X 221 X 152 CM

- CONTROL* Plus Fabric Reinforcement 40 x 22 cm & Poly Reinforcement 40 x 101 cm
- Attached Leggings
- Fenestration 7 x 15 cm
- Screen 22 x 22 cm

CODE	DESCRIPTION	ITEMS/CASE
79545	Cystoscopy Drape, Non-Sterile	20

HALYARD BASICS* CYSTOSCOPY DRAPE, 75 X 185 CM

- Diamond Fenestration 5.5 x 12.5 cm
- Spunbond Film

CODE	DESCRIPTION	ITEMS/CASE
79742	HALYARD BASICS* Cystoscopy Drape, Non-Sterile	120

T.U.R. DRAPE, 175 X 238 X 170 CM

- With Attached Leggings
- Fluid Collection Pouch with Screen, Suction Port and Tie
- With Finger Cot

CODE	DESCRIPTION	ITEMS/CASE
76885	T.U.R. Drape, Non-Sterile	18

All codes in **bold** indicate a sterile product.

OPHTHALMOLOGY

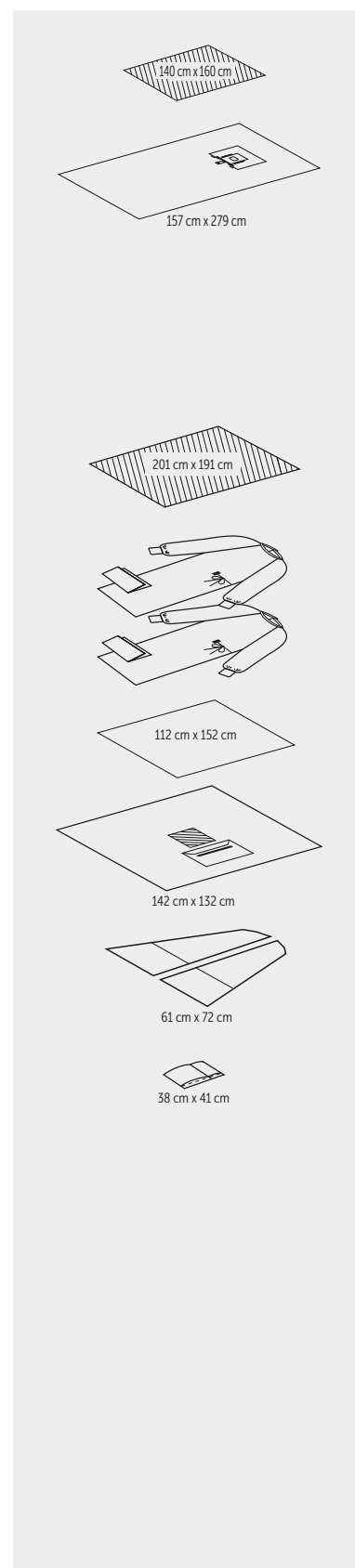
OPHTHALMOLOGY PACKS

EYE PACK

CODE	DESCRIPTION		ITEMS/CASE
77744	Eye Pack		10
	STERILE	NON-STERILE	CONTENTS
	-	-	1 Sterilisation Wrap 89 x 89 cm
	-	-	1 Back Table Cover, 140 x 160 cm, with Tape
	-	-	1 Eye Drape 157 x 279 cm: • With Fluid Collection Pouch

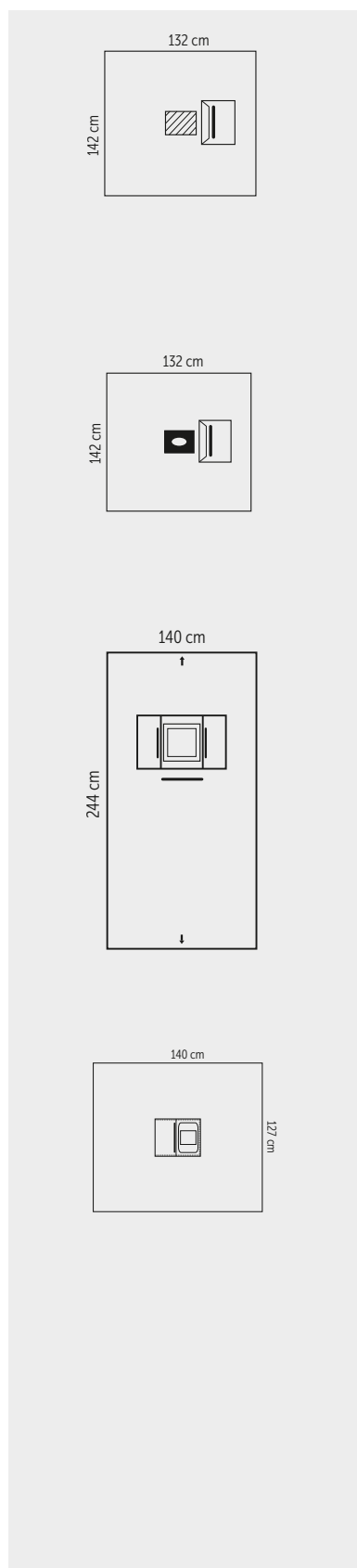
OPHTHALMIC PACK

CODE	DESCRIPTION		ITEMS/CASE
77760	Ophthalmic Pack		8
	STERILE	NON-STERILE	CONTENTS
	42312	42313	1 Back Table Cover, Reinforced 191 x 201 cm
	89101	79102	1 Half Drape 112 x 152 cm
	90013	79973	2 Surgical Gowns Large, X-long
	89701	79720	2 Absorbent Towels 38 x 56 cm
	89304	79304	1 Ophthalmic Drape 132 x 142 cm • With Fluid Collection Pouch • 13 x 9 cm Rectangular Fenestration, with Incise • Eye Wick • Applicable for both Left and Right Eye
	76214	76300	2 Armboard Covers 61 x 72 cm
	89945	79945	1 Diathermy Pouch 38 x 41 cm



All codes in **bold** indicate a sterile product.

OPHTHALMOLOGY DRAPES



OPHTHALMIC DRAPE, 132 X 142 CM

- With One Single Fluid Collection Pouch
- 13 x 9 cm Rectangular Fenestration, with Incise
- Eye Wick (Sterile Version only)
- Applicable for both Left and Right Eye

CODE	DESCRIPTION	ITEMS/CASE
89304	Ophthalmic Drape, Sterile	40
79304	Ophthalmic Drape, Non-Sterile	100

OPHTHALMIC DRAPE, 132 X 142 CM

- With One Single Fluid Collection Pouch
- 8 cm Oval Fenestration, with Apertured Incise 9 x 12.7 cm
- Eye Wick (Sterile Version only)
- Applicable for both Left and Right Eye

CODE	DESCRIPTION	ITEMS/CASE
89305	Ophthalmic Drape, Oval Fenestration, Sterile	40
79305	Ophthalmic Drape, Oval Fenestration, Non-Sterile	100

OPHTHALMIC DRAPE, 140 X 244 CM

- SMS
- 12.7 cm Fenestration
- Incise
- CONTROL* Fabric Reinforcement
- Breather Bar

CODE	DESCRIPTION	ITEMS/CASE
K793040	Ophthalmic Drape, Non-Sterile	50

OPHTHALMIC DRAPE, 140 X 127 CM

- Supadrape Cellulose based Material with Clear Plastic Reinforcement around Fenestration
- With One Single Fluid Collection Pouch
- 11.5 x 8.8 cm Rectangular Fenestration, with Incise
- Applicable for both Left and Right Eye

CODE	DESCRIPTION	ITEMS/CASE
K793043	Ophthalmic Drape, Non-Sterile	110

All codes in **bold** indicate a sterile product.

OPHTHALMOLOGY DRAPES

OPHTHALMIC DRAPE, 176 X 193 CM

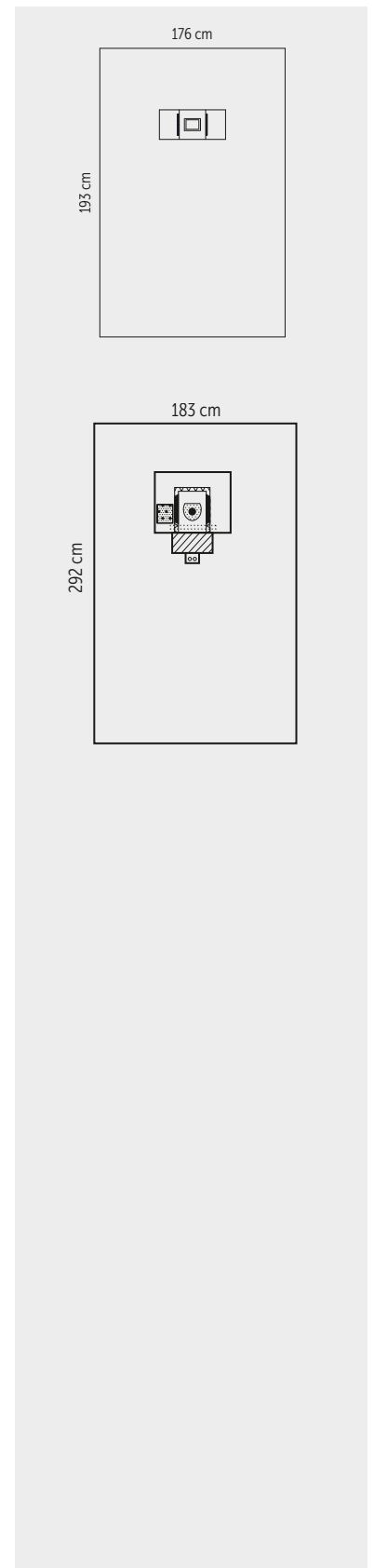
- SMS
- With Fluid Collection Pouch
- Fenestration 7 x 17 cm

CODE	DESCRIPTION	ITEMS/CASE
K793050	Ophthalmic Drape, Non-Sterile	120

OCUARTS* OPHTHALMIC DRAPE, 183 X 292 CM

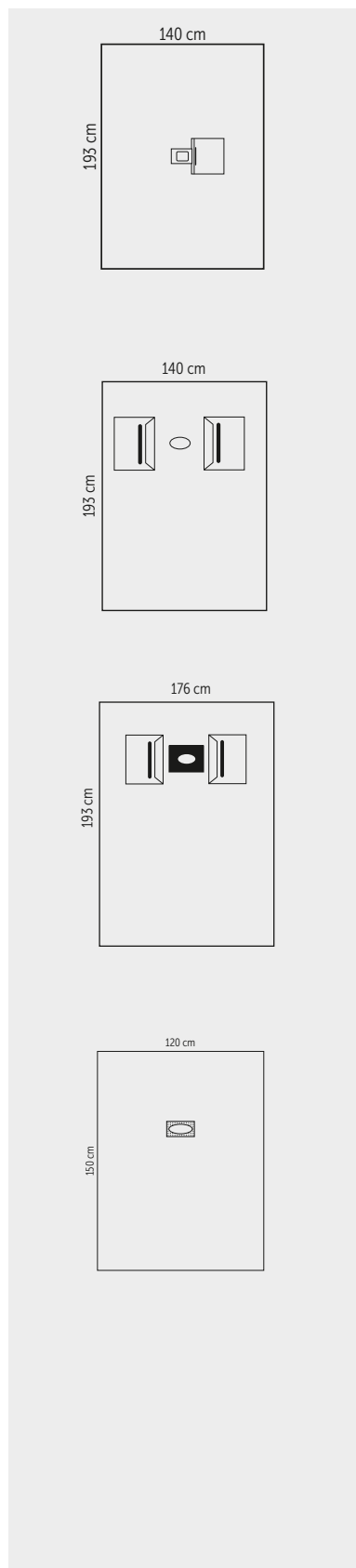
- 3 x 5 cm Oval Fenestration
- 15 x 20 cm Incise
- Fluid Collection Pouch around Fenestration, with Foam Band
- Breather Bar
- Tube Holders

CODE	DESCRIPTION	ITEMS/CASE
79356	OCUARTS* Ophthalmic Drape, Non-Sterile	20



All codes in **bold** indicate a sterile product.

OPHTHALMOLOGY DRAPES



EYE DRAPE, 140 X 193 CM

- With One Single Fluid Collection Pouch
- 7,6 x 10 cm Rectangular Fenestration, with Incise 18 x 13 cm
- Applicable for both Left and Right Eye

CODE	DESCRIPTION	ITEMS/CASE
77873	Eye Drape, Sterile	25
76321	Eye Drape, Non-Sterile	50

EYE DRAPE, 140 X 193 CM

- With Double Fluid Collection Pouches
- 4,5 x 7 cm Oval Fenestration, without Incise
- Positioning Tape

CODE	DESCRIPTION	ITEMS/CASE
77707	Eye Drape, Sterile	30
76346	Eye Drape, Non-Sterile	36

EYE DRAPE, 176 X 193 CM

- With Double Fluid Collection Pouches
- 4,5 x 7 cm Oval Fenestration, with Incise 9,5 x 12 cm

CODE	DESCRIPTION	ITEMS/CASE
59710	Eye Drape, Sterile	28
76393	Eye Drape, Non-Sterile	50

HALYARD BASICS* BILATERAL EYE FENESTRATED DRAPE WITH TAPE, 120 X 150 CM

- Horizontal Rounded Rectangular Fenestration 7 x 16 cm, centered
- Spunbond Film
- Positioning Tape

CODE	DESCRIPTION	ITEMS/CASE
79744	HALYARD BASICS* Bilateral Eye Fenestrated Drape with Tape, Non-Sterile	80

All codes in **bold** indicate a sterile product.

ENT

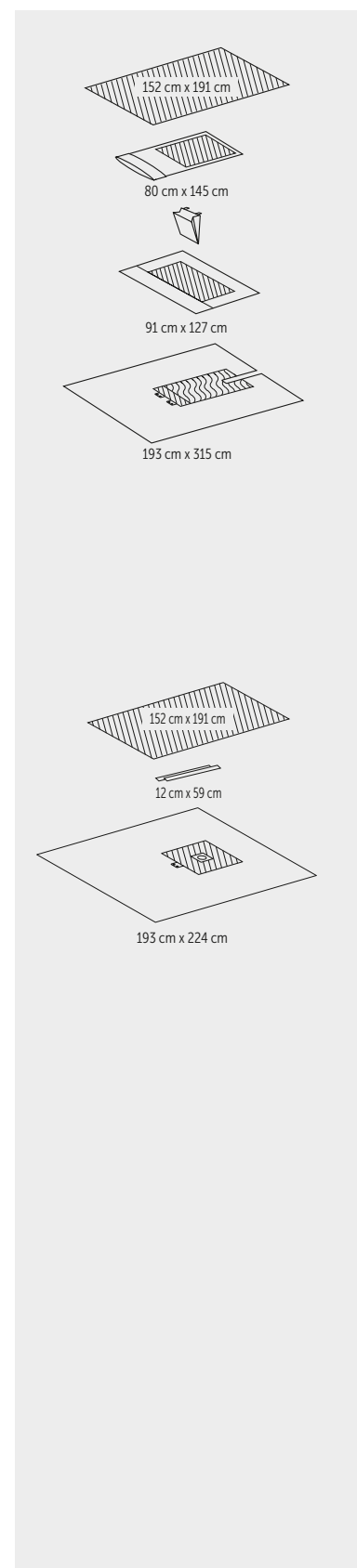
ENT PACKS

ENT PACK III

CODE	DESCRIPTION		ITEMS/CASE
88223	ENT Pack III		6
STERILE	NON-STERILE	CONTENTS	
42222	42428	1 Back Table Cover, Reinforced, 152 x 191 cm	
89603	79603	1 Mayo Stand Cover 80 x 145 cm	
-	-	1 Suture Bag	
-	79430	1 Head Drape 91 x 127 cm: <ul style="list-style-type: none"> • Turban • Positioning Tape 	
89352	79351	1 ENT Split Drape 193 x 315 cm: <ul style="list-style-type: none"> • With 7 x 71 cm Split • Positioning Tape • CONTROL⁺ Fabric Reinforcement • Tube Holders • 2 SMS tube holders 	

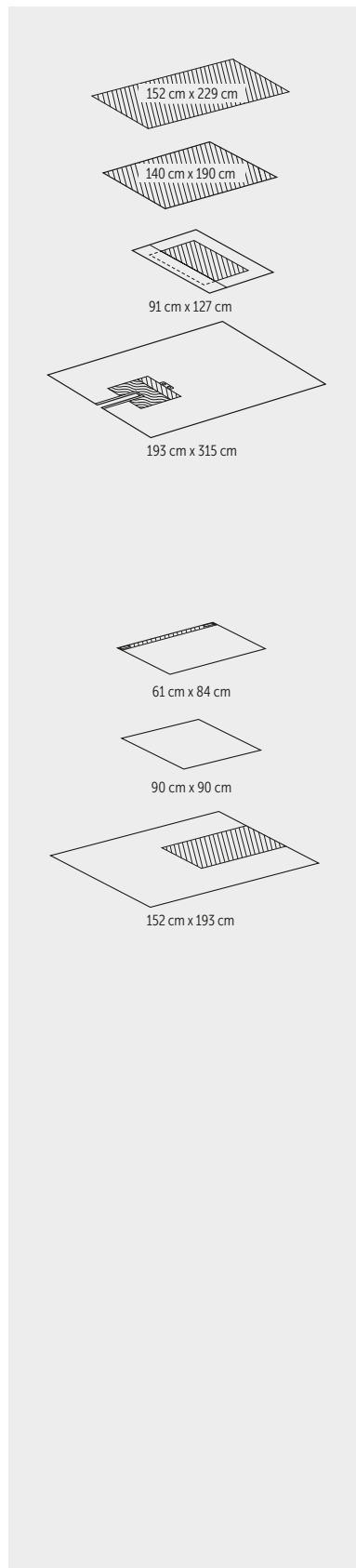
ENT PACK IV

CODE	DESCRIPTION		ITEMS/CASE
77823	ENT Pack IV		10
STERILE	NON-STERILE	CONTENTS	
-	-	1 Sterilisation Wrap 89 x 89 cm	
42222	42428	1 Back Table Cover, Reinforced, 152 x 191 cm	
-	-	2 Iso-Seal Tape Strips 12 x 59 cm	
-	-	1 ENT Drape with Incise, 193 x 224 cm: <ul style="list-style-type: none"> • Incise 15 x 15 cm • With 11 x 11 cm Fenestration • CONTROL⁺ Plus Fabric Reinforcement 	



All codes in **bold** indicate a sterile product.

ENT PACKS



ENT PACK V – HEAD AND NECK

CODE	DESCRIPTION	ITEMS/CASE
76209	ENT Pack V – Head and Neck	7
STERILE	NON-STERILE	CONTENTS
-	-	1 Sterilisation Wrap 89 x 89 cm
42224	42451	1 Back Table Cover, Reinforced, 152 x 229 cm
42345	42365	1 Back Table Cover, Reinforced, 140 x 190 cm
-	79430	1 Head Drape 91 x 127 cm: <ul style="list-style-type: none"> • Turban • Positioning Tape
89352	79351	1 ENT Split Drape 193 x 315 cm: <ul style="list-style-type: none"> • With 7 x 71 cm Split • Positioning Tape • CONTROL* Fabric Reinforcement • Tube Holders

HEAD PACK

CODE	DESCRIPTION	ITEMS/CASE
76234	Head Pack	20
STERILE	NON-STERILE	CONTENTS
-	-	1 Sterilisation Wrap 89 x 89 cm
-	-	1 Three-Quarter Drape 152 x 193 cm
89353	76323	1 Utility Drape 90 x 90 cm
-	-	1 Head Drape, 61 x 84 cm: <ul style="list-style-type: none"> • 5 cm tape over full length

All codes in **bold** indicate a sterile product.

ENT DRAPES

ENT DRAPES

ENT SPLIT DRAPE, 193 X 315 CM

- CONTROL* Fabric Reinforcement 58 x 61 cm
- 7 x 71 cm Split
- Tube Holders
- Positioning Tape

CODE	DESCRIPTION	ITEMS/CASE
89352	ENT Split Drape, Sterile	18
79351	ENT Split Drape, Non-Sterile	25

ENT DRAPE, 193 X 229 CM

- With 5 x 6 cm Fenestration
- CONTROL* Plus Fabric Reinforcement 84 x 81 cm
- Positioning Tape
- Tube Holders

CODE	DESCRIPTION	ITEMS/CASE
89010	ENT Drape, Sterile	18

HEAD DRAPES

HEAD DRAPE, 127 X 91 CM

- Turban
- Positioning Tape

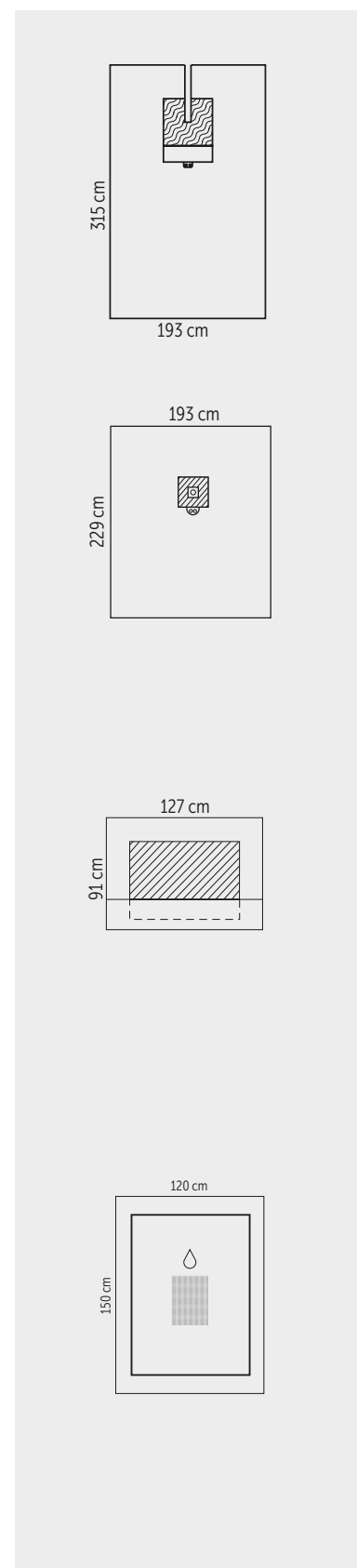
CODE	DESCRIPTION	ITEMS/CASE
79430	Head Drape, Non-Sterile	60

DENTAL DRAPES

HALYARD BASICS* DENTAL FENESTRATED DRAPE, 120 X 150 CM

- Tear Drop Fenestration 10 x 15 cm, 40 cm from top
- SMS
- Absorbent Reinforcement

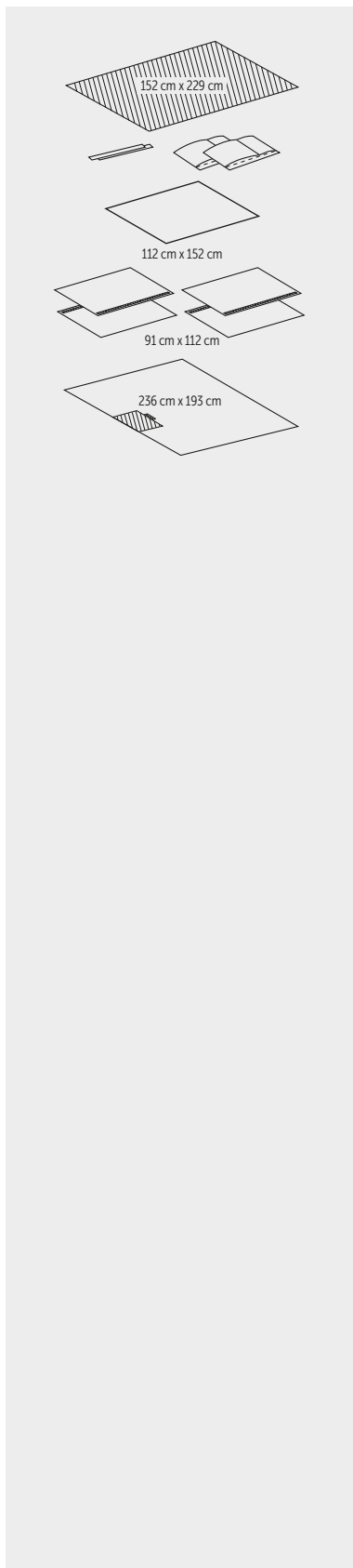
CODE	DESCRIPTION	ITEMS/CASE
89543	HALYARD BASICS* Dental Fenestrated Drape, Sterile	15
79543	HALYARD BASICS* Dental Fenestrated Drape, Non-Sterile	68



All codes in **bold** indicate a sterile product.

NEUROLOGY

NEUROLOGY PACKS



NEUROLOGY PACK

CODE	DESCRIPTION			ITEMS/CASE
76250	Neurology Pack			5
	STERILE	NON-STERILE	CONTENTS	
	-	-	1 Sterilisation Wrap 96 x 96 cm	
	-	-	1 Back Table Cover, Zone-Reinforced 152 x 229 cm	
	-	-	2 Tape Strips 10 x 55 cm	
	-	-	2 Diathermy Pouches 38 x 41 cm	
	-	-	1 Half Drape 112 x 152 cm	
	-	-	4 Side Drapes 91 x 112 cm	
	-	-	2 Bottom Drapes 236 x 193 cm	

All codes in **bold** indicate a sterile product.

CRANIOTOMY DRAPES

CRANIOTOMY DRAPE, 310 X 340 X 188 CM

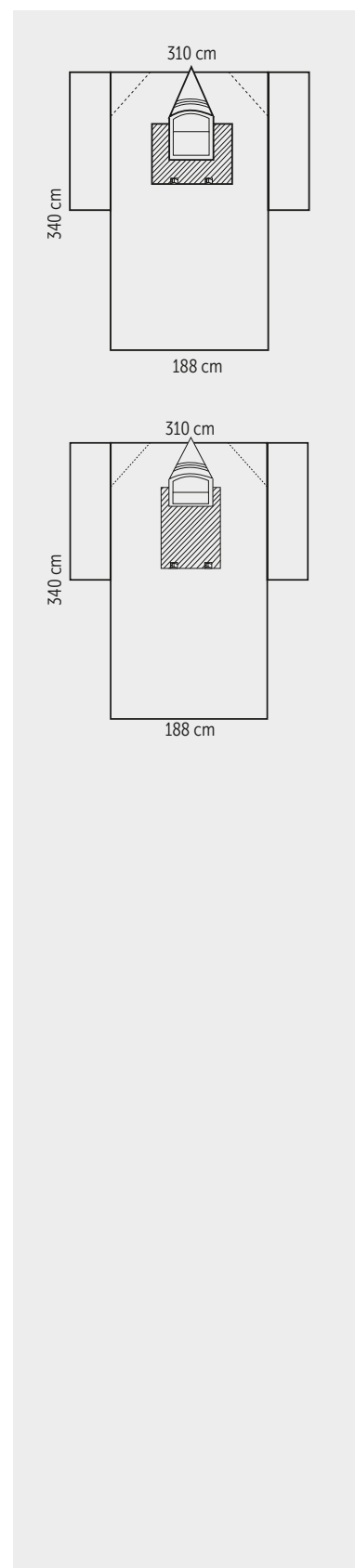
- CONTROL* Plus Fabric Reinforcement 91 x 61 cm
- 20 x 30 cm Oval Fenestration
- Clear Gusseted Anesthesia Panels
- Screen and Suction Port
- 58 x 114 cm Pouch

CODE	DESCRIPTION	ITEMS/CASE
89062	Craniotomy Drape, Sterile	9
79075	Craniotomy Drape, Non-Sterile	15

CRANIOTOMY DRAPE, 310 X 340 X 188 CM

- CONTROL* Plus Fabric Reinforcement 91 x 61 cm
- 15 x 23 cm Oval Fenestration
- 58 x 92 cm Pouch with Screen and Suction Port
- Gusseted Anaesthesia Panels

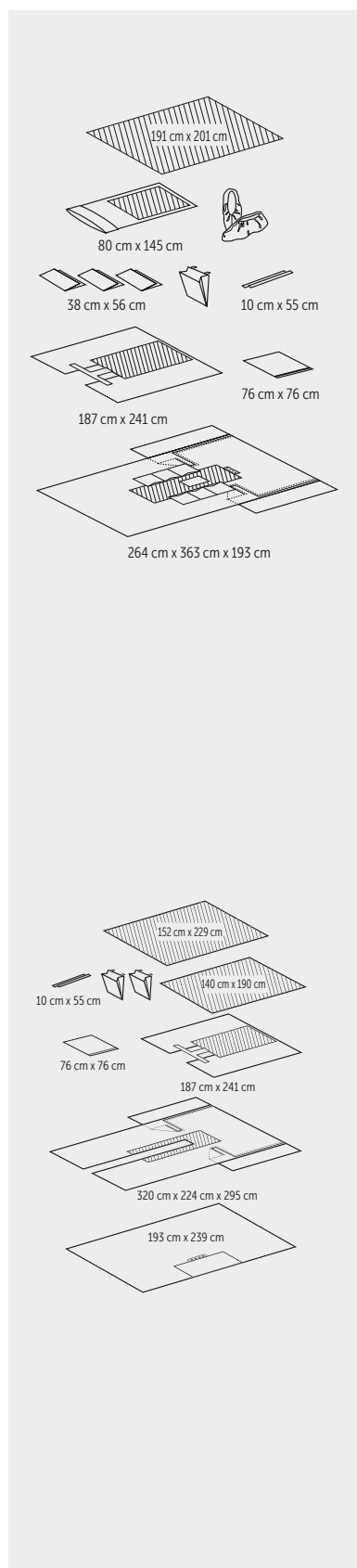
CODE	DESCRIPTION	ITEMS/CASE
77466	Craniotomy Drape, Sterile	12
76396	Craniotomy Drape, Non-Sterile	14



All codes in **bold** indicate a sterile product.

CARDIOVASCULAR & ANGIOGRAPHY

CARDIOVASCULAR & ANGIOGRAPHY PACKS



CARDIO PACK II

CODE	DESCRIPTION	ITEMS/CASE
7748	Cardio Pack II	3
STERILE	NON-STERILE	CONTENTS
-	-	1 Sterilisation Wrap 115 x 115 cm
42312	42313	1 Back Table Cover, Reinforced, 191 x 201 cm
89603	79603	1 Mayo Stand Cover, 80 x 145 cm
-	76340	2 Foot Covers
89701	79720	3 Absorbent Towels 38 x 56 cm
89053	79053	2 Tape Strips 10 x 55 cm
-	-	1 Suture Bag: • Double Tape
89313	79313	1 Utility Drape with Tape, 76 x 76 cm
-	76356	1 Perineal Drape 187 x 241 cm: • Split 44 x 95 cm • Positioning Tape • CONTROL [®] Plus Fabric Reinforcement
86357	76357	1 CV Incise Sheet 264 x 363 x 193 cm: • With Pouches • CONTROL [®] Plus Fabric Reinforcement • Tube Holders

CARDIO SPLIT PACK

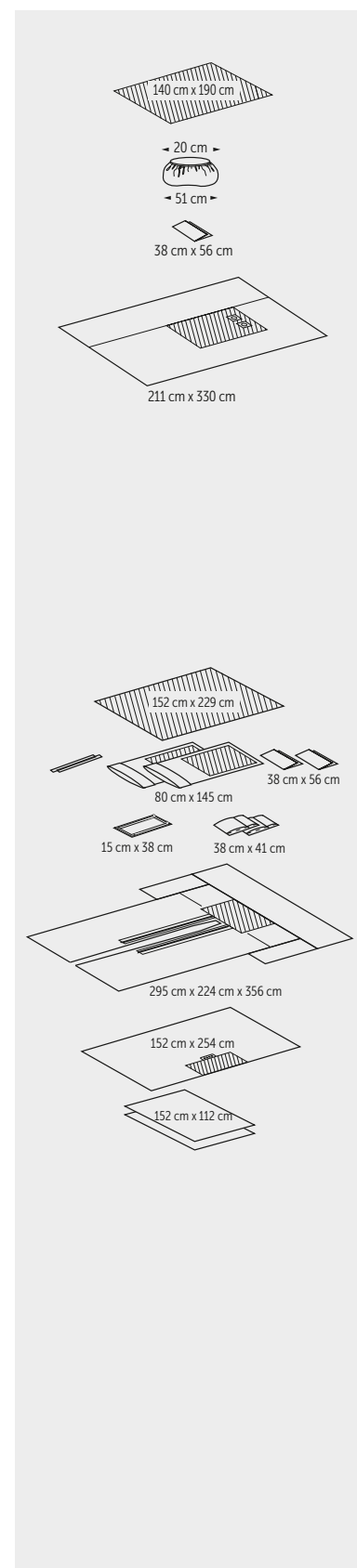
CODE	DESCRIPTION	ITEMS/CASE
7749	Cardio Split Pack	3
STERILE	NON-STERILE	CONTENTS
-	-	1 Sterilisation Wrap 115 x 115 cm
42224	42451	1 Back Table Cover, Reinforced, 152 x 229 cm
89053	79053	2 Tape Strips 10 x 55 cm
-	-	2 Suture Bags: • Double Tape
42345	-	1 Back Table Cover, Reinforced 140 x 190 cm
89313	79313	1 Utility Drape with Tape, 76 x 76 cm
-	76356	1 Perineal Drape 187 x 241 cm: • Split 44 x 95 cm • Positioning Tape • CONTROL [®] Plus Fabric Reinforcement
-	76378	1 CV Split Drape 320 x 224 x 295 cm: • Positioning Tape • CONTROL [®] Plus Fabric Reinforcement
-	78961	1 Bottom Drape 193 x 239 cm: • Positioning Tape • CONTROL [®] Plus Fabric Reinforcement • Tube Holders

All codes in **bold** indicate a sterile product.

CARDIOVASCULAR & ANGIOGRAPHY PACKS

DILATATION PACK

CODE	DESCRIPTION	ITEMS/CASE
76248	Dilatation Pack	8
STERILE	NON-STERILE	CONTENTS
-	-	1 Sterilisation Wrap 89 x 89 cm
42345	-	1 Back Table Cover, Reinforced, 140 x 190 cm
-	-	1 X-Ray Protection Cover
89701	79720	1 Absorbent Towel 38 x 56 cm
89048	79109	1 Femoral Angiography Drape 211 x 330 cm: <ul style="list-style-type: none"> • 68 x 330 cm Window • Two 12 cm Diameter Fenestrations • CONTROL⁺ Plus Fabric Reinforcement 81 x 122 cm • Positioning Tape



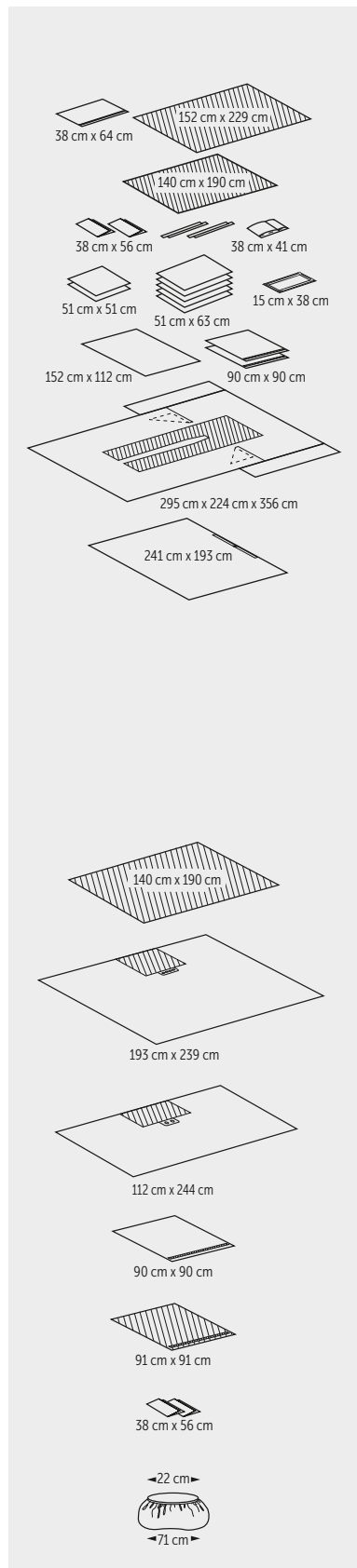
CARDIOVASCULAR PACK III

CODE	DESCRIPTION	ITEMS/CASE
77892	Cardiovascular Pack III	3
STERILE	NON-STERILE	CONTENTS
-	-	1 Sterilisation Wrap 115 x 115 cm
42224	42451	1 Back Table Cover, Reinforced, 152 x 229 cm
89053	79053	2 Tape Strips 10 x 55 cm
89701	79720	2 Absorbent Towels 38 x 56 cm
89603	79603	2 Mayo Stand Covers 80 x 145 cm
-	-	1 Perineal Cover 15 x 38 cm
89945	79945	2 Diathermy Pouches 38 x 41 cm
-	-	1 CV Split Drape 295 x 224 x 356 cm <ul style="list-style-type: none"> • 17 x 233 cm Split • CONTROL⁺ Plus Fabric Reinforcement • Armboard Covers
89381	79360	1 Ortho Bar Drape 152 x 254 cm
89101	79102	2 Half Drapes 152 x 112 cm

All codes in **bold** indicate a sterile product.

CARDIOVASCULAR & ANGIOGRAPHY PACKS

CARDIOVASCULAR PACK VI



CODE	DESCRIPTION	ITEMS/CASE
7771	Cardiovascular Pack VI	4
STERILE	NON-STERILE	CONTENTS
-	-	1 Sterilisation Wrap 115 x 115 cm
-	-	1 Back Table Cover, Reinforced 152 x 229 cm
-	-	1 Utility Drape with Tape 38 x 64 cm
-	-	1 Back Table Cover, Reinforced 140 x 190 cm
-	-	2 Absorbent Towels 38 x 56 cm
-	-	4 Tape Strips 10 x 55 cm
-	-	1 Diathermy Pouch 38 x 41 cm
-	-	2 Impermeable Absorbent Pads 51 x 51 cm
-	-	5 Huck Towels 51 x 63 cm
-	-	1 Perineal Cover 15 x 38 cm
-	-	1 Half Drape 112 x 152 cm
-	-	2 Utility Drapes with Tape 90 x 90 cm
-	-	1 Cardiovascular Split Drape 295 x 224 x 356 cm, split 234 cm
-	-	1 Bar Drape 241 x 193 cm

PACEMAKER PACK

CODE	DESCRIPTION	ITEMS/CASE
7780	Pacemaker Pack	8
STERILE	NON-STERILE	CONTENTS
-	-	1 Sterilisation Wrap 89 x 89 cm
-	-	1 Back Table Cover, Reinforced 140 x 190 cm
-	-	1 Bottom Drape 193 x 239 cm • CONTROL ⁺ Plus Fabric Reinforcement • Positioning Tape
-	-	1 Bar Drape 112 x 244 cm • CONTROL ⁺ Plus Fabric Reinforcement • Positioning Tape
-	-	1 Utility Drape with Tape 90 x 90 cm
-	-	1 Standard Absorbent Drape 91 x 91 cm
-	-	2 Absorbent Towels 38 x 56 cm
-	-	1 X-Ray Cover 71 cm

All codes in **bold** indicate a sterile product.

CARDIOVASCULAR & ANGIOGRAPHY DRAPES

CARDIOVASCULAR DRAPES

CVARTS* HEAVY-DUTY SPLIT DRAPE, 274 X 315 X 203 CM

- Armboard Covers
- Split 15 x 213 cm
- Longitudinal Line-Control Flaps
- Heavy-Duty Fabric
- CONTROL* Plus Fabric Reinforcement 58 x 203 cm around Split
- Positioning Tape

CODE	DESCRIPTION	ITEMS/CASE
89452	CVARTS* Heavy-Duty Split Drape, Sterile	6

CVARTS* CV INCISE DRAPE, 274 X 315 X 203 CM

- Armboard Covers
- Chest Adhesive Incise Area 30 x 38 cm
- Leg Adhesive Incise Area 55 x 96 cm
- CONTROL* Plus Fabric Reinforcement 115 x 216 cm
- Longitudinal Flaps
- Tube Holder

CODE	DESCRIPTION	ITEMS/CASE
79466	CVARTS* CV Incise Drape, Non-Sterile	6

CVARTS* BILATERAL UNDERLEG PERINEAL DRAPE, 213 X 203 CM

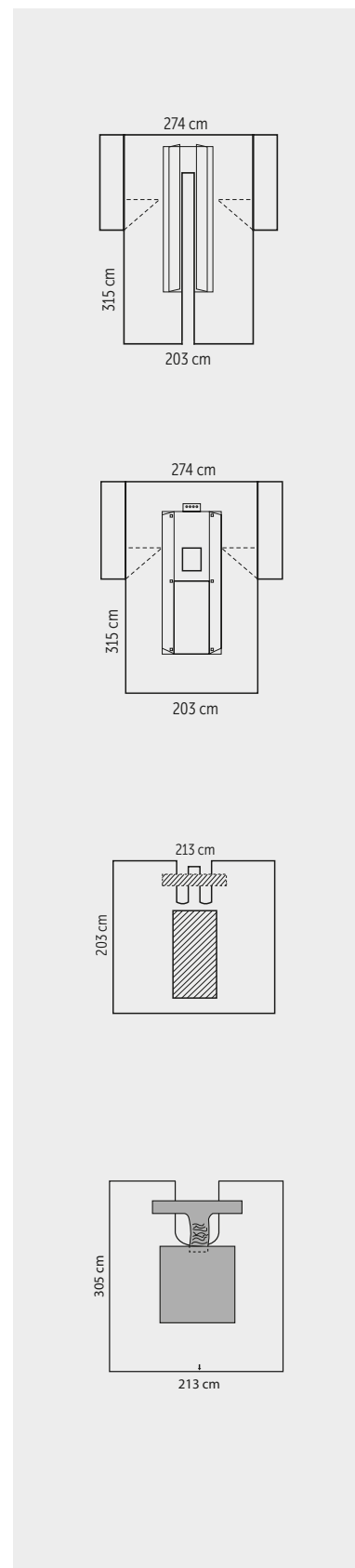
- Impervious Plastic
- Impervious Perineal Cover
- Umbilicus Cover
- CONTROL* Plus Fabric Reinforcement 122 x 76 cm
- Positioning Tape

CODE	DESCRIPTION	ITEMS/CASE
79453	CVARTS* Bilateral Underleg Perineal Drape, Non-Sterile	18

CVARTS* BILATERAL UNDERLEG PERINEAL DRAPE, 213 X 305 CM

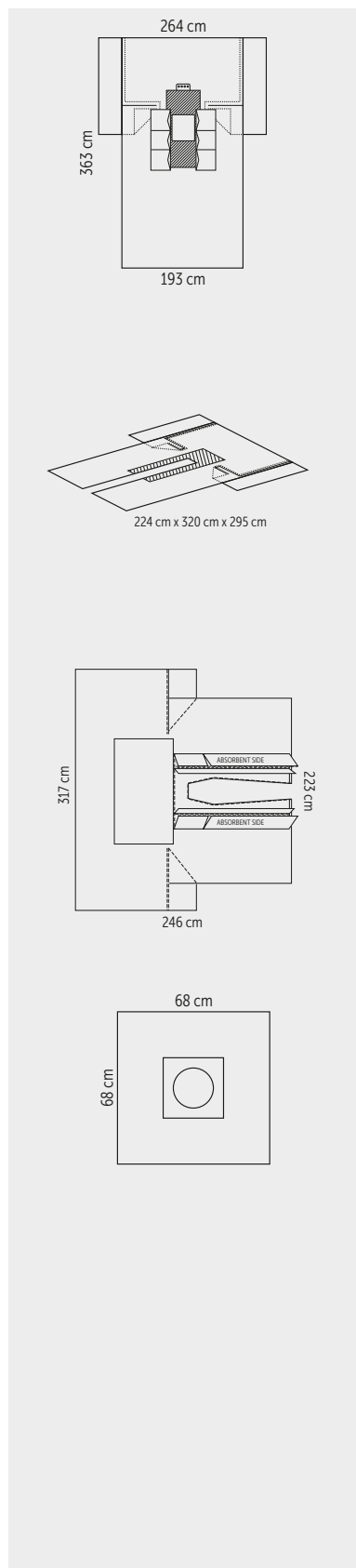
- CONTROL* Fabric Reinforcement 127 x 76 cm
- Positioning Tape

CODE	DESCRIPTION	ITEMS/CASE
K894530	CVARTS* Bilateral Underleg Perineal Drape, Sterile	18
K794530	CVARTS* Bilateral Underleg Perineal Drape, Non-Sterile	18



All codes in **bold** indicate a sterile product.

CARDIOVASCULAR & ANGIOGRAPHY DRAPES



CV INCISE DRAPE, 264 X 363 X 193 CM

- With Pouches
- CONTROL⁺ Plus Fabric Reinforcement 40 x 86 cm
- Tube Holders

CODE	DESCRIPTION	ITEMS/CASE
86357	CV Incise Drape, Sterile	12
76357	CV Incise Drape, Non-Sterile	11

CV SPLIT DRAPE, 224 X 320 X 295 CM

- Armboard Covers
- CONTROL⁺ Plus Fabric Reinforcement 107 x 216 cm
- Positioning Tape

CODE	DESCRIPTION	ITEMS/CASE
76378	CV Split Drape, Non-Sterile	9

CV SPLIT DRAPE, 223 X 246 X 317 CM

- SMS
- CONTROL⁺ Fabric Reinforcement

CODE	DESCRIPTION	ITEMS/CASE
K794513	CV Split Drape, Non-Sterile	20

FENESTRATED DRAPE, 68 X 68 CM

- SMS
- Circular Fenestration 18 cm, centered
- CONTROL⁺ Fabric Reinforcement 30 x 30 cm

CODE	DESCRIPTION	ITEMS/CASE
K792015	Fenestrated Drape, Non-Sterile	180

All codes in **bold** indicate a sterile product.

CARDIOVASCULAR & ANGIOGRAPHY DRAPES

PERINEAL DRAPE, 187 X 241 CM

- SMS
- Split 44 x 95 cm
- CONTROL* Plus Fabric Reinforcement 99 x 141 cm
- Positioning Tape

CODE	DESCRIPTION	ITEMS/CASE
76356	Perineal Drape, Non-Sterile	17

DEFIBRILLATOR DRAPE I, 264 X 193 X 345 CM

- Armboard Covers
- Heavy-Duty fabric
- 30 x 51 cm Fenestration with Incise Film
- Two Side Pouches 30 x 66 cm
- One Pocket 38 x 38 cm
- Two Pockets 12 x 17 cm
- Tube Holders

CODE	DESCRIPTION	ITEMS/CASE
76354	Defibrillator Drape I, Non-Sterile	5

ANGIOGRAPHY DRAPES

FEMORAL ANGIOGRAPHY DRAPE, 193 X 279 CM

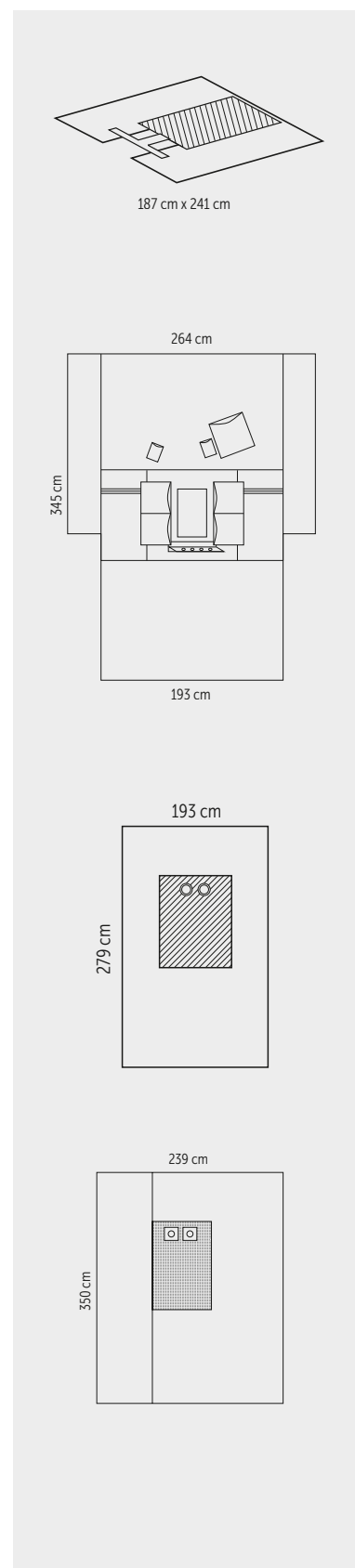
- SMS
- Two 12 cm Diameter Fenestrations
- CONTROL* Plus Fabric Reinforcement 81 x 122 cm
- Positioning Tape

CODE	DESCRIPTION	ITEMS/CASE
89704	Femoral Angiography Drape, Sterile	14
79704	Femoral Angiography Drape, Non-Sterile	160

HALYARD BASICS* FEMORAL ANGIOGRAPHY DRAPE, 239 X 350 CM, WITH SINGLE WINDOW

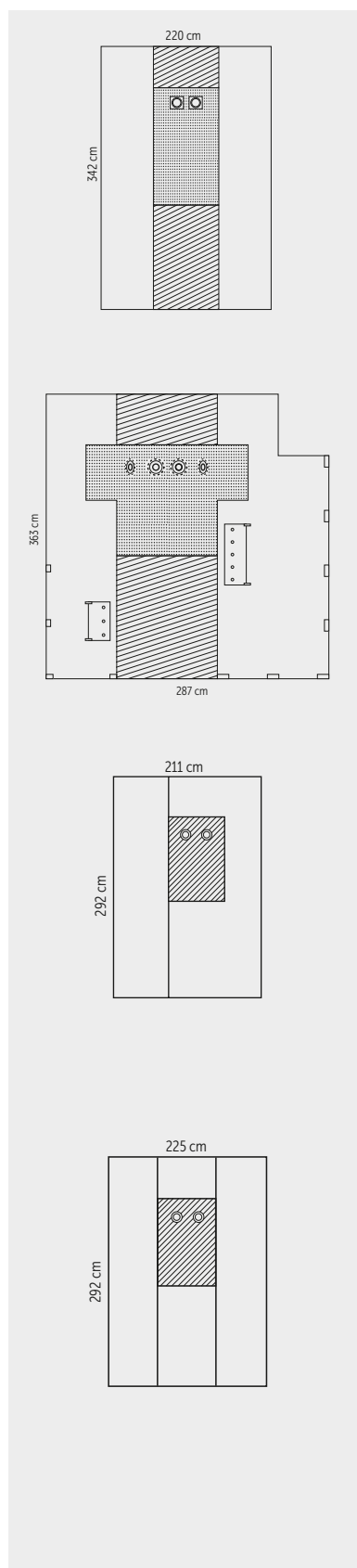
- SMS
- Two 12 cm Diameter Fenestrations
- 68 x 315 cm Window

CODE	DESCRIPTION	ITEMS/CASE
79582	HALYARD BASICS* Femoral Angiography Drape with Single Window, Non-Sterile	24



All codes in **bold** indicate a sterile product.

CARDIOVASCULAR & ANGIOGRAPHY DRAPES



EXTRA-LONG FEMORAL ANGIOGRAPHY DRAPE, 220 X 342 CM, WITH DUAL WINDOWS

- SMS
- Two 12.7 cm Diameter Fenestrations (8.8 cm Diameter Incise)
- Two 69 x 342 cm Windows
- CONTROL* Plus Fabric Reinforcement 81 x 152 cm

CODE	DESCRIPTION	ITEMS/CASE
13296	Extra-Long Femoral Angiography Drape, Non-Sterile	180

ACIST CVI® DRAPE, 287 X 363 CM

- SMS
- Enlarged Windows fit to cover the ACIST® Equipment
- Special Opening for passing ACIST® Manifold
- Two Femoral Fenestrations
- Two Radial Fenestrations
- CONTROL* Fabric Reinforcement
- Positioning Tabs on the Windows

CODE	DESCRIPTION	ITEMS/CASE
K797065	ACIST CVi® Drape, Non-Sterile	22

FEMORAL ANGIOGRAPHY DRAPE, 211 X 292 CM, WITH SINGLE WINDOW

- SMS
- Two 12 cm Diameter Fenestrations
- 68 x 292 cm Window
- CONTROL* Plus Fabric Reinforcement 81 x 122 cm
- Positioning Tape

CODE	DESCRIPTION	ITEMS/CASE
89705	Femoral Angiography Drape with Single Window, Sterile	16
79705	Femoral Angiography Drape with Single Window, Non-Sterile	200

FEMORAL ANGIOGRAPHY DRAPE, 225 X 292 CM, WITH DUAL WINDOWS

- SMS
- Two 12 cm Diameter Fenestrations
- Dual 68 x 292 cm Windows
- CONTROL* Plus Fabric Reinforcement 81 x 122 cm
- Positioning Tape

CODE	DESCRIPTION	ITEMS/CASE
89706	Femoral Angiography Drape with Dual Windows, Sterile	18
79706	Femoral Angiography Drape with Dual Windows, Non-Sterile	200

All codes in **bold** indicate a sterile product.

CARDIOVASCULAR & ANGIOGRAPHY DRAPES

BRACHIAL ANGIOGRAPHY DRAPE, 112 X 79 CM

- SMS
- 8 cm Circular Fenestration
- CONTROL* Plus Fabric Reinforcement, 27 x 61 cm
- Positioning Tape

CODE	DESCRIPTION	ITEMS/CASE
89471	Brachial Angiography Drape, Sterile	50

IMPERVIOUS EXTRA-LONG FEMORAL ANGIOGRAPHY DRAPE, 221 X 343 CM, WITH DUAL WINDOWS

- SMS
- Two 12 cm Diameter Fenestrations
- Fabric Reinforcement 343 x 81 cm
- Two Dual Plastic Windows (343 x 70 cm)
- Extra Long Film Based Drape
- Incise with Release Liner

CODE	DESCRIPTION	ITEMS/CASE
79749	Impervious Extra-Long Femoral Angiography Drape, Non-Sterile	144

FEMORAL ANGIOGRAPHY DRAPE, 193 X 330 CM

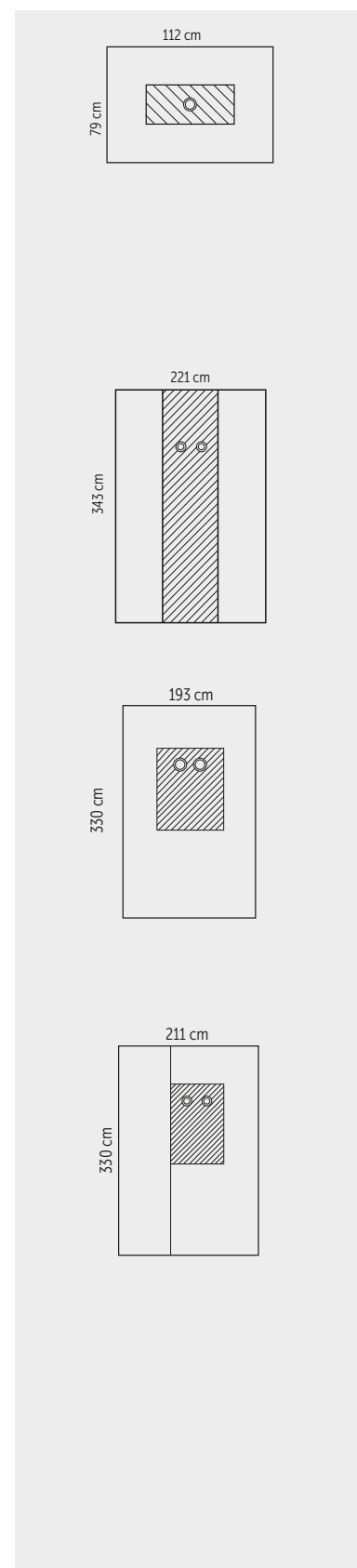
- SMS
- Two 12 cm Diameter Fenestrations
- CONTROL* Plus Fabric Reinforcement 81 x 122 cm
- Positioning Tape

CODE	DESCRIPTION	ITEMS/CASE
79063	Femoral Angiography Drape, Non-Sterile	160

FEMORAL ANGIOGRAPHY DRAPE, 211 X 330 CM, WITH SINGLE WINDOW

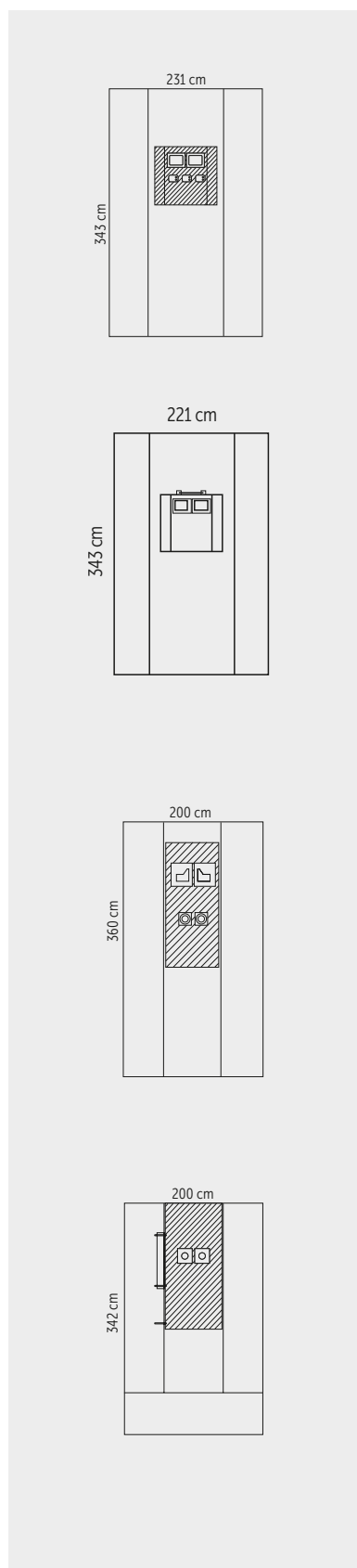
- SMS
- 68 x 330 cm Window
- Two 12 cm Diameter Fenestrations
- CONTROL* Plus Fabric Reinforcement 81 x 122 cm
- Positioning Tape

CODE	DESCRIPTION	ITEMS/CASE
89048	Femoral Angiography Drape with Single Window, Sterile	16
79109	Femoral Angiography Drape with Single Window, Non-Sterile	200



All codes in **bold** indicate a sterile product.

CARDIOVASCULAR & ANGIOGRAPHY DRAPES



PACEMAKER DRAPE WITH FENESTRATED INCISE, 231 X 343 CM

- SMS
- Absorbent CONTROL* Plus fabric reinforcement with pockets 25 cm deep
- Two 7 x 12 cm fenestrations
- Tube Holders
- Dual Clear Film Poly Windows

CODE	DESCRIPTION	ITEMS/CASE
29229	Pacemaker Drape with Fenestrated Incise, Sterile	12
29231	Pacemaker Drape with Fenestrated Incise, Non-Sterile	12

PACEMAKER DRAPE, 221 X 343 CM

- SMS
- CONTROL* Plus Fabric Reinforcement 81 x 89 cm
- Two 20 x 15 cm Fenestrations with Incise 25 x 20 cm
- Dual Clear Film Poly Windows 56 x 343 cm

CODE	DESCRIPTION	ITEMS/CASE
89368	Pacemaker Drape, Sterile	11
79368	Pacemaker Drape, Non-Sterile	12

FEMORAL ANGIOGRAPHY/IJ ACCESS COMBINATION DRAPE, 200 X 360 CM

- SMS
- Absorbent CONTROL* Plus fabric reinforcement
- Two 9 cm adhesive circular fenestrations
- Two 18 x 18 cm trapezoidal fenestrations
- Clear Side Poly Windows

CODE	DESCRIPTION	ITEMS/CASE
29225	Femoral Angiography/IJ Access Combination Drape, Sterile	15
29226	Femoral Angiography/IJ Access Combination Drape, Non-Sterile	15

FEMORAL ANGIOGRAPHY DRAPE, 200 X 342 CM, WITH SIDE AND BOTTOM WINDOWS

- SMS
- 15 cm Diameter Fenestration
- Side Window 58 x 281 cm
- Bottom Window 61 x 200 cm
- CONTROL* Plus Fabric Reinforcement 81 x 183 cm

CODE	DESCRIPTION	ITEMS/CASE
29227	Femoral Angiography Drape with Side and Bottom Windows, Sterile	13

All codes in **bold** indicate a sterile product.

CARDIOVASCULAR & ANGIOGRAPHY DRAPES

FEMORAL ANGIOGRAPHY DRAPE, 225 X 330 CM, WITH DUAL WINDOWS

- SMS
- Dual 68 x 330 cm Windows
- Two 12 cm Diameter Fenestrations
- CONTROL* Plus Fabric Reinforcement 81 x 122 cm
- Positioning Tape

CODE	DESCRIPTION	ITEMS/CASE
77776	Femoral Angiography Drape with Dual Windows, Sterile	14
76386	Femoral Angiography Drape with Dual Windows, Non-Sterile	200

RADIAL FEMORAL ANGIOGRAPHY DRAPE, 244 X 351 CM

- SMS
- Dual Windows 63 x 350 cm
- CONTROL* Plus Fabric Reinforcement 122 x 154 cm
- Two Oval Radial Fenestrations 12 x 7.6 cm
- One Round Femoral Fenestration, Diameter 12.7 cm

CODE	DESCRIPTION	ITEMS/CASE
76681	Radial Femoral Angiography Drape, Non-Sterile	150

PAEDIATRIC FEMORAL ANGIOGRAPHY DRAPE, 193 X 310 CM, WITH SINGLE WINDOW

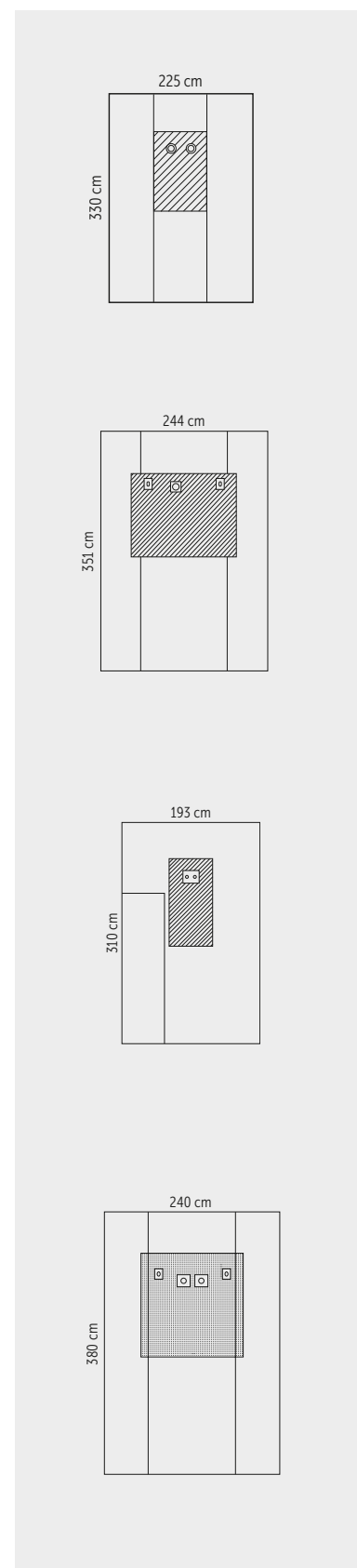
- SMS
- 64 x 215 cm Window
- Two 7.6 cm Diameter Fenestrations
- CONTROL* Plus Fabric Reinforcement 122 x 61 cm
- Positioning Tape

CODE	DESCRIPTION	ITEMS/CASE
77382	Paediatric Femoral Angiography Drape with Single Window, Sterile	25
76382	Paediatric Femoral Angiography Drape with Single Window, Non-Sterile	14

HALYARD BASICS* RADIAL FEMORAL ANGIOGRAPHY DRAPE, 240 X 380 CM, WITH DUAL WINDOWS

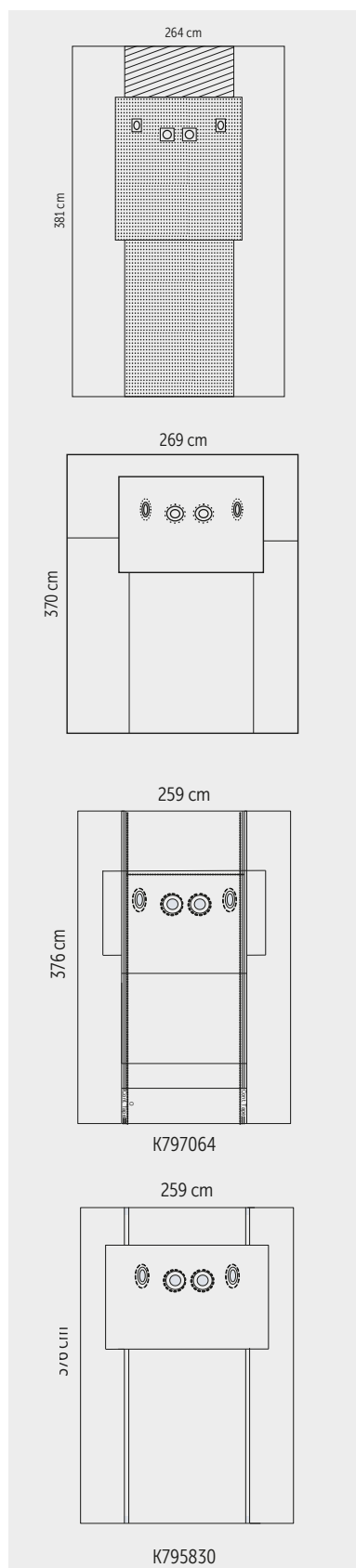
- SMS
- Dual Windows 63 x 380 cm
- Two Oval Radial Fenestrations 12 x 7.6 cm
- Two Round Femoral Fenestrations, Diameter 12.7 cm

CODE	DESCRIPTION	ITEMS/CASE
89583	HALYARD BASICS* Radial Femoral Angiography Drape with Dual Windows, Sterile	12
79583	HALYARD BASICS* Radial Femoral Angiography Drape with Dual Windows, Non-Sterile	14



All codes in **bold** indicate a sterile product.

CARDIOVASCULAR & ANGIOGRAPHY DRAPES



IMPERVIOUS RADIAL FEMORAL ANGIOGRAPHY DRAPE, 264 X 381 CM, WITH DUAL WINDOWS

- SMS
- Dual Windows 72 x 381 cm
- Two Round Fenestrations, Diameter 13.3 cm
- Two Oval Fenestrations 7.6 x 12.7 cm
- CONTROL* Fabric Reinforcement 137 x 180 cm
- Extra CONTROL* Fabric Reinforcement at the Bottom 120 x 161 cm

CODE	DESCRIPTION	ITEMS/CASE
K797067	Impervious Radial Femoral Angiography Drape with Dual Windows, Non-Sterile	20

IMPERVIOUS RADIAL FEMORAL ANGIOGRAPHY DRAPE, 269 X 370 CM, WITH DUAL WINDOWS

- SMS/Film Laminate
- Two Plastic Dual Windows 73.7 x 274 cm & 127 x 274 cm
- Reinforcement with Fenestrations size 121.9 x 157.5 cm
- Two Oval Fenestrations 11.7 x 8.9 cm
- Two Round Fenestrations, Diameter 12.7 cm

CODE	DESCRIPTION	ITEMS/CASE
K797162	Impervious Radial Femoral Angiography Drape with Dual Windows, Non-Sterile	20

RADIAL FEMORAL ANGIOGRAPHY DRAPE, 259 X 376 CM, WITH DUAL WINDOWS

- SMS
- CONTROL* Plus Fabric Reinforcement 165 x 122 cm & 128 x 122 cm & 30.5 x 122 cm
- Two Oval Radial Fenestrations 8.9 x 12.1 cm
- Two Round Femoral Fenestrations, Diameter 12.7 cm
- Dual Clear Film Poly Windows
- Positioning Tape

CODE	DESCRIPTION	ITEMS/CASE
K797064	Radial Femoral Angiography Drape with Dual Windows, Non-Sterile	20
K795830	Radial Femoral Angiography Drape, 4 holes	14

All codes in **bold** indicate a sterile product.

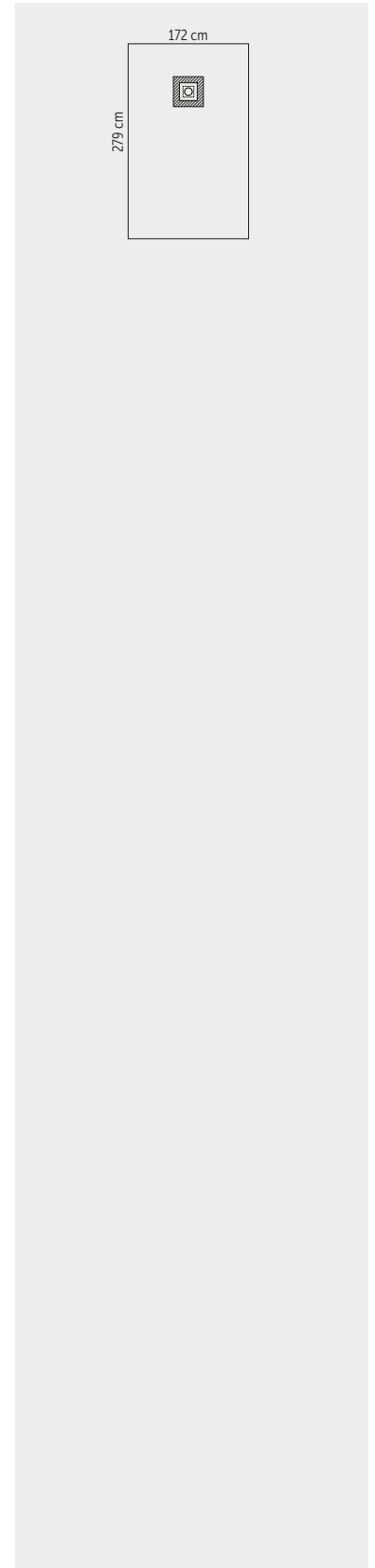
CATHETER PLACEMENT

CATHETER PLACEMENT DRAPES

CVC DRAPE, SINGLE FENESTRATION, 172 X 279 CM

- SMS
- Absorbent CONTROL[®] Plus Fabric Reinforcement
- 10 cm Fenestration
- Incise Window

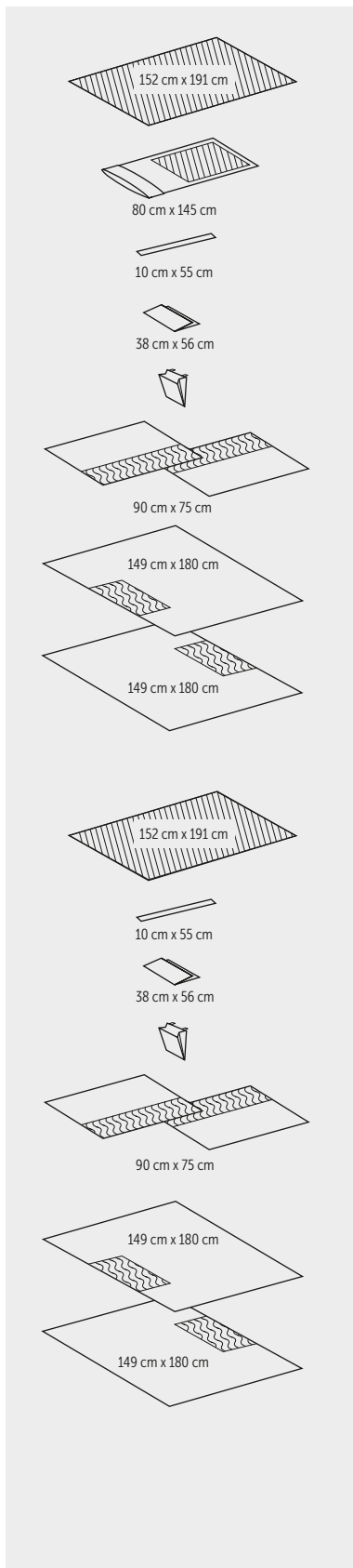
CODE	DESCRIPTION	ITEMS/CASE
29149	CVC Drape, Single Fenestration, Sterile	20
29148	CVC Drape, Single Fenestration, Non-Sterile	27



All codes in **bold** indicate a sterile product.

PAEDIATRICS

PAEDIATRICS PACKS



UNIVERSAL PACK, SMALL

CODE	DESCRIPTION		ITEMS/CASE
88762	Universal Pack, Small, incl. Mayo Stand Cover		11
	STERILE	NON-STERILE	CONTENTS
	-	-	1 Sterilisation Wrap 96 x 96 cm
	89603	79603	1 Mayo Stand Cover 80 x 145 cm
	42222	42428	1 Back Table Cover, Reinforced 152 x 191 cm
	89053	79053	1 Tape Strip 10 x 55 cm
	89701	79720	1 Absorbent Towel 38 x 56 cm
	-	-	1 Suture Bag
	-	-	2 Side Drapes 90 x 75 cm: <ul style="list-style-type: none"> • Positioning Tape, 2.5 cm width • CONTROL* Fabric Reinforcement
	-	79214	1 Bottom Drape 149 x 180 cm: <ul style="list-style-type: none"> • Positioning Tape, 2.5 cm width • CONTROL* Fabric Reinforcement
	-	79215	1 Top Drape 149 x 180 cm: <ul style="list-style-type: none"> • Positioning Tape, 2.5 cm width • CONTROL* Fabric Reinforcement

UNIVERSAL PACK, SMALL

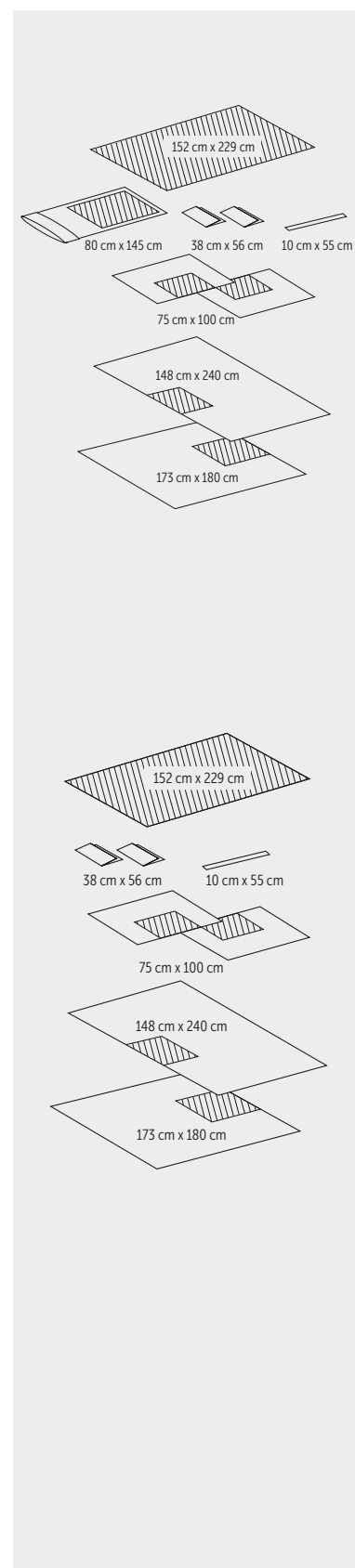
CODE	DESCRIPTION		ITEMS/CASE
88763	Universal Pack, Small, excl. Mayo Stand Cover		11
	STERILE	NON-STERILE	CONTENTS
	-	-	1 Sterilisation Wrap 96 x 96 cm
	42222	42428	1 Back Table Cover, Reinforced 152 x 191 cm
	89053	79053	1 Tape Strip 10 x 55 cm
	89701	79720	1 Absorbent Towel 38 x 56 cm
	-	-	2 Side Drapes 90 x 75 cm: <ul style="list-style-type: none"> • Positioning Tape, 2.5 cm width • CONTROL* Fabric Reinforcement
	-	79214	1 Bottom Drape 149 x 180 cm: <ul style="list-style-type: none"> • Positioning Tape, 2.5 cm width • CONTROL* Fabric Reinforcement
	-	79215	1 Top Drape 149 x 180 cm: <ul style="list-style-type: none"> • Positioning Tape, 2.5 cm width • CONTROL* Fabric Reinforcement

All codes in **bold** indicate a sterile product.

PAEDIATRICS PACKS

UNIVERSAL PACK

CODE	DESCRIPTION		ITEMS/CASE
88100	Universal Pack, incl. Mayo Stand Cover		12
STERILE	NON-STERILE	CONTENTS	
42224	42451	1 Back Table Cover, Reinforced 152 x 229 cm	
89603	79603	1 Mayo Stand Cover 80 x 145 cm	
89053	79053	1 Tape Strip 10 x 55 cm	
89701	79720	2 Absorbent Towels 38 x 56 cm	
-	79012	2 Side Drapes 75 x 100 cm: • Positioning Tape • CONTROL ⁺ Plus Fabric Reinforcement	
-	79011	1 Bottom Drape 173 x 180 cm: • Positioning Tape • CONTROL ⁺ Plus Fabric Reinforcement	
-	79010	1 Top Drape 148 x 240 cm: • Positioning Tape • CONTROL ⁺ Plus Fabric Reinforcement	

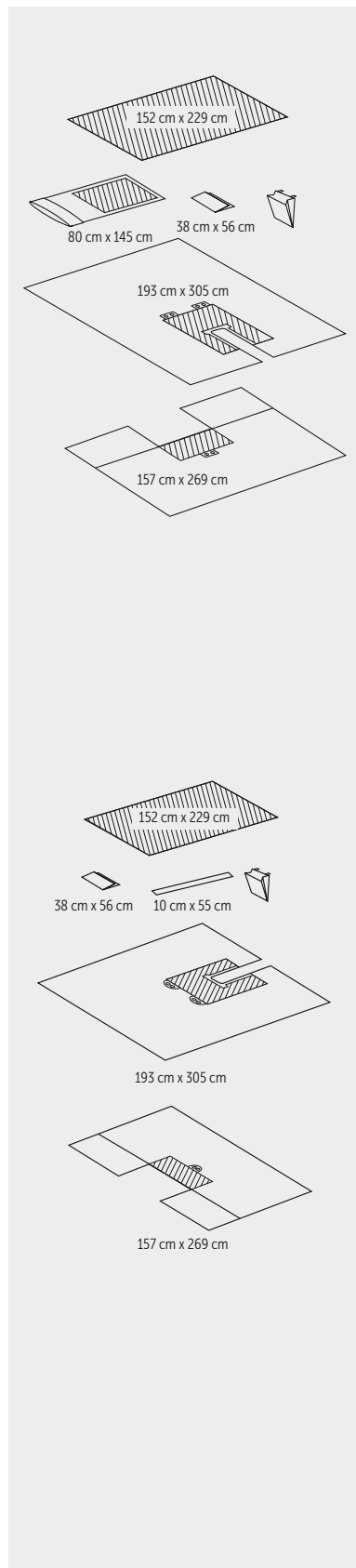


UNIVERSAL PACK

CODE	DESCRIPTION		ITEMS/CASE
88103	Universal Pack, excl. Mayo Stand Cover		12
STERILE	NON-STERILE	CONTENTS	
-	-	1 Sterilisation Wrap 96 x 96 cm	
42224	42451	1 Back Table Cover, Reinforced 152 x 229 cm	
89053	79053	1 Tape Strip 10 x 55 cm	
89701	79720	2 Absorbent Towels 38 x 56 cm	
-	79012	2 Side Drapes 75 x 100 cm: • Positioning Tape • CONTROL ⁺ Plus Fabric Reinforcement	
-	79011	1 Bottom Drape 173 x 180 cm: • Positioning Tape • CONTROL ⁺ Plus Fabric Reinforcement	
-	79010	1 Top Drape 148 x 240 cm: • Positioning Tape • CONTROL ⁺ Plus Fabric Reinforcement	

All codes in **bold** indicate a sterile product.

PAEDIATRICS PACKS



U-BAR* PACK VI

CODE	DESCRIPTION		ITEMS/CASE
7794	U-BAR* Pack VI		9
	STERILE	NON-STERILE	CONTENTS
	-	-	1 Sterilisation Wrap 96 x 96 cm
	-	42451	1 Back Table Cover, Reinforced 152 x 229 cm
	89603	79603	1 Mayo Stand Cover 80 x 145 cm
	89701	79720	1 Absorbent Towel 38 x 56 cm
	-	-	1 Suture Bag
	-	76361	1 U-Drape 193 x 305 cm: <ul style="list-style-type: none"> • Split 10 x 101 cm • Positioning Tape • CONTROL* Plus Fabric Reinforcement • Tube Holders
	-	76363	1 Bar Drape 157 x 269 cm: <ul style="list-style-type: none"> • Armboard Covers • Positioning Tape • CONTROL* Plus Fabric Reinforcement • Tube Holders

U-BAR* PACK

CODE	DESCRIPTION		ITEMS/CASE
77853	U-BAR* Pack		10
	STERILE	NON-STERILE	CONTENTS
	-	-	1 Sterilisation Wrap 89 x 89 cm
	-	42451	1 Back Table Cover, Reinforced 152 x 229 cm
	89701	79720	1 Absorbent Towel 38 x 56 cm
	-	-	1 Suture Bag
	-	76361	1 U-Drape 193 x 305 cm: <ul style="list-style-type: none"> • Split 10 x 101 cm • Positioning Tape • CONTROL* Plus Fabric Reinforcement • Tube Holders
	-	76363	1 Bar Drape 157 x 269 cm: <ul style="list-style-type: none"> • Armboard Covers • Positioning Tape • CONTROL* Plus Fabric Reinforcement • Tube Holders
	89053	79053	1 Tape Strip 10 x 55 cm

All codes in **bold** indicate a sterile product.

PAEDIATRICS PACKS

SMALL PROCEDURE PACK II

CODE	DESCRIPTION		ITEMS/CASE
77717	Small Procedure Pack II		10
STERILE	NON-STERILE	CONTENTS	
-	-	Sterilisation Wrap 89 x 89 cm	
42222	42428	1 Back Table Cover, Reinforced 152 x 191 cm	
-	-	1 Fenestrated Drape 211 x 241 cm: <ul style="list-style-type: none"> • Circular Fenestration 12 cm centered • CONTROL* Plus Fabric Reinforcement 	
89701	79720	2 Absorbent Towels 38 x 56 cm	
89053	79053	1 Tape Strip 10 x 55 cm	

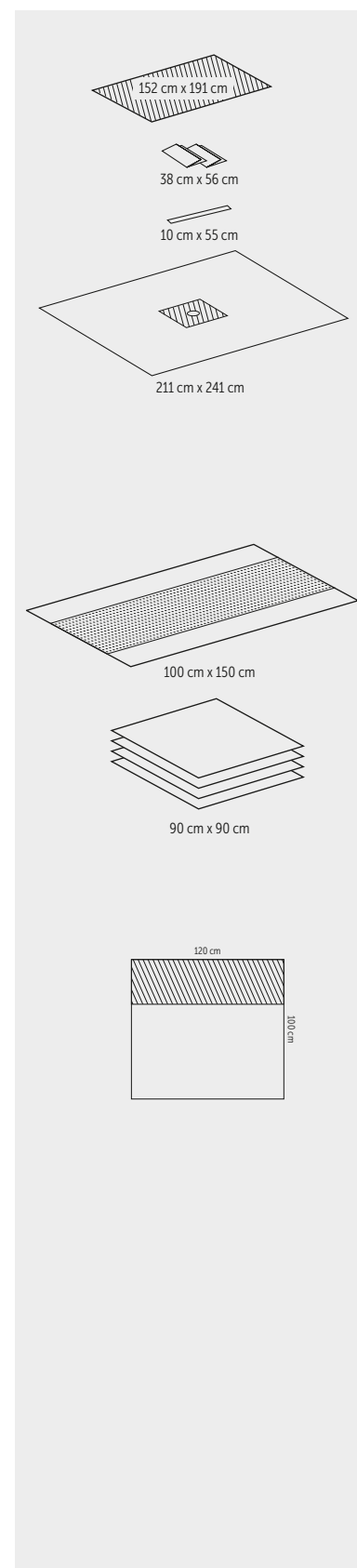
HALYARD BASICS* BASIC PACK

CODE	DESCRIPTION		ITEMS/CASE
89682	HALYARD BASICS* Basic Pack		10
STERILE	NON-STERILE	CONTENTS	
89632	79741	1 Back Table Cover, Zone Reinforced, 100 x 150 cm: <ul style="list-style-type: none"> • Spunbond 	
89679	79783	4 Utility Drapes with Tape, 90 x 90 cm: <ul style="list-style-type: none"> • Spunbond Film 	

SIDE DRAPE WITH ADHESIVE, 120 X 100 CM

- SMS
- Adhesive size 2,5cm x 120 cm

CODE	DESCRIPTION	ITEMS/CASE
K795805	Side Drape with Adhesive	70



All codes in **bold** indicate a sterile product.

PAEDIATRICS DRAPES

FENESTRATED DRAPES

MINOR PROCEDURE FENESTRATED DRAPE, 76 X 76 CM

- Fenestration 3 x 5 cm
- CONTROL[®] Fabric Reinforcement 12 x 20 cm
- Positioning Tape

CODE	DESCRIPTION	ITEMS/ CASE	ITEMS/ DISPENSER	DISPENSERS/ CASE
89206	Minor Procedure Fenestrated Drape, Sterile	100	25 x 4	4
79206	Minor Procedure Fenestrated Drape, Non-Sterile	250 -	-	

MINOR PROCEDURE FENESTRATED DRAPE, 122 X 152 CM

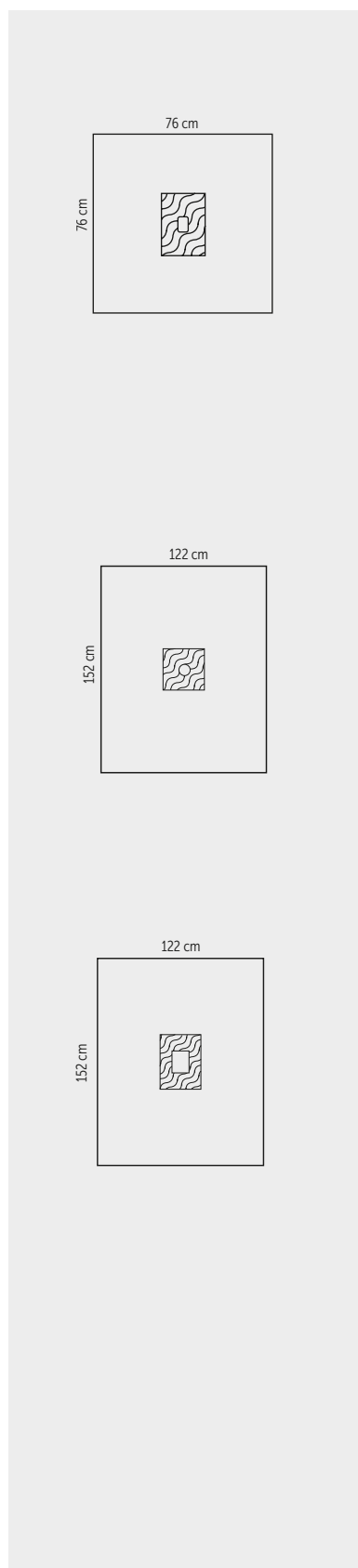
- Fenestration (Diameter 7 cm)
- CONTROL[®] Fabric Reinforcement 31 x 31 cm
- Positioning Tape

CODE	DESCRIPTION	ITEMS/CASE
89207	Minor Procedure Fenestrated Drape, Sterile	40
79207	Minor Procedure Fenestrated Drape, Non-Sterile	60

MINOR PROCEDURE FENESTRATED DRAPE, 122 X 152 CM

- Fenestration 12 x 15 cm
- CONTROL[®] Fabric Reinforcement 41 x 31 cm
- Positioning Tape

CODE	DESCRIPTION	ITEMS/CASE
89208	Minor Procedure Fenestrated Drape, Sterile	40
79208	Minor Procedure Fenestrated Drape, Non-Sterile	60



All codes in **bold** indicate a sterile product.

PAEDIATRICS DRAPES

BREAST/CHEST DRAPES

BREAST DRAPE, 254 X 315 X 193 CM

- Fenestration 15 x 15 cm
- CONTROL* Fabric Reinforcement 51 x 71 cm
- Hook and Loop Tube and Line Control
- Armboard Covers

CODE	DESCRIPTION	ITEMS/CASE
89236	Breast Drape, Sterile	10
79236	Breast Drape, Non-Sterile	20

ANGIOGRAPHY DRAPES

PAEDIATRIC FEMORAL ANGIOGRAPHY DRAPE, 193 X 310 CM, WITH SINGLE WINDOW

- 64 x 215 cm Window
- Two 7.6 cm Diameter Fenestrations
- CONTROL* Plus Fabric Reinforcement 122 x 61 cm
- Positioning Tape

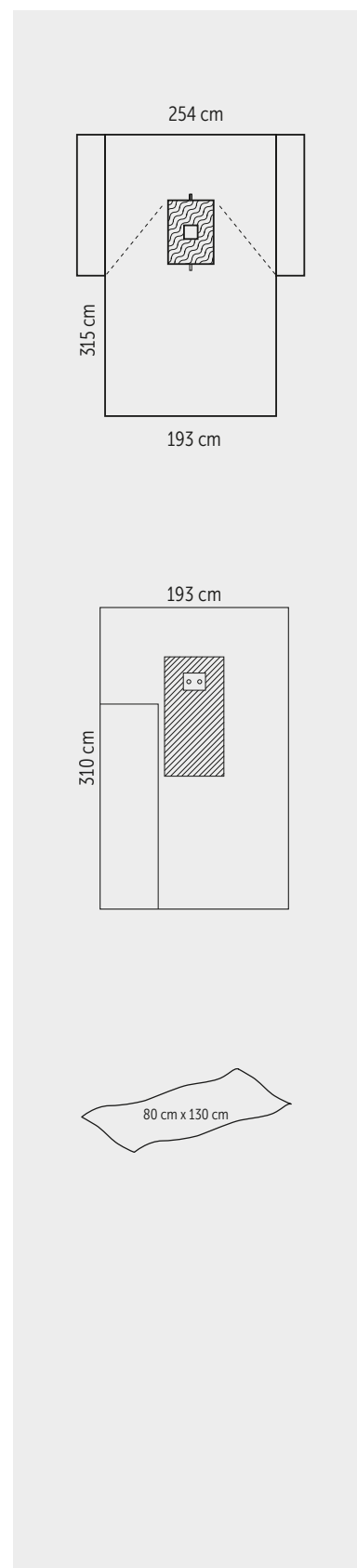
CODE	DESCRIPTION	ITEMS/CASE
77382	Paediatric Femoral Angiography Drape with Single Window, Sterile	25
76382	Paediatric Femoral Angiography Drape with Single Window, Non-Sterile	14

BABY BLANKETS

BABY BLANKET, 80 X 130 CM

- Absorbent

CODE	DESCRIPTION	ITEMS/CASE
76394	Baby Blanket, Non-Sterile	141



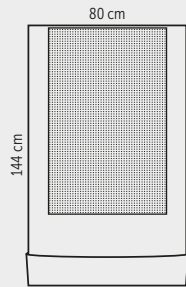
All codes in **bold** indicate a sterile product.

EQUIPMENT COVERS

EQUIPMENT COVERS

MAYO STAND COVERS

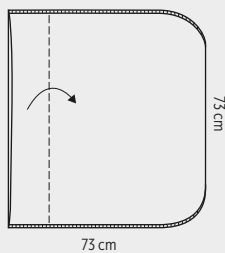
MAYO STAND COVERS



CODE		DESCRIPTION	ITEMS/CASE	
STERILE	NON-STERILE		STERILE	NON-STERILE
89601	79601	Mayo Stand Cover, 58 x 137 cm	54	150
-	79602	Mayo Stand Cover, 76 x 145 cm	-	120
89603	79603	Mayo Stand Cover, 80 x 145 cm	44	120
88672	-	HALYARD BASICS* Mayo Stand Cover, 80 x 144 cm: • Zone-Reinforced • Spunbond	65	-
14007	76358	Reinforced Mayo Stand Cover, 76 x 145 cm: • CONTROL* Plus Fabric Reinforcement 61 x 76 cm	44	68
77883	-	Mayo Cover Reinforcement 60 x 80 cm: • CONTROL* Plus Fabric Reinforcement	50	-
77452	-	Large Mayo Stand Cover, 121 x 182 cm • CONTROL* Plus Fabric Reinforcement 119 x 88 cm • Cuff 18 cm	15	-
-	K796011	Reinforced Mayo Stand Cover, 80 x 145 cm • CONTROL* Fabric Reinforcement	-	60
-	K796012	Reinforced Mayo Stand Cover, 95 x 195 cm • CONTROL* Fabric Reinforcement	-	54

STOOL COVERS

STOOL COVER



CODE		DESCRIPTION	ITEMS/CASE	
STERILE	NON-STERILE		STERILE	NON-STERILE
K103600	K103502	Stool Cover, 73 x 73 cm, Non-Sterile • SMS	140	150

All codes in **bold** indicate a sterile product.

EQUIPMENT COVERS

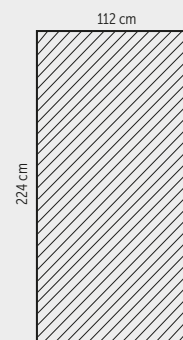
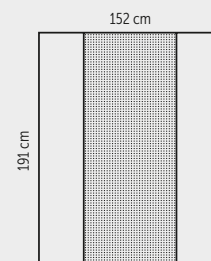
BACK TABLE COVERS

BACK TABLE COVERS, ZONE-REINFORCED

CODE STERILE	NON-STERILE	DESCRIPTION	STERILE	ITEMS/CASE NON-STERILE
89632	79741	HALYARD BASICS® Back Table Cover, Zone-Reinforced, 100 x 150 cm: • Spunbond	50	70
88673	78669	HALYARD BASICS® Back Table Cover, Zone-Reinforced, 152 x 191 cm: • Spunbond	20	50

BACK TABLE COVERS, REINFORCED

CODE STERILE	NON-STERILE	DESCRIPTION	STERILE	ITEMS/CASE NON-STERILE
42217	42448	Back Table Cover, Reinforced, 112 x 229 cm	28	640
-	42447	Back Table Cover, Reinforced, 112 x 198 cm	-	800
-	42446	Back Table Cover, Reinforced, 112 x 112 cm	-	1280
-	42228	Back Table Cover, Reinforced, 178 x 279 cm	36	320
-	42449	Back Table Cover, Reinforced, 127 x 229 cm	-	560
42222	42428	Back Table Cover, Reinforced, 152 x 191 cm	28	540
-	42481	Back Table Cover, Reinforced, 152 x 152 cm	-	660
-	42225	Back Table Cover, Reinforced, 152 x 229 cm	-	480
-	42409	Back Table Cover, Reinforced, Fan Fold, 178 x 279 cm	36	200
-	42366	Back Table Cover, Reinforced, Heavy Duty, Fan Fold, 152 x 229 cm	-	200
-	42367	Back Table Cover, Reinforced, Heavy Duty, 178 x 279 cm	-	160
-	42302	Back Table Cover, Reinforced, Fan Fold, 112 x 224 cm	-	60
42345	42365	Back Table Cover, Reinforced, 140 x 190 cm	24	420
-	42480	Back Table Cover, Reinforced, 150 x 150 cm	-	720
42224	42451	Back Table Cover, Reinforced, 152 x 229 cm	36	480
42312	42313	Back Table Cover, Reinforced, 191 x 201 cm	20	32
-	76372	Back Table Cover 190 x 240 cm with CONTROL® Plus Fabric Reinforcement 102 x 240 cm	-	8
42309	-	Back Table Cover, Reinforced, Heavy Duty, 177 x 279 cm	15	-



All codes in **bold** indicate a sterile product.

ACCESSORIES

ACCESSORIES

UNDER BUTTOCKS DRAPES

UNDER BUTTOCKS DRAPE, PLASTIC, 75 X 112 CM

CODE	DESCRIPTION	ITEMS/CASE
89411	Under Buttocks Drape, Plastic, Sterile	48

UNDER BUTTOCKS DRAPE, ZONE REINFORCED, MEDIUM, 97 X 112 CM

- Film Fabric Reinforcement

CODE	DESCRIPTION	ITEMS/CASE
79411	Under Buttocks Drape, Zone Reinforced, Medium, Non-Sterile	115

UNDER BUTTOCKS DRAPE, PLASTIC REINFORCED, LARGE, 102 X 117 CM

CODE	DESCRIPTION	ITEMS/CASE
89413	Under Buttocks Drape, Plastic Reinforced, Large, Sterile	50

UNDER BUTTOCKS DRAPE, 102 X 112 CM

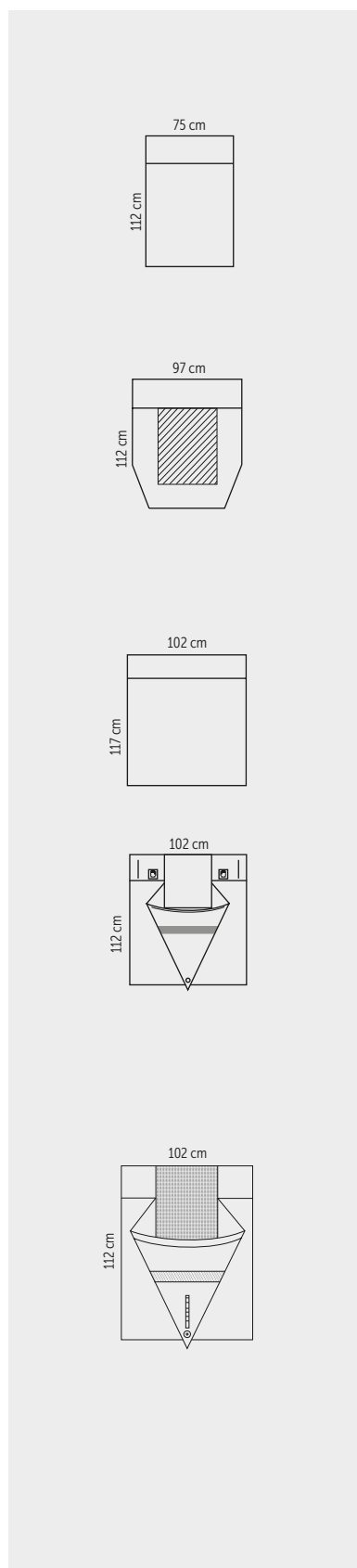
- With Fluid Collection Pouch, Screen and Suction Port
- Adhesive Pouch Closure

CODE	DESCRIPTION	ITEMS/CASE
89415	Under Buttocks Drape, Sterile	40
79415	Under Buttocks Drape, Non-Sterile	100

HALYARD BASICS* UNDER BUTTOCKS DRAPE, 102 X 112 CM

- With Graduated Fluid Collection Pouch
- Spunbond

CODE	DESCRIPTION	ITEMS/CASE
89584	HALYARD BASICS* Under Buttocks Drape, Sterile	65



All codes in **bold** indicate a sterile product.

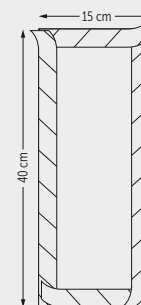
ACCESSORIES

PERINEAL COVER DRAPES

HALYARD BASICS* PERINEAL COVER DRAPE WITH TAPE,
15 X 40 CM

- Spunbond Film
- Positioning Tape

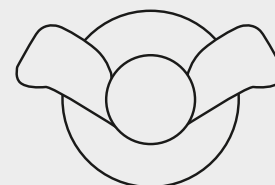
CODE	DESCRIPTION	ITEMS/CASE
89675	HALYARD BASICS* Perineal Cover Drape with Tape, Sterile	100
79697	HALYARD BASICS* Perineal Cover Drape with Tape, Non-Sterile	500



IMPERVIOUS STOCKINETTES

IMPERVIOUS STRETCHABLE STOCKINETTE, SMALL,
17 X 76 CM

CODE	DESCRIPTION	ITEMS/CASE
89861	Impervious Stretchable Stockinette, Small, Sterile	45
79861	Impervious Stretchable Stockinette, Small, Non-Sterile	90

IMPERVIOUS STRETCHABLE STOCKINETTE, LARGE,
25 X 121 CM

CODE	DESCRIPTION	ITEMS/CASE
89881	Impervious Stretchable Stockinette, Large, Sterile	30
79881	Impervious Stretchable Stockinette, Large, Non-Sterile	56

IMPERVIOUS STOCKINETTE, MEDIUM, 23 X 112 CM

CODE	DESCRIPTION	ITEMS/CASE
89811	Impervious Stockinette, Medium, Sterile	36

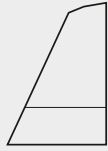


IMPERVIOUS STOCKINETTE, LARGE, 30 X 122 CM

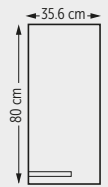
CODE	DESCRIPTION	ITEMS/CASE
89821	Impervious Stockinette, Large, Sterile	25

All codes in **bold** indicate a sterile product.

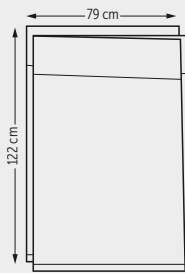
ACCESSORIES



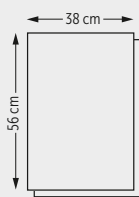
76214



44591



122 cm



56 cm

ARMBOARD COVERS

ARMBOARD COVER

- Cuff 15 cm

CODE	DESCRIPTION	ITEMS/CASE
76214	Armboard Cover, 61 x 72 cm, Sterile	164 (2 covers/pouch)
76300	Armboard Cover, 61 x 72 cm, Non-Sterile	166
44591	Armboard Cover, 35.5 x 80 cm, Non-Sterile	3000 (100 covers/poly bag)

LEGGINGS

LEGGINGS, 79 X 122 CM, WITH 15 CM CUFF

CODE	DESCRIPTION	ITEMS/PACKAGE	ITEMS/CASE
89408	Leggings, Sterile Pair	2	52 (2x26)
79408	Leggings, Non-Sterile	-	70

TOWELS

ABSORBENT TOWELS, 38 X 56 CM

CODE	DESCRIPTION	ITEMS/PACKAGE	ITEMS/CASE
89701	Absorbent Towel, Sterile	2	200 (2x100)
79720	Absorbent Towel, Non-Sterile	-	1.000

All codes in **bold** indicate a sterile product.

ACCESSORIES

TAPE STRIPS

TAPE STRIPS, 10 X 55 CM

CODE	DESCRIPTION	ITEMS/PACKAGE	ITEMS/CASE
89053	Tape Strips, Sterile	2	600
79053	Tape Strips, Non-Sterile	-	1.000

SLEEVES

SLEEVE, 15 X 59 CM

CODE	DESCRIPTION	ITEMS/PACKAGE	ITEMS/CASE
89791	Sleeve, Sterile	1	100

POUCHES

DIATHERMY POUCH, 38 X 41 CM

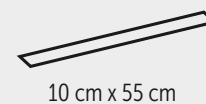
- 2 compartments

CODE	DESCRIPTION	ITEMS/PACKAGE	ITEMS/CASE
89945	Diathermy Pouch, Sterile	1	150
79945	Diathermy Pouch, Non-Sterile	-	220

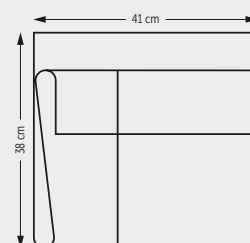
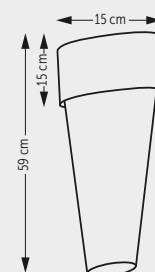
DIATHERMY POUCH, SMS HEAVY DUTY, 27 X 29 CM

- 2 Tape Strips at the Back

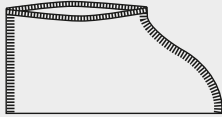
CODE	DESCRIPTION	ITEMS/PACKAGE	ITEMS/CASE
76270	Diathermy Pouch, SMS Heavy Duty, Sterile	1	200



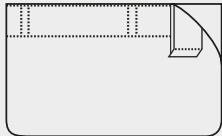
10 cm x 55 cm



ACCESSORIES



76334



76340

FOOT COVERS

FOOT COVERS

CODE	DESCRIPTION	ITEMS/PACKAGE	ITEMS/CASE
76334	Foot Cover, Non-Sterile	1	300
76340	Foot Cover, Non-Sterile	1	400

MEDISHEETS

MEDISHEETS

- Polypropylene Spunbond Woven Cotton Fiber
- HD Polyethylene Underlayer
- Pulp

CODE	DESCRIPTION	ITEMS/CASE
QW030202	Medisheet Operating Table Cover, 102 x 228 cm, Non-Sterile	20
QW034602	Medisheet Operating Table Cover, 102 x 228 cm, with Lift Sheet, Non-Sterile	20
QW102302	Medisheet Operating Table Cover, 105 x 155 cm, Non-Sterile	50

All codes in **bold** indicate a sterile product.

VALUESELECT*

VALUESELECT* SURGICAL GOWNS

VALUESELECT* PE-REINFORCED SURGICAL GOWNS

- SMS Fabric
- PE-Reinforced Chest and Sleeves
- Set-In-Sleeves
- Overlapping Back
- Low Linting Fabric
- Colour Coded Neck Binding: Red
- Book Fold
- Sterile Gown packaged with 2 Towels
- SMS weight in gram square meter: 35 gsm

CODE	SIZE		LENGTH*	ITEMS/CASE	
	STERILE	NON-STERILE		STERILE	NON-STERILE
46673	46677	Medium	108 cm	22	459 (handi-bin)
46674	46678	Large	117 cm	22	432 (handi-bin)
46675	46679	X-Large	126 cm	22	432 (handi-bin)
46676	46680	XX-Large	135 cm	22	378 (handi-bin)
47287	47283	L-Xlong	150 cm	20	420 (handi-bin)
47288	47284	XL-Xlong	150 cm	20	360 (handi-bin)

VALUESELECT* STANDARD SURGICAL GOWNS

- SMS Fabric
- Set-In-Sleeves
- Overlapping Back
- Low Linting Fabric
- Colour Coded Neck Binding: Yellow
- Book Fold
- Sterile Gown packaged with 2 Towels
- SMS weight in gram square meter: 35 gsm

CODE	SIZE		LENGTH*	ITEMS/CASE	
	STERILE	NON-STERILE		STERILE	NON-STERILE
46665	46669	Medium	108 cm	26	513 (handi-bin)
46666	46670	Large	117 cm	24	486 (handi-bin)
46667	46671	X-Large	126 cm	22	486 (handi-bin)
46668	46672	XX-Large	135 cm	22	486 (handi-bin)
47285	47281	L-Xlong	150 cm	20	480 (handi-bin)
47286	47282	XL-Xlong	150 cm	20	480 (handi-bin)



* length back (neck to bottom)

○ Non-Reinforced Fabric

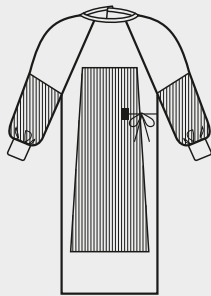
◐ Fabric-Reinforced

● High Performance Area

All codes in **bold** indicate a sterile product.

HALYARD BASICS*

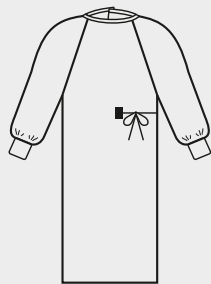
HALYARD BASICS* SURGICAL GOWNS



HALYARD BASICS* FABRIC-REINFORCED SURGICAL GOWNS

- SMS Fabric
- Fabric-Reinforced Chest and Sleeves
- Overlapping Back
- Raglan Sleeves
- Low Linting Fabric
- Colour Coded Neck Binding: Green
- Book Fold
- Sterile Gown packaged with 2 Towels
- SMS weight in gram square meter: 40 gsm

CODE	SIZE		LENGTH*	ITEMS/CASE	
	STERILE	NON-STERILE		STERILE	NON-STERILE
13815	-	X-Large, XX-Long	175 cm	32	-

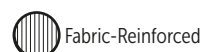
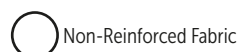


HALYARD BASICS* SURGICAL GOWNS

- SMS Fabric
- Overlapping Back
- Raglan Sleeves
- Low Linting Fabric
- Colour Coded Neck Binding: Yellow
- Book Fold
- Sterile Gown packaged with 2 Towels
- SMS weight in gram square meter: 40 gsm

CODE	SIZE		LENGTH*	ITEMS/CASE	
	STERILE	NON-STERILE		STERILE	NON-STERILE
13337	-	X-Large, XX-Long	175 cm	40	-
-	33916	Large - Towel in Overwrap (handi-bin)	124 cm	-	440
-	33917	X-Large - Towel in Overwrap (handi-bin)	131 cm	-	400
-	32109	Large, X-Long - Towel in Overwrap	145 cm	-	460
-	32113	X-Large, X-Long - Towel in Overwrap	157 cm	-	380

* length back (neck to bottom)



All codes in **bold** indicate a sterile product.

EVOLUTION* 4

EVOLUTION* 4 SURGICAL GOWNS

EVOLUTION* 4 FABRIC-REINFORCED SURGICAL GOWNS

- EVOLUTION* 4 SMS Fabric
- Fabric-Reinforced Chest and Sleeves
- Raglan Sleeves
- Low Linting Fabric
- Colour Coded Neck Binding: Green
- Adjustable Neckline - Hook and Loop
- Book Fold
- Sterile Gown packaged with 2 Towels
- SMS weight in gram square meter: 44 gsm & 34 gsm


CODE	SIZE		LENGTH*	ITEMS/CASE	
	STERILE	NON-STERILE		STERILE	NON-STERILE
90112	78911	Large	123 cm	32	36
90113	78913	Large, X-Long	143 cm	30	54
90142	78921	X-Large	127 cm	30	36
90143	78923	X-Large, X-Long	148 cm	32	48
-	44763	Large, X-Long	145 cm	-	432
-	44764	X-Large, X-Long	151 cm	-	384


EVOLUTION* 4 STANDARD SURGICAL GOWNS


- EVOLUTION* 4 SMS Fabric
- Raglan Sleeves
- Low Linting Fabric
- Colour Coded Neck Binding: Yellow
- Adjustable Neckline - Hook and Loop
- Book Fold
- Sterile Gown packaged with 1 Towel
- SMS weight in gram square meter: 44 gsm

CODE	SIZE		LENGTH*	ITEMS/CASE	
	STERILE	NON-STERILE		STERILE	NON-STERILE
90002	-	Small	115 cm	36	-
90012	79970	Large	123 cm	36	40
90042	79980	X-Large	127 cm	34	36
90013	79973	Large, X-Long	143 cm	34	60
90043	79983	X-Large, X-Long	148 cm	34	48

* length back (neck to bottom)

 Non-Reinforced Fabric

 Fabric-Reinforced

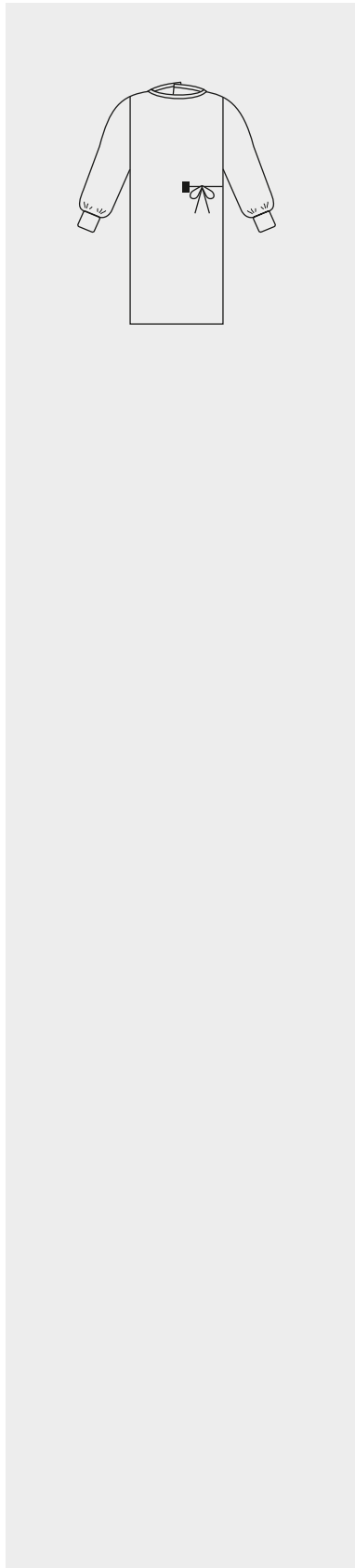
 High Performance Area

All codes in **bold** indicate a sterile product.

See Back Cover for Trademark Information



EVOLUTION* 4 SURGICAL GOWNS

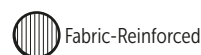


EVOLUTION* 4 SET-IN-SLEEVE SURGICAL GOWNS

- EVOLUTION* 4 SMS Fabric
- Set-In-Sleeves
- Low Linting Fabric
- Colour Coded Neck Binding: Yellow
- Adjustable Neckline – Hook and Loop
- Book Fold
- Sterile Gown packaged with 2 Towels
- SMS weight in gram square meter: 44 gsm

CODE	SIZE		LENGTH*	ITEMS/CASE	
	STERILE	NON-STERILE		STERILE	NON-STERILE
90016	72978	Large	117 cm	36	640
90046	72988	X-Large	127 cm	32	640
90019	70391	Large, X-Long	132 cm	34	66
90049	70392	X-Large, X-Long	137 cm	34	60
-	79419	Large – Towel in Overwrap	111 cm	-	512
-	79434	X-Large – Towel in Overwrap	121 cm	-	448

* length back (neck to bottom)



All codes in **bold** indicate a sterile product.

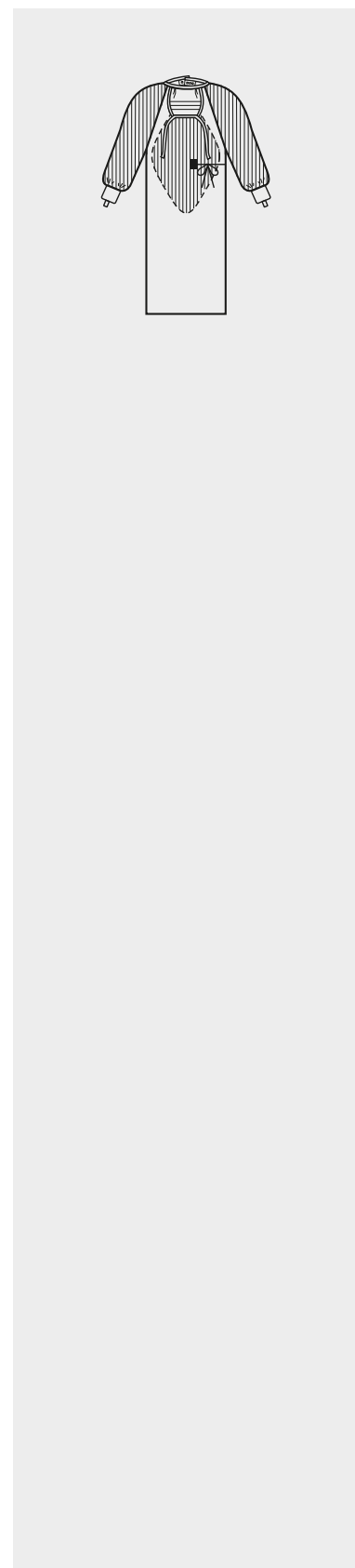
ULTRA

ULTRA SURGICAL GOWNS

ULTRA FABRIC-REINFORCED SURGICAL GOWNS WITH NECK PROTECTION & THUMB LOOPS

- Proprietary 4th Generation SMS Fabric
- Extra Wide Fabric Reinforcements
- Raglan Sleeves
- Low Linting Fabric
- Colour Coded Neck Binding: Green
- Adjustable Neckline – Hook and Loop
- Neck Protection
- Thumb Loops
- Book Fold
- Sterile Gown packaged with 1 Towel
- SMS weight in gram square meter: 50 gsm

CODE		SIZE	LENGTH [†]	ITEMS/CASE	
STERILE	NON-STERILE			STERILE	NON-STERILE
90363	77337	Large, X-Long	143 cm	30	48
90373	77336	X-Large, X-Long	148 cm	28	36



[†] length back (neck to bottom)



Non-Reinforced Fabric



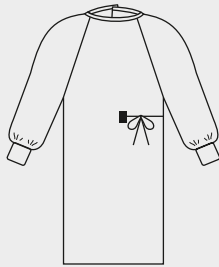
Fabric-Reinforced



High Performance Area

All codes in **bold** indicate a sterile product.

ULTRA SURGICAL GOWNS

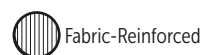


ULTRA SURGICAL GOWNS

- Proprietary 4th Generation SMS Fabric
- Low Linting Fabric
- Raglan Sleeves
- Colour Coded Neck Binding: Yellow
- Adjustable Neckline - Hook and Loop
- Generous Cut
- Book Fold
- Sterile Gown packaged with 2 Towels (Gown **95131** packaged with 1 Towel)
- SMS weight in gram square meter: 50 gsm

CODE	SIZE		LENGTH*	ITEMS/CASE	
	STERILE	NON-STERILE		STERILE	NON-STERILE
95113	-	Large	123 cm	32	40
95123	-	X-Large	128 cm	30	36
95131	71331	XX-Large	135 cm	28	36
95114	71626	Large, X-Long	138 cm	32	60
95124	71627	X-Large, X-Long	144 cm	30	48

* length back (neck to bottom)



All codes in **bold** indicate a sterile product.

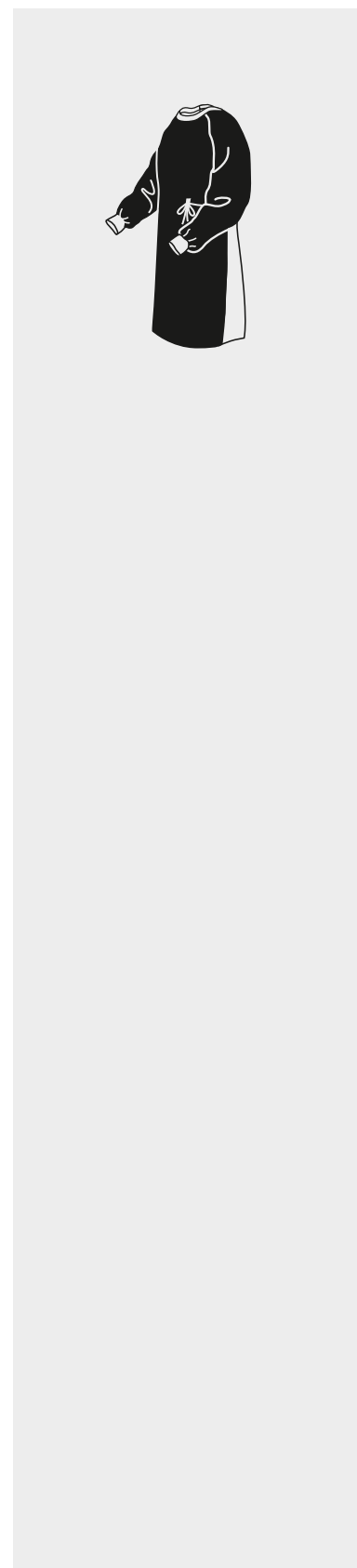
AERO BLUE*

AERO BLUE* SURGICAL GOWNS


AERO BLUE* PERFORMANCE SURGICAL GOWNS


- Breathable Impervious Fabric
- Front Panel: Innovative Cool Shield Core Technology allows moisture vapor to pass through without fluid penetration
- Highly Breathable Back Panel
- Raglan Sleeves
- Low Linting Fabric
- Colour Coded Neck Binding: Red
- Adjustable Neckline - Hook and Loop
- Book fold
- Sterile Gown packaged with 2 Towels
- SMS weight in gram square meter:
 - 49 gsm front and sleeves
 - 35 gsm back


CODE		SIZE	LENGTH*	ITEMS/CASE	
STERILE	NON-STERILE			STERILE	NON-STERILE
41928	41876	Large	125 cm	30	40
41929	41879	X-Large	131 cm	28	32
41930	41933	Large, X-Long	145 cm	30	36
41931	41934	X-Large, X-Long	146 cm	30	32
43942	41882	XX-Large	137 cm	28	32
43939	43623	XX-Large, X-Long	158 cm	28	30



* length back (neck to bottom)

 Non-Reinforced Fabric

 Fabric-Reinforced

 High Performance Area

All codes in **bold** indicate a sterile product.

AERO CHROME*

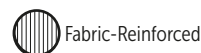
AERO CHROME* SURGICAL GOWNS

AERO CHROME* BREATHABLE PERFORMANCE SURGICAL GOWNS

- Unique stretch properties allow a full range of unrestricted motion without tearing
- Exclusive soft knitted collar design
- Breathable back panel maximises airflow
- Distinctive colour makes it easy to choose the AAMI level 4 protection
- Soft, light and breathable fabric keeps staff protected yet cool and comfortable
- Excellent ignition resistance, with the highest rating for protection against ignition with surgical lasers
- Low linting to help reduce the risk of wound contamination and infection
- Meets the European standard EN13795/2011
- Meets AAMI Level 4 standard for surgical gowns, providing the highest level of fluid and microbial protection in the critical zones
- SMS weight in gram square meter:
 - 55 gsm front and sleeves
 - 35 gsm back

CODE		SIZE	LENGTH*	ITEMS/CASE	
STERILE	NON-STERILE			STERILE	NON-STERILE
44689	44662	Large	125 cm	30	40
44693	44667	Large	145 cm	30	36
44690	44664	X-Large	131 cm	28	32
44694	44668	X-Large	151 cm	30	32
-	44669	XX-Large	137 cm	-	30

* length back (neck to bottom)



All codes in **bold** indicate a sterile product.

STERILISATION WRAP

STERILISATION WRAP

HALYARD* SMART-FOLD* STERILISATION WRAP

HALYARD* SMART-FOLD* H650 STERILISATION WRAP

- Simultaneous (Non-Sequential) Pre-Shaped Wrap
- Triple Reinforcement Zones for Corner Protection
- Specially Designed for Heavier Instrument Trays
- One Application Equivalent to 2 Sheets of Wrap: Dual Colouring
- Low-Lint SMS Fabric
- Steam and EO Compatible
- Compatible with Low Temperature Gas Plasma Sterilisation

CODE	DESCRIPTION	APPLICATIONS/CASE
14271	101 x 119 cm	48

HALYARD* QUICK CHECK* STERILISATION WRAP

HALYARD* QUICK CHECK* H100 STERILISATION WRAP

- Simultaneous (Non-Sequential) Wrap
- One Application Equivalent to 2 Sheets of Wrap: Dual Colouring
- Low-Lint SMS Fabric
- Steam and EO Compatible
- Compatible with Low Temperature Gas Plasma Sterilisation

CODE	DESCRIPTION	APPLICATIONS/CASE
34156	45 x 45 cm	480
34192	50 x 50 cm	480
34178	60 x 60 cm	240
34176	76 x 76 cm	144
34194	91 x 91 cm	144
34200	101 x 101 cm	120
34161	121 x 121 cm	120
34172	137 x 137 cm	96

All codes in **bold** indicate a sterile product.

STERILISATION WRAP

HALYARD* QUICK CHECK* H200 STERILISATION WRAP

- Simultaneous (Non-Sequential) Wrap
- One Application Equivalent to 2 Sheets of Wrap: Dual Colouring
- Low-Lint SMS Fabric
- Steam and EO Compatible
- Compatible with Low Temperature Gas Plasma Sterilisation

CODE	DESCRIPTION	APPLICATIONS/CASE
34167	30 x 30 cm	480
34193	45 x 45 cm	480
34174	60 x 60 cm	240
34175	76 x 76 cm	144
34185	91 x 91 cm	144
34186	101 x 101 cm	120
34149	121 x 121 cm	48
34187	137 x 137 cm	48
34168	137 x 182 cm	48

HALYARD* QUICK CHECK* H300 STERILISATION WRAP

- Simultaneous (Non-Sequential) Wrap
- One Application Equivalent to 2 Sheets of Wrap: Dual Colouring
- Low-Lint SMS Fabric
- Steam and EO Compatible
- Compatible with Low Temperature Gas Plasma Sterilisation

CODE	DESCRIPTION	APPLICATIONS/CASE
34171	60 x 60 cm	240
34173	76 x 76 cm	144
34160	91 x 91 cm	144
34189	101 x 101 cm	96
34159	114 x 114 cm	48
34181	121 x 121 cm	96
34182	137 x 137 cm	48
34190	137 x 182 cm	48

All codes in **bold** indicate a sterile product.

STERILISATION WRAP

HALYARD* QUICK CHECK* H400 STERILISATION WRAP

- Simultaneous (Non-Sequential) Wrap
- One Application Equivalent to 2 Sheets of Wrap: Dual Colouring
- Low-Lint SMS Fabric
- Steam and EO Compatible
- Compatible with Low Temperature Gas Plasma Sterilisation

CODE	DESCRIPTION	APPLICATIONS/CASE
34183	60 x 60 cm	120
34158	91 x 91 cm	72
34184	101 x 101 cm	72
34157	114 x 114 cm	48
34145	121 x 121 cm	48
34146	137 x 137 cm	48
34191	137 x 182 cm	24

HALYARD* QUICK CHECK* H500 STERILISATION WRAP

- Simultaneous (Non-Sequential) Wrap
- One Application Equivalent to 2 Sheets of Wrap: Dual Colouring
- Low-Lint SMS Fabric
- Steam and EO Compatible
- Compatible with Low Temperature Gas Plasma Sterilisation

CODE	DESCRIPTION	APPLICATIONS/CASE
34180	45 x 45 cm	288
34162	60 x 60 cm	120
34165	76 x 76 cm	120
34199	91 x 91 cm	72
34198	114 x 114 cm	48
34148	121 x 121 cm	48
34143	137 x 137 cm	48
34195	137 x 182 cm	24

All codes in **bold** indicate a sterile product.

STERILISATION WRAP

HALYARD ONE-STEP* STERILISATION WRAP

HALYARD ONE-STEP* H100 STERILISATION WRAP

- Simultaneous (Non-Sequential) Wrap
- One Application Equivalent to 2 Sheets of Wrap
- Low-Lint SMS Fabric
- Steam and EO Compatible
- Compatible with Low Temperature Gas Plasma Sterilisation

CODE	DESCRIPTION	APPLICATIONS/CASE
12720	50 x 50 cm	480
12724	60 x 60 cm	240
12730	76 x 76 cm	144
12736	91 x 91 cm	144
12740	101 x 101 cm	120
12745	114 x 114 cm	120
12748	121 x 121 cm	120
12754	137 x 137 cm	96

HALYARD ONE-STEP* H200 STERILISATION WRAP

- Simultaneous (Non-Sequential) Wrap
- One Application Equivalent to 2 Sheets of Wrap
- Low-Lint SMS Fabric
- Steam and EO Compatible
- Compatible with Low Temperature Gas Plasma Sterilisation

CODE	DESCRIPTION	APPLICATIONS/CASE
62018	45 x 45 cm	480
62024	60 x 60 cm	240
62030	76 x 76 cm	144
62036	91 x 91 cm	144
62040	101 x 101 cm	120
62048	121 x 121 cm	48
62054	137 x 137 cm	48
62072	137 x 182 cm	48

All codes in **bold** indicate a sterile product.

STERILISATION WRAP

HALYARD ONE-STEP* H300 STERILISATION WRAP

- Simultaneous (Non-Sequential) Wrap
- One Application Equivalent to 2 Sheets of Wrap
- Low-Lint SMS Fabric
- Steam and EO Compatible
- Compatible with Low Temperature Gas Plasma Sterilisation

CODE	DESCRIPTION	APPLICATIONS/CASE
12824	60 x 60 cm	240
12830	76 x 76 cm	144
12836	91 x 91 cm	144
12840	101 x 101 cm	96
12845	114 x 114 cm	48
12848	121 x 121 cm	96
12854	137 x 137 cm	48
12872	137 x 182 cm	48

HALYARD ONE-STEP* H400 STERILISATION WRAP

- Simultaneous (Non-Sequential) Wrap
- One Application Equivalent to 2 Sheets of Wrap
- Low-Lint SMS Fabric
- Steam and EO Compatible
- Compatible with Low Temperature Gas Plasma Sterilisation

CODE	DESCRIPTION	APPLICATIONS/CASE
62224	60 x 60 cm	120
62236	91 x 91 cm	72
62240	101 x 101 cm	72
62245	114 x 114 cm	48
62248	121 x 121 cm	24
62254	137 x 137 cm	24
62272	137 x 182 cm	24

All codes in **bold** indicate a sterile product.

STERILISATION WRAP

HALYARD ONE-STEP* H500 STERILISATION WRAP

- Simultaneous (Non-Sequential) Wrap
- One Application Equivalent to 2 Sheets of Wrap
- Low-Lint SMS Fabric
- Steam and EO Compatible
- Compatible with Low Temperature Gas Plasma Sterilisation

CODE	DESCRIPTION	APPLICATIONS/CASE
62124	60 x 60 cm	120
62130	76 x 76 cm	120
62136	91 x 91 cm	72
62145	114 x 114 cm	48
62148	121 x 121 cm	24
62154	137 x 137 cm	24
62172	137 x 182 cm	24

HALYARD* QUICK CHECK INTERLEAVED* STERILISATION WRAP

HALYARD* QUICK CHECK INTERLEAVED* STERILISATION WRAP H200

- Sequential wrap with dual colouring: alternating sheets blue and white, non-bonded
- Low-lint SMS Fabric
- Steam and EO compatible
- Compatible with Low Temperature Gas Plasma Sterilisation

CODE	DESCRIPTION	SHEETS/CASE
46972	60 x 60 cm	480
46973	76 x 76 cm	288
46974	91 x 91 cm	288
46989	101 x 101 cm	240
46985	121 x 121 cm	96

All codes in **bold** indicate a sterile product.

STERILISATION WRAP

HALYARD* QUICK CHECK INTERLEAVED* STERILISATION WRAP H300

- Sequential wrap with dual colouring: alternating sheets blue and white, non-bonded
- Low-lint SMS Fabric
- Steam and EO compatible
- Compatible with Low Temperature Gas Plasma Sterilisation

CODE	DESCRIPTION	SHEETS/CASE
46978	91 x 91 cm	288
46979	101 x 101 cm	240
46982	121 x 121 cm	96
46984	137 x 137 cm	96

HALYARD* QUICK CHECK INTERLEAVED* STERILISATION WRAP H400

- Sequential wrap with dual colouring: alternating sheets blue and white, non-bonded
- Low-lint SMS Fabric
- Steam and EO compatible
- Compatible with Low Temperature Gas Plasma Sterilisation

CODE	DESCRIPTION	SHEETS/CASE
46995	101 x 101 cm	144
46996	121 x 121 cm	48

HALYARD* QUICK CHECK INTERLEAVED* STERILISATION WRAP H500

- Sequential wrap with dual colouring: alternating sheets blue and white, non-bonded
- Low-lint SMS Fabric
- Steam and EO compatible
- Compatible with Low Temperature Gas Plasma Sterilisation

CODE	DESCRIPTION	SHEETS/CASE
46994	114 x 114 cm	144
46997	121 x 121 cm	48
46998	137 x 137 cm	48

All codes in **bold** indicate a sterile product.

STERILISATION WRAP

HALYARD* SEQUENTIAL STERILISATION WRAP

HALYARD* SEQUENTIAL STERILISATION WRAP H100

- Sequential Wrap
- Low-Lint SMS Fabric
- Steam and EO Compatible
- Compatible with Low Temperature Gas Plasma Sterilisation

CODE	DESCRIPTION	SHEETS/CASE
10712	30 x 30 cm	1000
10715	38 x 38 cm	1000
10718	45 x 45 cm	1000
10720	50 x 50 cm	1000
10724	60 x 60 cm	500
10730	76 x 76 cm	300
10736	91 x 91 cm	300
10740	101 x 101 cm	250
10745	114 x 114 cm	250
10748	121 x 121 cm	250
10754	137 x 137 cm	100
10772	137 x 182 cm	100

HALYARD* SEQUENTIAL STERILISATION WRAP H200

- Sequential Wrap
- Low-Lint SMS Fabric
- Steam and EO Compatible
- Compatible with Low Temperature Gas Plasma Sterilisation

CODE	DESCRIPTION	SHEETS/CASE
68018	45 x 45 cm	1000
68024	60 x 60 cm	500
68030	76 x 76 cm	300
68036	91 x 91 cm	300
68040	101 x 101 cm	250
68048	121 x 121 cm	100
68054	137 x 137 cm	100
68072	137 x 182 cm	100

All codes in **bold** indicate a sterile product.

STERILISATION WRAP

HALYARD* SEQUENTIAL STERILISATION WRAP H300

- Sequential Wrap
- Low-Lint SMS Fabric
- Steam and EO Compatible
- Compatible with Low Temperature Gas Plasma Sterilisation

CODE	DESCRIPTION	SHEETS/CASE
10824	60 x 60 cm	500
10830	76 x 76 cm	300
10836	91 x 91 cm	300
10840	101 x 101 cm	250
10845	114 x 114 cm	100
10848	121 x 121 cm	100
10854	137 x 137 cm	100

HALYARD* SEQUENTIAL STERILISATION WRAP H400

- Sequential Wrap
- Low-Lint SMS Fabric
- Steam and EO Compatible
- Compatible with Low Temperature Gas Plasma Sterilisation

CODE	DESCRIPTION	SHEETS/CASE
68218	45 x 45 cm	600
68224	60 x 60 cm	250
68230	76 x 76 cm	200
68236	91 x 91 cm	150
68240	101 x 101 cm	150
68245	114 x 114 cm	100
68248	121 x 121 cm	50
68254	137 x 137 cm	50
68272	137 x 182 cm	50

All codes in **bold** indicate a sterile product.

STERILISATION WRAP

HALYARD* SEQUENTIAL STERILISATION WRAP H500

- Sequential Wrap
- Low-Lint SMS Fabric
- Steam and EO Compatible
- Compatible with Low Temperature Gas Plasma Sterilisation

CODE	DESCRIPTION	SHEETS/CASE
68124	60 x 60 cm	250
68130	76 x 76 cm	250
68136	91 x 91 cm	150
68145	114 x 114 cm	100
68148	121 x 121 cm	50
68154	137 x 137 cm	50
68172	137 x 182 cm	50
68190	137 x 228 cm	50

All codes in **bold** indicate a sterile product.

OTHER STERILISATION PRODUCTS

OTHER STERILISATION PRODUCTS

TRAY LINERS / TOWELS AND CONTAINER FILTERS

CODE	DESCRIPTION	ITEMS/ PACKAGE	PACKAGES/ CASE	ITEMS/ CASE
10502	HALYARD* Absorbent Tray Liners / Towels, 51 x 64 cm	50	8	400
68507	HALYARD* Container Filters, 19 cm, Round	250	4	1000
68509	HALYARD* Container Filters, 23 x 23 cm, Square	250	4	1000

TRANSPORT CARPET, 280 (W) X 540 (D) X 3 (H) MM

The HALYARD* Silicon Transport Carpet will protect sterilised packaging mainly by focusing as a buffer and by preventing holes that are created through friction and abrasion.

CODE	DESCRIPTION	ITEMS/CASE
B0001	Transport Carpet, 280 (W) x 540 (D) x 3 (H) mm	100

All codes in **bold** indicate a sterile product.

INDEX BY CODE

CODE	PAGE	CODE	PAGE	CODE	PAGE	CODE	PAGE
10502	121	13815	104	34176	111	42367	97
10712	118	14007	96	34178	111	42409	97
10715	118	14271	111	34180	113	42428	9, 10, 11, 13, 18, 19, 20, 37, 38, 40, 41, 43, 47, 57, 58, 59, 60, 61, 66, 67, 73, 90, 93, 97
10718	118	14364	23	34181	112	42446	21, 97
10720	118	14365	23	34182	112	42447	13, 66, 97
10724	118	29148	89	34183	113	42448	61, 97
10730	118	29149	89	34184	113	42449	46, 97
10736	118	29219	51	34185	112	42451	12, 13, 15, 16, 18, 19, 21, 37, 41, 42, 44, 46, 47, 48, 74, 78, 79, 91, 92, 97
10740	118	29220	51	34186	112	42480	97
10745	118	29221	56	34187	112	42481	97
10748	118	29223	52	34189	112	43623	109
10754	118	29224	56	34190	112	43939	109
10772	118	29225	86	34191	113	43942	109
10824	119	29226	86	34192	111	44591	100
10830	119	29227	86	34193	112	44662	110
10836	119	29228		34194	111	44664	110
10840	119	29229	86	34195	113	44667	110
10845	119	29231	86	34198	113	44668	110
10848	119	32109	104	34199	113	44669	110
10854	119	32113	104	34200	111	44689	110
12720	114	33412	55	41876	109	44690	110
12724	114	33415	55	41879	109	44693	110
12730	114	33916	104	41882	109	44694	110
12736	114	33917	104	41928	109	44763	105
12740	114	34143	113	41929	109	44764	105
12745	114	34145	113	41930	109	46665	103
12748	114	34146	113	41931	109	46666	103
12754	114	34148	113	41933	109	46667	103
12824	115	34149	112	41934	109	46668	103
12830	115	34156	111	42217	61, 97	46669	103
12836	115	34157	113	42222	9, 10, 11, 13, 18, 19, 20, 37, 38, 40, 41, 43, 47, 57, 58, 59, 60, 61, 66, 67, 73, 90, 93, 97	46670	103
12840	115	34158	113	42224	12, 15, 19, 42, 44, 46, 47, 48, 74, 78, 79, 91, 97	46671	103
12845	115	34159	112	42228	97	46672	103
12848	115	34160	112	42302	62, 97	46673	103
12854	115	34161	111	42309	97	46674	103
12872	115	34162	113	42312	42, 45, 69, 78, 97	46675	103
13227	37, 38, 53	34165	113	42313	42, 45, 69, 78, 97	46676	103
13228	51	34167	112	42345	38, 45, 59, 74, 78, 79, 97	46677	103
13231	25	34168	112	42365	59, 74, 97	46678	103
13232	41, 43, 51	34171	112	42366	97		
13233	42, 51	34172	111				
13294	48	34173	112				
13296	84	34174	112				
13337	104	34175	112				

INDEX BY CODE

CODE	PAGE	CODE	PAGE	CODE	PAGE	CODE	PAGE
46679	103	62224	115	76226	38	76885	67, 68
46680	103	62236	115	76234	74	76888	60, 63
46972	116	62240	115	76243	21	77336	107
46973	116	62245	115	76246	42	77337	107
46974	116	62248	115	76248	79	77353	58, 64
46978	117	62254	115	76249	45	77382	87, 95
46979	117	62272	115	76250	76	77450	37, 38, 53
46982	117	68018	118	76263	20	77452	96
46984	117	68024	118	76270	101	77454	57
46985	116	68030	118	76271	45	77455	57
46989	116	68036	118	76291	18, 33	77466	77
46994	117	68040	118	76293	33	77491	58
46995	117	68048	118	76300	69, 100	77492	59
46996	117	68054	118	76321	72	77707	72
46997	117	68072	118	76323	30, 74	77717	19, 93
46998	117	68124	120	76334	102	77723	54
47281	103	68130	120	76340	78, 102	77744	69
47282	103	68136	120	76346	72	77748	78
47283	103	68145	120	76353	58, 64	77749	78
47284	103	68148	120	76354	83	77760	69
47285	103	68154	120	76356	18, 78, 83	77766	21
47286	103	68172	120	76357	78, 82	77769	16
47287	103	68190	120	76358	96	77771	80
47288	103	68218	119	76361	15, 16, 25, 92	77772	13
59705	30	68224	119	76363	11, 15, 16, 26, 44, 92	77776	87
59706	41	68230	119	76364	16, 35	77779	61
59707	37	68236	119	76365	11, 13, 29	77780	18
59709	18	68240	119	76366	13, 27	77781	37
59710	72	68245	119	76367	13, 30	77783	38
62018	114	68248	119	76368	25, 44, 47	77784	43
62024	114	68254	119	76372	97	77785	43
62030	114	68272	119	76374	19	77790	41
62036	114	68507	121	76375	54	77792	20
62040	114	68509	121	76377	20, 36	77794	15, 92
62048	114	70391	106	76378	78, 82	77797	44
62054	114	70392	106	76380	20, 34	77798	41
62072	114	71331	108	76382	87, 95	77823	73
62124	116	71626	108	76384	61, 65	77853	16, 92
62130	116	71627	108	76386	87	77865	59
62136	116	72978	106	76393	72	77870	80
62145	116	72988	106	76394	57, 58, 59, 95	77873	72
62148	116	76209	74	76396	77	77880	13
62154	116	76214	69, 100	76492	18, 33	77881	40
62172	116	76216	19	76681	87	77883	96

INDEX BY CODE

CODE	PAGE	CODE	PAGE	CODE	PAGE	CODE	PAGE
77885	67	79279	40, 41, 50	79675	53	88253	46
77888	60	79282	34	79692	23	88354	58
77890	60	79293	21, 32	79693	24	88373	47
77892	79	79294	104	79694	31, 37, 38, 39	88511	61
78660	49	79295	104	79696	31	88521	61
78669	14, 17, 19, 37, 38, 39, 40, 67, 97	79304	69, 70	79697	99	88551	62
78911	105	79305	70	79699	32, 62	88611	66
78913	105	79313	32, 78	79704	83	88621	66
78921	105	79330	42, 44, 48, 49	79705	84	88672	14, 17, 38, 39, 40, 96
78923	105	79333	46, 47, 50	79706	84	88673	14, 17, 19, 37, 38, 39, 40, 67, 97
78961	11, 13, 47, 78	79343	33	79720	9, 10, 11, 12, 13, 15, 16, 18, 19, 21, 37, 41, 45, 47, 48, 57, 58, 59, 60, 61, 62, 66, 67, 69, 78, 79, 90, 91, 92, 93, 100	88760	11
78965	33	79345	46, 54	79731	34, 61, 62	88762	9, 90
79010	12, 30, 91	79346	46, 54	79741	62, 93, 97	88763	9, 90
79011	12, 28, 91	79348	45, 48, 49	79742	67, 68	88764	10
79012	12, 28, 91	79351	73, 74, 75	79744	72	88765	10
79053	9, 10, 11, 12, 13, 16, 19, 37, 38, 41, 42, 43, 44, 45, 58, 78, 79, 90, 91, 92, 93, 101	79356	71	79745	19, 24	88767	11
79063	85	79360	18, 26, 45, 79	79749	85	88900	14
79070	52	79363	25, 45	79782	31	88901	14
79075	77	79368	86	79783	33, 67, 93	88902	17
79102	31, 40, 43, 47, 61, 69, 79	79375	26	79784	24	88904	17
79109	79, 85	79408	59, 61, 62, 66, 100	79787	14, 27	88907	40
79111	31	79411	59, 98	79788	33, 67, 93	88908	40
79122	18, 31, 38, 42	79415	98	79789	28	88909	39
79132	32	79419	106	79790	14, 17, 30	88910	38
79206	22, 94	79430	73, 74, 75	79861	43, 99	88911	62
79207	22, 94	79434	106	79881	44, 45, 99	89010	75
79208	22, 94	79453	18, 81	79945	13, 69, 79, 101	89048	79, 85
79209	22	79466	81	79970	38, 105	89053	9, 10, 11, 12, 13, 16, 19, 37, 38, 41, 42, 43, 44, 45, 58, 78, 79, 90, 91, 92, 93, 101
79214	9, 27, 90	79492	53	79973	19, 69, 105	89062	77
79215	9, 29, 90	79528	57, 59, 63	79980	105	89070	52
79216	10, 28	79529	57, 58, 63	79983	21, 38, 105	89101	31, 40, 43, 47, 61, 69, 79
79217	10, 27	79532	17, 26	86357	78, 82	89121	18, 31, 38, 42
79218	10, 29	79540	66	88100	12, 91	89206	22, 94
79222	36	79543	75	88103	12, 91	89207	22, 94
79223	36	79545	66, 68	88113	15	89208	22, 94
79236	35, 95	79551	62	88183	46	89209	22
79265	55	79582	83	88203	42	89236	35, 95
79267	44, 55	79583	87	88213	44	89251	36
79273	37, 52	79601	38, 96	88223	73	89265	55
79275	47, 49	79602	96	88233	48	89267	44, 55
		79603	9, 10, 11, 12, 13, 15, 16, 18, 19, 20, 41, 42, 43, 44, 45, 46, 47, 48, 58, 59, 60, 73, 78, 79, 90, 91, 92, 96	88243	47		

INDEX BY CODE

CODE	PAGE	CODE	PAGE	CODE	PAGE	CODE	PAGE
89271	37, 52	89672	31, 37, 38, 39	95114	108	QW034602	102
89275	47, 49	89673	39, 53	95123	108	QW102302	102
89276	51	89674	31	95124	108		
89278	42, 51	89675	99	95131	108		
89279	40, 41, 50	89676	33	99294	104		
89282	34	89677	32, 62	99295	104		
89291	50	89678	31	B0001	121		
89293	32	89679	33, 67, 93	K103502	96		
89301	25	89680	24	K103600	96		
89304	69, 70	89681	67	K790790	25		
89305	70	89682	93	K791412	26		
89311	25, 45	89684	37	K792015	24, 82		
89313	32, 78	89685	39	K792130	29		
89331	42, 44, 48, 49	89686	19	K792245	35		
89343	33	89687	39	K792246	35		
89345	46, 54	89701	9, 10, 11, 12, 13, 15, 16, 18, 19, 21, 37, 41, 45, 47, 48, 57, 58, 59, 60, 61, 62, 66, 67, 69, 78, 79, 90, 91, 92, 93, 100	K792610	23		
89346	46, 54	89704	83	K793040	70		
89348	45, 48, 49	89705	84	K793043	70		
89352	73, 74, 75	89706	84	K793050	71		
89353	30, 74	89791	101	K793210	50		
89363	21, 32	89811	42, 99	K793630	25		
89368	86	89821	44, 46, 99	K793703	27		
89381	18, 26, 45, 79	89861	43, 99	K794513	82		
89408	59, 61, 62, 66, 100	89881	44, 45, 99	K794530	81		
89411	61, 98	89945	13, 69, 79, 101	K795610	28		
89413	98	90002	105	K795805	29, 93		
89415	98	90012	38, 105	K795830	88		
89452	81	90013	19, 69, 105	K796011	96		
89471	85	90016	106	K796012	96		
89492	53	90019	106	K797064	88		
89528	57, 59, 63	90042	105	K797065	84		
89529	57, 58, 63	90043	21, 38, 105	K797067	88		
89543	75	90046	106	K797162	88		
89583	87	90049	106	K797213	64		
89584	62, 98	90112	105	K797215	64		
89601	38, 96	90113	105	K797310	34		
89603	9, 10, 11, 12, 13, 15, 16, 18, 19, 20, 41, 42, 43, 44, 45, 46, 47, 48, 58, 59, 60, 73, 78, 79, 90, 91, 92, 96	90142	105	K887603	14		
89632	62, 93, 97	90143	105	K892245	35		
89638	23	90363	107	K892246	35		
89670	23	90373	107	K894530	81		
89671	24	95113	108	K897213	64		
				K897215	64		
				K897312	34		
				QW030202	102		

NOTES

Lined area for notes with horizontal dotted lines.

Halyard, now part of the Owens & Minor family, is focused on advancing health and healthcare by delivering clinically-superior infection prevention and surgical solutions. Halyard sells its recognised sterilisation wrap, facial protection, gloves, protective apparel, surgical drapes and gowns in more than 100 countries, and holds leading market positions across the portfolio. For more information, visit www.halyardhealth.co.uk.

For more information, please contact your Halyard Customer Care Team:

UK & IE (toll-free)

Tel: 0800 085 82 04 - Fax: 0800 066 91 06
customerservice.uk.ie@hyh.com

BE (toll-free)

Tel: 0800 890 13 - Fax: 0800 117 33
customerservice.bnl@hyh.com

LUX (toll-free)

Tel: 0800 852 66 - Fax: 0800 266 56
serviceclients@hyh.com

NL (toll-free)

Tel: 0800 020 17 33 - Fax: 0800 022 75 49
customerservice.bnl@hyh.com

FR (toll-free)

Tel: 0805 54 27 51 - Fax: 0805 37 36 12
serviceclients@hyh.com

DE (toll-free)

Tel: 0800 071 35 52 - Fax: 0800 100 68 14
kundendienst@hyh.com

South Africa (toll-free)

Tel: 0801 111 332 - Fax: 0801 111 335
customerservice.za@hyh.com

Other countries

Tel: +32 2 585 51 14 - Fax: +32 2 897 00 95
customerservice.export@hyh.com

